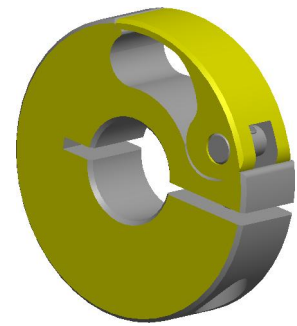
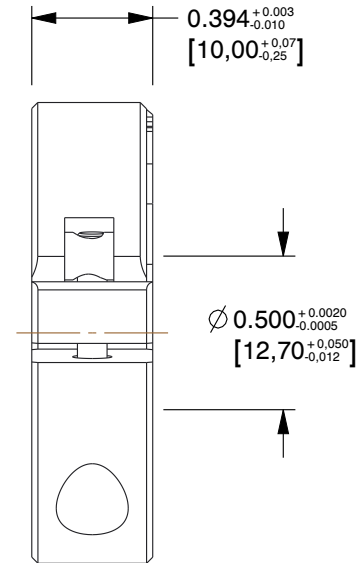


M3 Forged Cap Screws
2.5 mm Hex Wrench Size
3 Nm Seating Torque



NOTES:

1. Conflict Minerals, RoHS2 and REACH compliant
2. Weight : 0.056 lbs
3. Material : 6061-T651 Aluminum Body, 6063-T651 Aluminum Handle
4. Type II Sulfuric Black Anodized
5. MPN : Ruland QCL-8-A
6. All Drawing Dimensions are in Inches [in mm]

COMPONENT	Shaft Collars
------------------	---------------

GRAINGER
 100 Grainger Parkway, Lake Forest, Illinois 60045-5201
 1-(800) GRAINGER, 1-(800) 472-4643, (847) 535-1000
 www.grainger.com

This file and any associated information and specifications are provided for reference and evaluation purposes only, and is subject to change without notice. Grainger makes no representations, warranties or guarantees as to the appropriateness, accuracy, completeness, or suitability for any purpose, of the file, information or specifications. You are solely responsible for the use of the file, information or specifications.

This drawing is the property of GRAINGER. It contains confidential, proprietary information that is GRAINGER property. Do not disclose to or duplicate for others except as authorized by GRAINGER.

SCALE 1.60

5DFH2

Shaft Collar, Quick Clamp, 1Pc, 1/2 In, Alum

UNIT	INCH
SHEET	1 of 1