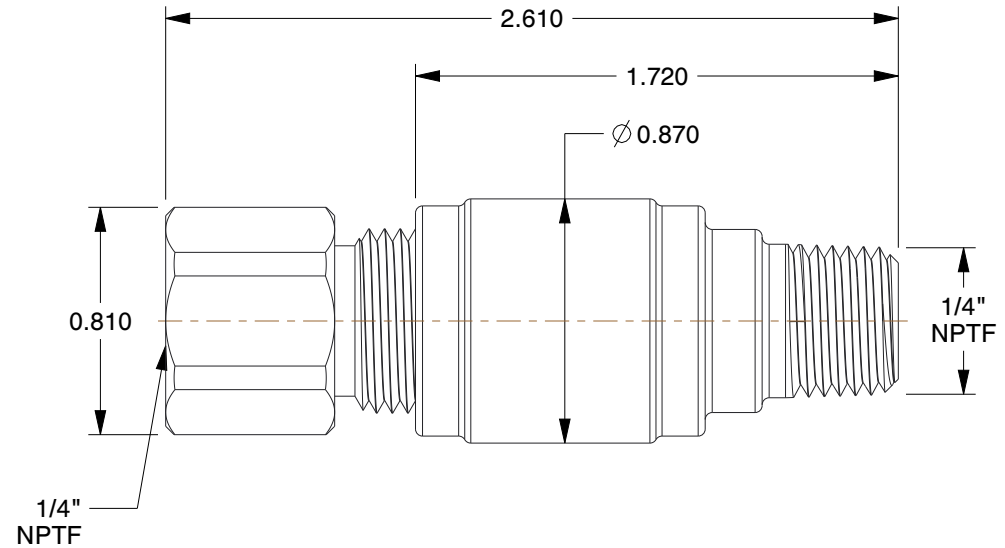
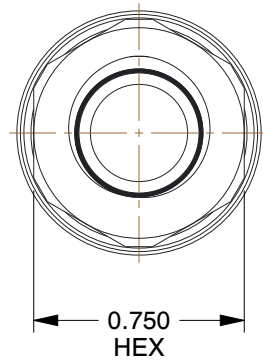




Max. Pressure	10,000 psi	For Use With	Hydraulic Systems
Connection Type	NPTF	Coupler Finish	Plain
Coupler Flow Rate	2.0 gpm	Sleeve Material	Steel
Coupler Thread Size	1/4"-18	Locking Mechanism	Threaded
Coupler Body Material	Steel	Coupler Connection Type	NPTF



NOTES:

- SERIES: Standard
- VALVE DESIGN: Regular
- ITEM: Hydraulic Coupler Set
- INCLUDES: Female steel dust cap
- OPERATING TEMP. RANGE: -25° to 375°F
- COUPLER INTERCHANGE TYPE: Enerpac Regular
- QUICK COUPLER TYPE: Hydraulic Coupler Set

COMPONENT	Hydraulic Quick Couplers
------------------	--------------------------



100 Grainger Parkway, Lake Forest, Illinois 60045-5201
 1-(800) GRAINGER, 1-(800) 472-4643, (847) 535-1000
 www.grainger.com

This file and any associated information and specifications are provided for reference and evaluation purposes only, and is subject to change without notice. Grainger makes no representations, warranties or guarantees as to the appropriateness, accuracy, completeness, or suitability for any purpose, of the file, information or specifications. You are solely responsible for the use of the file, information or specifications.

This drawing is the property of GRAINGER. It contains confidential, proprietary information that is GRAINGER property. Do not disclose to or duplicate for others except as authorized by GRAINGER.

SCALE 1.46

<h1>4YDU9</h1> <p>Coupler Set, 1/4-18, Body, Steel</p>	UNIT
	INCH
	SHEET
	1 of 1