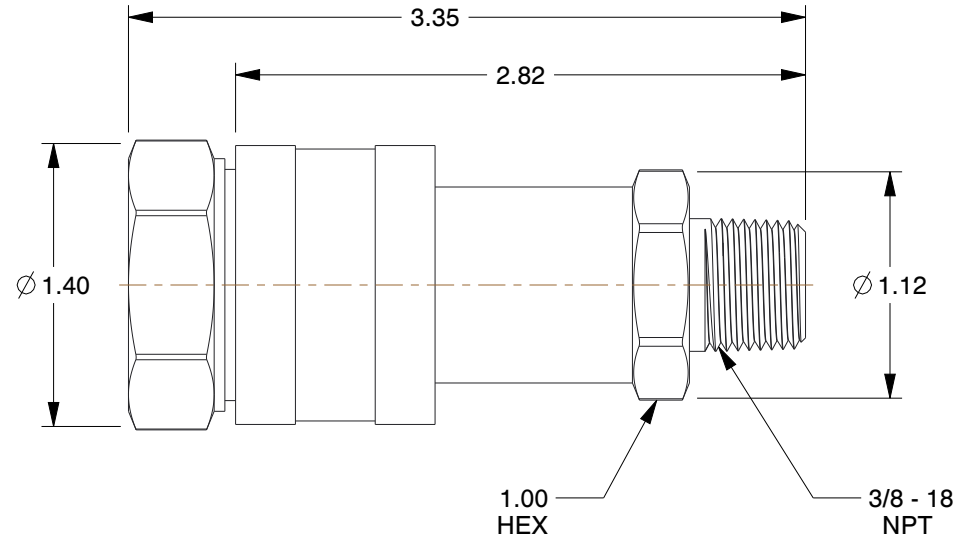
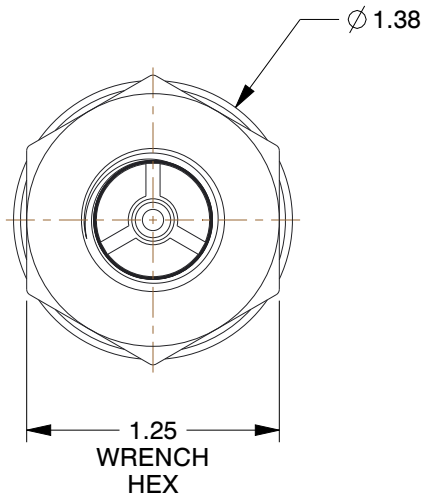




|               |               |                       |                |
|---------------|---------------|-----------------------|----------------|
| Series        | 30            | Sleeve Material       | Steel          |
| Shut Off      | Double        | Coupler Body Size     | 3/8"           |
| Seal Type     | Captive Valve | Coupler Flow Rate     | 6.0 gpm        |
| Valve Design  | Poppet        | Locking Mechanism     | Screw Together |
| Seal Material | Buna          | Coupler Thread Size   | 3/8"-18        |
| Max. Pressure | 10,000 psi    | Coupler Body Material | Steel          |



NOTES:

- ITEM: Hydraulic Coupler Set
- COUPLER INTERCHANGE TYPE: S30
- PARKER INTERCHANGE: 3010-3 & 3050-3
- OPERATING TEMP. RANGE: -40° to 250°F
- COUPLER FINISH: Trivalent Chromium Zinc
- QUICK COUPLER TYPE: Hydraulic Coupler Set
- COUPLER CONNECTION TYPE: FNPT and MNPT
- FOR USE WITH: Pumps and Cylinders at 10,000 psi
- HANSEN INTERCHANGE: WA 56527 00 & WA 56524 00

|           |                          |
|-----------|--------------------------|
| COMPONENT | Hydraulic Quick Couplers |
|-----------|--------------------------|



100 Grainger Parkway, Lake Forest, Illinois 60045-5201  
 1-(800) GRAINGER, 1-(800) 472-4643, (847) 535-1000  
 www.grainger.com

This file and any associated information and specifications are provided for reference and evaluation purposes only, and is subject to change without notice. Grainger makes no representations, warranties or guarantees as to the appropriateness, accuracy, completeness, or suitability for any purpose, of the file, information or specifications. You are solely responsible for the use of the file, information or specifications.

This drawing is the property of GRAINGER. It contains confidential, proprietary information that is GRAINGER property. Do not disclose to or duplicate for others except as authorized by GRAINGER.

|       |      |
|-------|------|
| SCALE | 1.05 |
|-------|------|

|  |        |
|--|--------|
| <h1>2F769</h1> <p>Coupler Set, 3/8-18, 3/8 In. Body, Steel</p> | UNIT   |
|  | INCH   |
|  | SHEET  |
|  | 1 of 1 |