

"QUALITY PUMPS SINCE 1939"

Product information presented here reflects conditions at time of publication. Consult factory regarding discrepancies or inconsistencies.

ZOELLER
PUMP CO.



SECTION: 2.60.107

FM2522

0413

Supersedes

0109

MAIL TO: P.O. BOX 16347 • Louisville, KY 40256-0347
SHIP TO: 3649 Cane Run Road • Louisville, KY 40211-1961
(502) 778-2731 • 1 (800) 928-PUMP • FAX (502) 774-3624

visit our web site:
www.zoeller.com

COMPARE THESE FEATURES

- Cast iron motor & pump housing with corrosion-resistant powder coated epoxy finish
- Motor - 60 Hz, oil-filled, hermetically sealed, automatic reset thermal overload protected
- Permanently lubricated upper and lower bearings
- Stainless steel screws and handle
- No sheet metal parts to rust or corrode
- No screens to clog
- Glass-filled, engineered plastic non-clogging vortex impeller with metal insert
- Watertight neoprene "□" ring between motor and pump housing
- 20 ft. UL Listed power cord with molded 3-wire plug
- Silicon Carbide/Carbon shaft seal
- Entire unit pressure tested after assembly
- Maximum temperature for effluent or dewatering—130°F (54°C)
- 1½" NPT Discharge

COMPLETELY SUBMERSIBLE HERMETICALLY SEALED

Watertight - dust tight

ZOELLER
PUMP CO.

Manufacturers of . . .

"QUALITY PUMPS SINCE 1939"

371, 372 & 373 SERIES

(For Pump Prefix Identification see News & Views 0052)

CONTINUOUS DUTY

"EVAPORATIVE COOLING PUMPS"

SUBMERSIBLE PUMPS FOR DEWATERING

OR

EFFLUENT EVAPORATIVE COOLING
PUMPS FOR POULTRY APPLICATIONS

Model 373
Shown

POWDER
COATED
TOUGH™



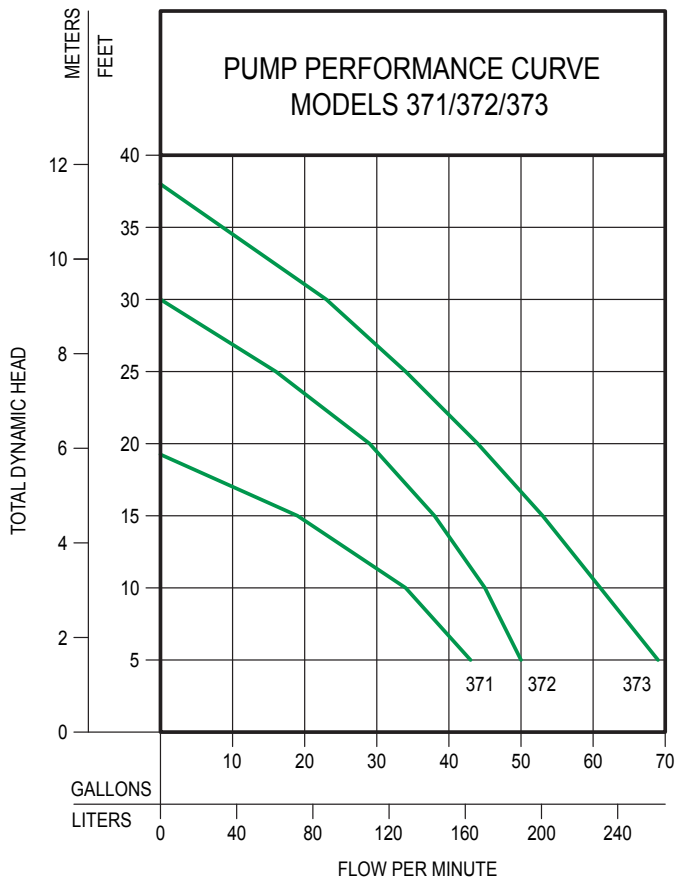
VORTEX TYPE IMPELLER



MODELS AVAILABLE

- "371" - .3 HP, 115V or 230V 1 Ph, 1550 RPM
- "372" - 1/3 HP, 115V or 230V 1 Ph, 3450 RPM
- "373" - .4 HP, 115V or 230V 1 Ph, 3450 RPM





019748

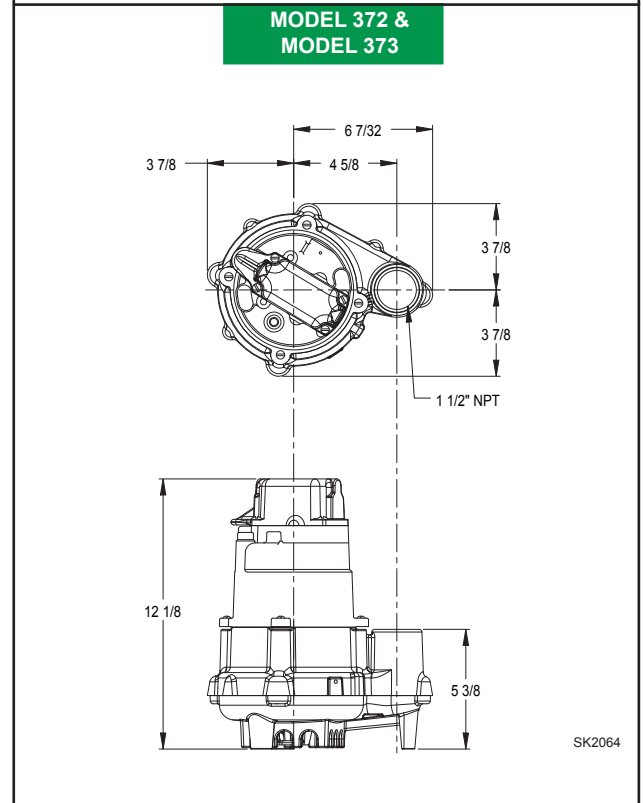
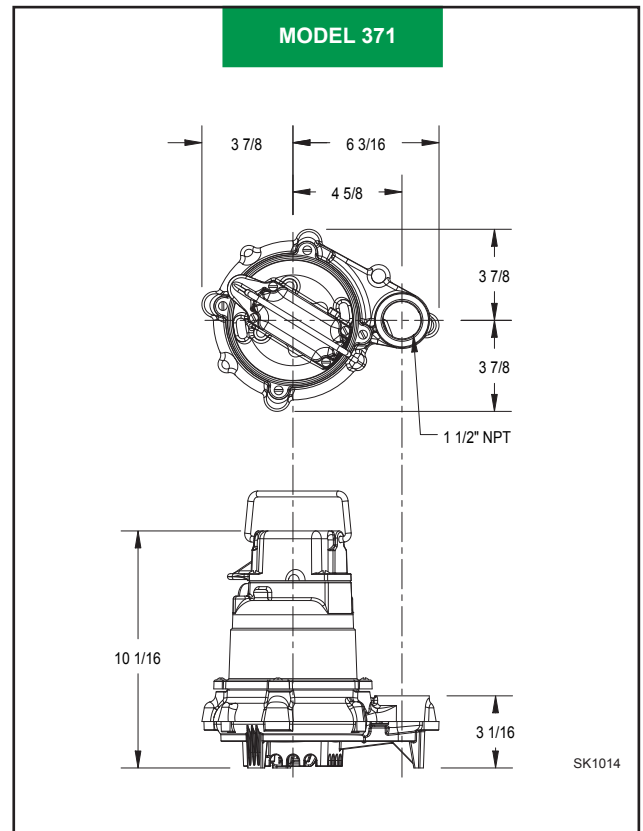
**TOTAL DYNAMIC HEAD/FLOW
PER MINUTE
EFFLUENT AND DEWATERING**

MODEL		371		372		373	
Feet	Meters	Gal.	Liters	Gal.	Liters	Gal.	Liters
5	1.5	43	163	50	189	69	261
10	3.0	34	129	45	170	61	231
15	4.6	19	72	38	144	53	201
20	6.1	--	--	29	110	44	167
25	7.6	--	--	16	61	34	129
30	9.1	--	--	--	--	23	87
Shut-off Head:		19.25 ft (5.9 m)		30 ft (9.1 m)		38 ft (11.6 m)	

Single Seal Part No.	Control Selection			
	Volts	Phase	Mode	Amps
371-0002	115	1	Nonautomatic	9.7
371-0004	230	1	Nonautomatic	4.8
372-0002	115	1	Nonautomatic	6.0
372-0004	230	1	Nonautomatic	3.2
373-0002	115	1	Nonautomatic	8.5
373-0004	230	1	Nonautomatic	4.3

▲ CAUTION

All installation of controls, protection devices and wiring should be done by a qualified licensed electrician. All electrical and safety codes should be followed including the most recent National Electrical Code (NEC) and the Occupational Safety and Health Act (OSHA).



For information on additional Zoeller products refer to catalog on Piggyback Variable Level Float Switches, FM0477; Electrical Alternator, FM0486; Mechanical Alternator, FM0495; Sump/Sewage Basins, FM0487; and Single Phase Simplex Pump Control/Alarm Systems, FM0732.

RESERVE POWERED DESIGN

For unusual conditions a reserve safety factor is engineered into the design of every Zoeller pump.