

Product information presented here reflects conditions at time of publication. Consult factory regarding discrepancies or inconsistencies.

visit our web site:
www.zoeller.com

REPLACEMENT PARTS LIST FOR MODELS:

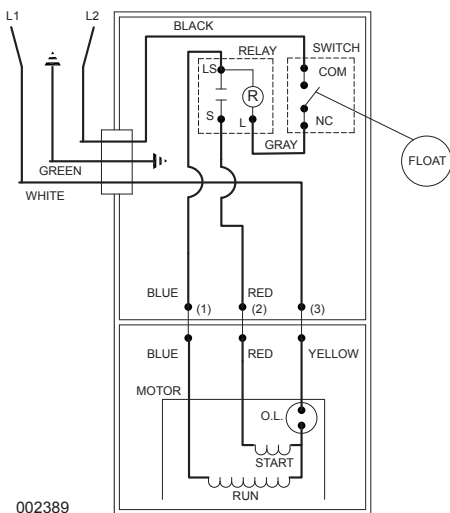
M137 AUTOMATIC 115V
D137 NONAUTOMATIC 230V
N137 AUTOMATIC 115V
E137 NONAUTOMATIC 230V

Consult factory for all other models

TO ORDER REPLACEMENT PARTS

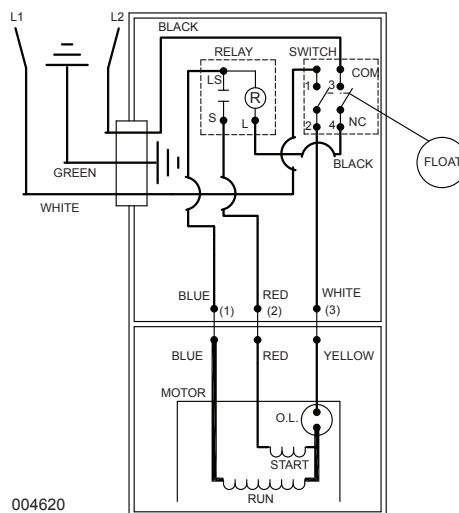
PLEASE FURNISH THE FOLLOWING INFORMATION:

- Model number
- Part number of pump
- Part number and description of part



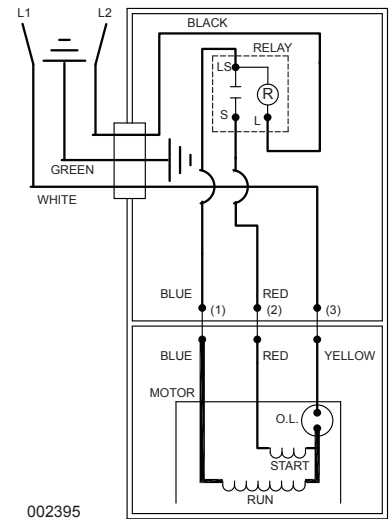
002389

WIRING DIAGRAM FOR MODELS
 "M137", "M137-A" and "N137-B"
 "D137", "D137-A" and "D137-B"
 3/80 (OJ) thru 8/86 (US)



004620

WIRING DIAGRAM FOR MODELS
 "M137-C" and "D137-C"
 9/86 (VS) thru Present



002395

WIRING DIAGRAM FOR MODELS
 "N137", "N137-A", "N137-B" and "N137-C"
 "E137", "E137-A", "E137-B" and "E137-C"
 3/80 (OJ) thru Present

REPLACEMENT PARTS LIST FOR MODELS "M137" and "D137".

See back page for "M137" and "D137" illustration.

		MODELS:		M137	M137-A	M137-B	M137-C	D137	D137-A	D137-B	D137-C
REF. NO.	DESCRIPTION	QTY	NOTES	3/80 OJ thru 9/80 VJ	10/80 WJ thru 10/83 WO	11/83 XO thru 8/86 US	9/86 VS thru Current	3/80 OJ thru 9/80 VJ	10/80 WJ thru 10/83 WO	11/83 XO thru 8/86 US	9/86 VS thru Current
1	• Handle	1		267032	267032	267032	267032	267032	267032	267032	267032
2	Case & Switch Asm "130/260"	1	3	004739	004739	004739	004610	004739	004739	004739	004610
3	• Gasket,Case/Cover	1		267007	267007	267007	267007	267007	267007	267007	267007
4	Relay Asm	1		002474	002474	002474	002474	147135	147135	147135	147135
5	Wire Pkg	1		267014	267014	267014	267014	267014	267014	267014	267014
6	• Seal,Thru Wall Term	3		003402	003402	003402	003402	003402	003402	003402	003402
7	• Plug,Test	2		034090	034090	034090	034090	034090	034090	034090	034090
8	• Clamp,Strain Relief	1		001770	001770	001770	001770	001770	001770	001770	001770
9	Cord Term & Seal	1	3, 4	267033	267033	267033	094071	267034	267034	267034	094072
10	• Seal,Cord-Asm	1		094032	094032	094032	094032	094032	094032	094032	094032
11	Bearing,Upper Rotor	1		034052	034052	267008	267008	034052	034052	NA	NA
12	• Guard	1		267008	267008	267008	267008	267008	267008	267008	267008
13	Float-Polypropylene	1		034019	034019	034019	034019	034019	034019	034019	034019
14	• Arm & Seal Asm "130/260"	1	3	267018	267018	267018	004741	267018	267018	267018	004741
15	Case & Switch Asm "130/260"	1	3	004739	004739	004739	004739	004739	004739	004739	004739
16	Switch Asm "130/260"	1	3	267015	267015	267015	004750	267015	267015	267015	004740
▣	Lead Wire (Gray)	1		002227	002227	002227	NA	002227	002227	002227	NA
17	Rod,Float	1		001526	001526	001526	001526	001526	001526	001526	001526
18	Housing,Mtr-&Str Regal Beloit	1	1, 2	002475	002475	002475	002475	002476	002476	002476	002476
	Housing,Mtr-& Str EMD			014797	014797	014797	014797	008642	008642	008642	008642
19	Rotor Asm 115/230V/1Ph Regal B	1	2	267005	267005	267005	267005	267005	267005	267005	267005
	Rotor Asm 115/230V/1Ph EMD			004021	004021	004021	004021	004021	004021	004021	004021
20	• Seal,Mtr Hsg	1		267006	267006	267006	267006	267006	267006	267006	267006
21	• Washer,Trst-Nyl.875X.504X.050"	1		002140	002140	002140	002140	002140	002140	002140	002140
22	Bearing,Sleeve-Lower Rotor	1		054024	054024	NA	NA	054024	054024	NA	NA
23	Housing,Pump-Mach	1		137004	137004	137004	137004	137004	137004	137004	137004
24	• Oil,Dielectric	1		267056	267056	267056	267056	267056	267056	267056	267056
25	Guide Asm, Float Rod	1		004676	004676	004676	004676	004676	004676	004676	004676
26	• Seal Asm	1		267027	267027	267027	267027	267027	267027	267027	267027
27	Impeller	1	4	137006	137006	137006	137006	137006	137006	137006	137006
28	Base & Plate	1		001509	001509	001509	001509	001509	001509	001509	001509
29	Strainer Plate	1		137008	137008	137008	137008	137008	137008	137008	137008
30	• Screw .25-20x.75HHm-SS	9		001916	001916	001916	001916	001916	001916	001916	001916
31	• Screw,#6-32X.438/Rh/Pan Head/	2		001877	001877	001877	004644	001877	001877	001877	004644
32	• Screw,#10-24 X.375 RHM-SI SS	3		001883	001883	001883	001883	001883	001883	001883	001883
33	• Screw,Sem/10-24 X .375 HH-SI	2		002000	002000	002000	002000	002000	002000	002000	002000
34	• Screw,#6-32X.25RHM SI Tc Stlgr	3		001877	001877	001877	001877	001877	001877	001877	001877
35	Screw,.25-20X.875"Lg HH SS/	4		012491	012491	012491	012491	012491	012491	012491	012491
▣	Rebuild Kit	1		267059	267059	267059	004743	267059	267059	267059	004743

• Items included in Rebuild Kit. ▣ Not shown in illustration

NOTES:

- 1) Mtr. Hsg., Brg., Stator & Term. (Item 18) are preassembled at the factory and must be replaced as a unit. Stator is permanently attached to the Motor Housing. Plug (Item 7); Seal, Thru Wall Term. (Item 6) and Bearing - Upper (Item 11) are replaceable.
- 2) When ordering Motor Housing, Bearing, Stator and Term. (Item 18) or Rotor (Item 16) specify either GE or Emerson motor. GE motor can be identified by (4) half oval slots spaced at 90° around the outside diameter or the stator. Emerson motor can be identified by (2) half oval slots or holes spaced 180° around the outside diameter of the stator.
- 3) If an "X" follows Model No., or Date Mfg. on brass ID tag, consult factory for ordering any parts.
- 4) See FM0160 Parts Price Sheet for listing of parts prices.
- 5) "NA" indicates, not applicable.

DATE CODE OF MANUFACTURE FROM 12/70 to 12/88				
1st LETTER MONTH		2nd LETTER YEAR		
M — JAN.	T — JULY	A — 1971	G — 1977	O — 1983
N — FEB.	U — AUG.	B — 1972	H — 1978	P — 1984
O — MARCH	V — SEPT.	C — 1973	I — 1979	R — 1985
P — APRIL	W — OCT.	D — 1974	J — 1980	S — 1986
R — MAY	X — NOV.	E — 1975	M — 1981	T — 1987
S — JUNE	Y — DEC.	F — 1976	N — 1982	U — 1988

NOTE: Four digit (MMYY) date of mfg. used after June, 1988.
IE: MMYY = 0192 = Jan. 1992

REPLACEMENT PARTS LIST FOR MODELS “N137” and “E137”.

See back page for “N137” and “E137” illustration.

MODELS:				N137	N137-A	N137-B	N137-C	E137	E137-A	E137-B	E137-C
REF. NO.	DESCRIPTION	QTY	NOTES	3/80 OJ thru 9/80 VJ	10/80 WJ thru 10/83 WO	11/83 XO thru 8/86 US	9/86 VS thru Current	3/80 OJ thru 9/80 VJ	10/80 WJ thru 10/83 WO	11/83 XO thru 8/86 US	9/86 VS thru Current
1	• Handle	1		267032	267032	267032	267032	267032	267032	267032	267032
2	Cover & Handle Asm	1		267051	267051	267051	267051	267051	267051	267051	267051
3	Cover-Mach	1		267052	267052	267052	267052	267052	267052	267052	267052
4	• Gasket,Case/Cover	1		267007	267007	267007	267007	267007	267007	267007	267007
5	Relay Asm	1		002474	002474	002474	002474	147135	147135	147135	147135
6	Wire Pkg	1		267014	267014	267014	267014	267014	267014	267014	267014
7	• Seal,Thru Wall Term	3		003402	003402	003402	003402	003402	003402	003402	003402
8	• Plug,Test	1		034090	034090	034090	034090	034090	034090	034090	034090
9	• Clamp,Strain Relief	1	3	001770	001770	001770	001770	001770	001770	001770	001770
10	Cord Term & Seal	1	3	003617	003617	003617	003617	003618	003618	003618	003618
11	• Seal,Cord-Asm	1		094032	094032	094032	094032	094032	094032	094032	094032
12	Bearing,Upper Rotor	1		034052	034052	NA	NA	034052	034052	NA	NA
13	• Retainer, Handle	1		267053	267053	267053	267053	267053	267053	267053	267053
14	Housing, Mtr Regal Beloit	1	1, 2	002475	002475	002475	002475	002475	002475	002475	002475
	Housing, Mtr EMD			014797	014797	014797	014797	008642	008642	008642	008642
15	• Oil,Dielectric	1		267056	267056	267056	267056	267056	267056	267056	267056
16	Rotor Asm Regal Beloit	1	2	267005	267005	267005	267005	267005	267005	267005	267005
	Rotor Asm EMD			004021	004021	004021	004021	004021	004021	004021	004021
17	• Seal,Mtr Hsg	1		267006	267006	267006	267006	267006	267006	267006	267006
18	• Washer,Thrust	1		002140	002140	002140	002140	002140	002140	002140	002140
19	Bearing,Sleeve-Lower Rotor	1		054024	054024	NA	NA	054024	054024	NA	NA
20	Housing,Pump-Mach	1		137004	137004	137004	137004	137004	137004	137004	137004
21	• Seal Asm	1		267027	267027	267027	267027	267027	267027	267027	267027
22	Impeller	1		137006	137006	137006	137006	137006	137006	137006	137006
23	Base & Plate Asm	1		001509	001509	001509	001509	001509	001509	001509	001509
24	Strainer Plate	1		137008	137008	137008	137008	137008	137008	137008	137008
25	• Screw,#6-32X.25RHM SI Tc Stlgr	3		001877	001877	001877	001877	001877	001877	001877	001877
26	• Screw,.25-20X.75 Hhm-SS/Indent	9		001916	001916	001916	001916	001916	001916	001916	001916
27	• Screw,#10-24 X.375 RHM-SI SS	3		001883	001883	001883	001883	001883	001883	001883	001883
28	• Screw,Sem/10-24 X.375 RHM-SI	2		002000	002000	002000	002000	002000	002000	002000	002000
29	• Screw, #.25-20 X .75 HH	1		012491	012491	012491	012491	012491	012491	012491	012491
☒	Rebuild Kit	1		267059	267059	267059	004743	267059	267059	267059	004743

- Items included in Rebuild Kit.
- ☒ Not shown in illustration

NOTES:

- 1) Mtr. Hsg., Brg., Stator & Term. (Item 14) are preassembled at the factory and must be replaced as a unit. Stator is permanently attached to the Motor Housing. Plug (Item 8); Seal, Thru Wall Term. (Item 7) and Bearing - Upper (Item 12) are replaceable.
- 2) When ordering Motor Housing, Bearing, Stator and Term. (Item 14) or Rotor (Item 16) specify either GE or Emerson motor. GE motor can be identified by (4) half oval slots spaced at 90° around the outside diameter or the stator. Emerson motor can be identified by (2) half oval slots or holes spaced 180° around the outside diameter of the stator.
- 3) If an “X” follows Model No., or Date Mfg. on brass ID tag, consult factory for ordering any parts.
- 4) See FM0160 Parts Price Sheet for listing of parts prices.
- 5) “NA” indicates, not applicable.



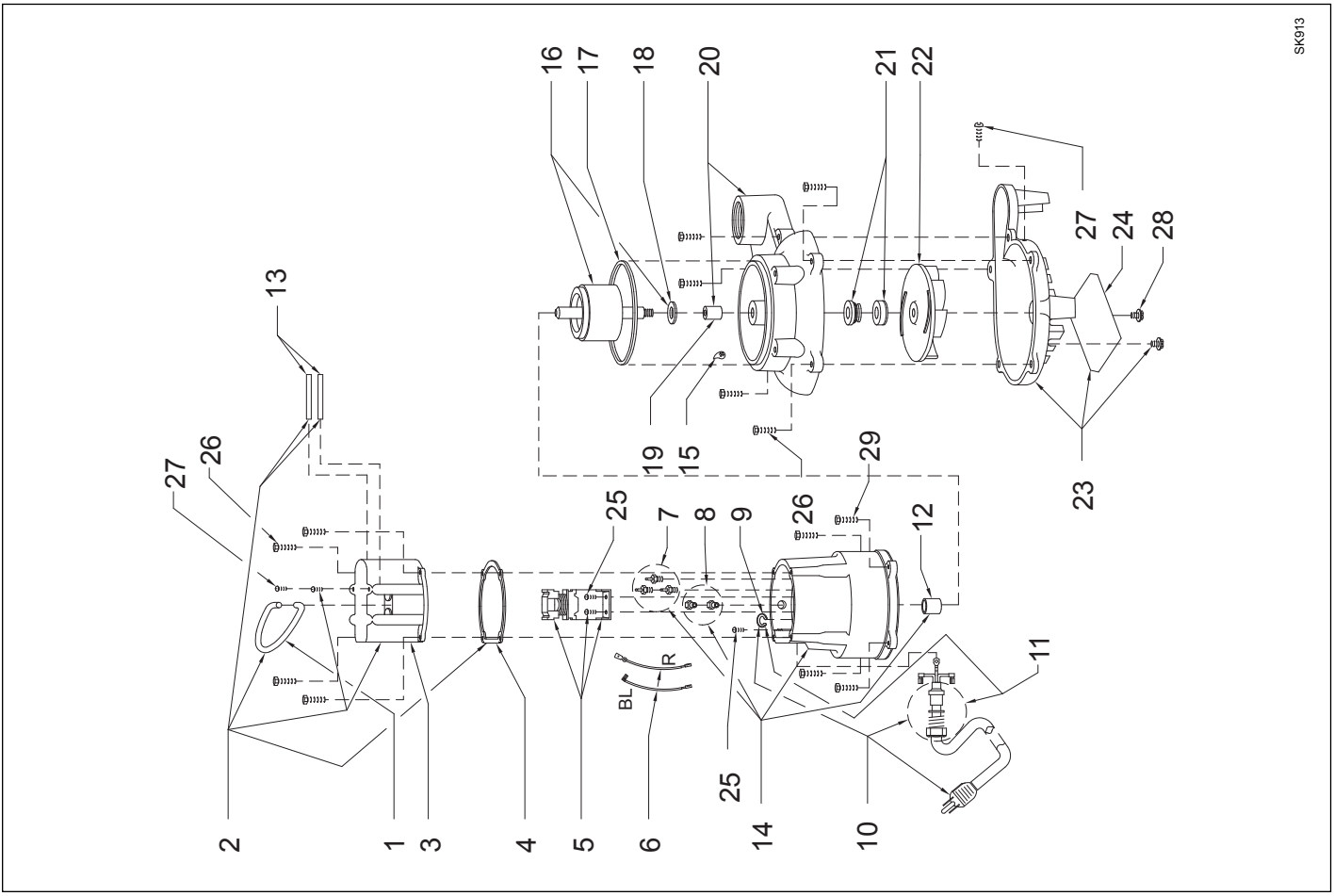
PUMP COMPANY

MAIL TO: P.O. BOX 16347 • Louisville, KY 40256-0347
 SHIP TO: 3649 Cane Run Road • Louisville, KY 40211-1961
 (502) 778-2731 • 1 (800) 928-PUMP • FAX (502) 774-3624

Your Peace of Mind is Our Top Priority®

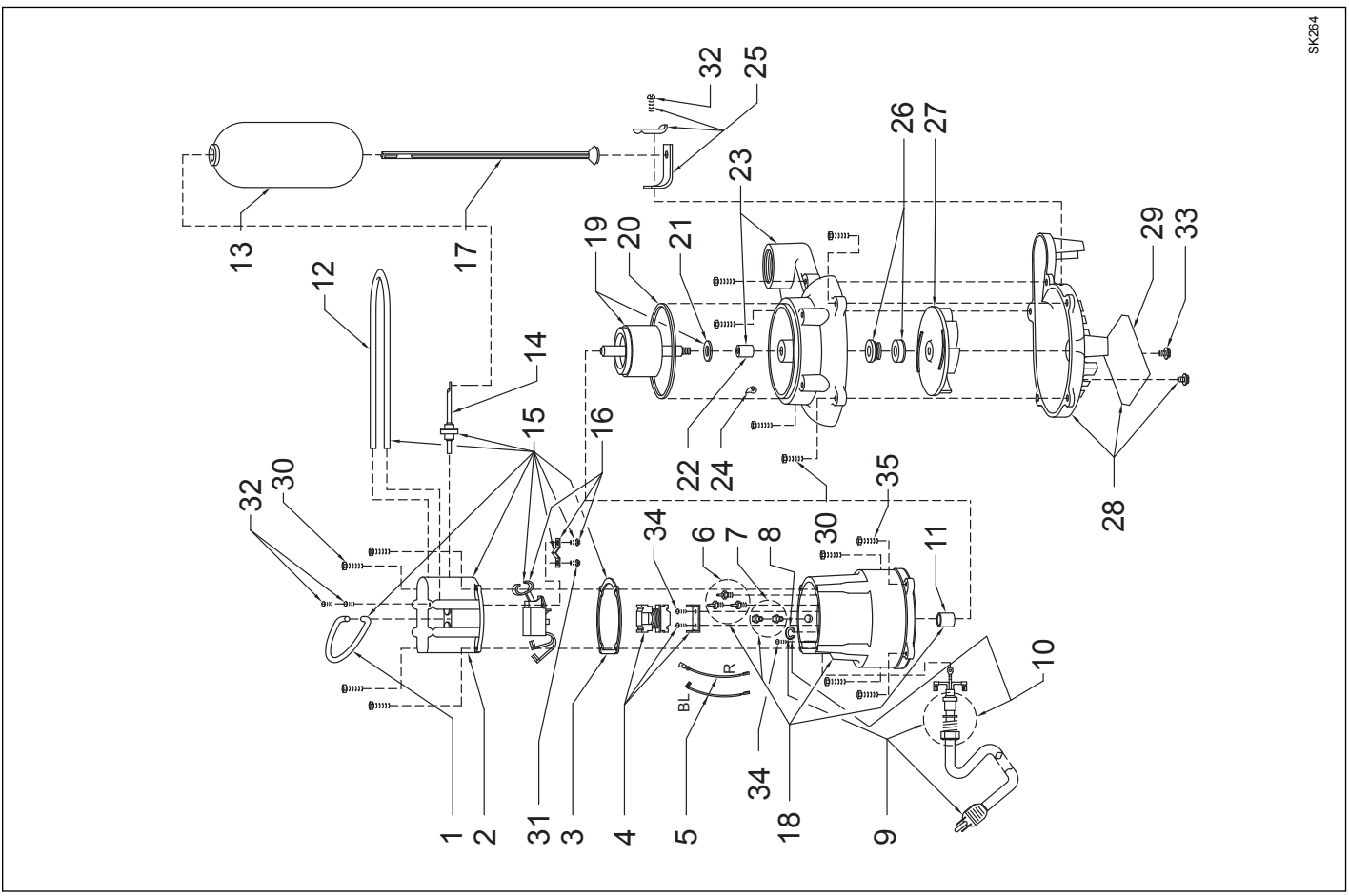
visit our web site:
www.zoeller.com

REPLACEMENT PARTS ILLUSTRATION FOR MODELS "N137" AND "E137"



SK913

REPLACEMENT PARTS ILLUSTRATION FOR MODELS "M137" AND "D137"



SK264