

Product information presented here reflects conditions at time of publication. Consult factory regarding discrepancies or inconsistencies.

PUMP COMPANY

Zoeller Family of Water Solutions™

MAIL TO: P.O. BOX 16347 • Louisville, KY 40256-0347
 SHIP TO: 3649 Cane Run Road • Louisville, KY 40211-1961
 (502) 778-2731 • 1 (800) 928-PUMP • FAX (502) 774-3624

visit our web site:
www.zoeller.com

REPLACEMENT PARTS LIST FOR MODELS:

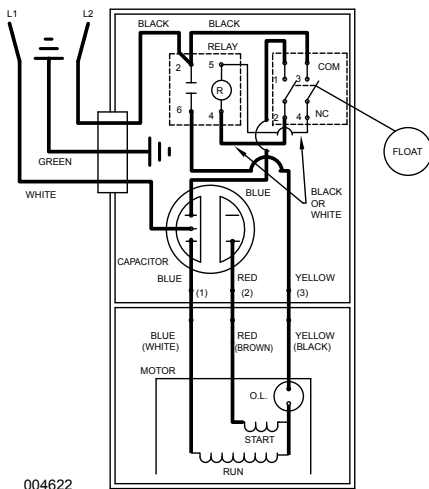
- M292 AUTOMATIC 115V/1PH**
- N292 NONAUTOMATIC 115V/1PH**
- D292 AUTOMATIC 230V/1PH**
- E292 NONAUTOMATIC 230V/1PH**
- J292 NONAUTOMATIC 200V/3PH**
- F292 NONAUTOMATIC 230V/3PH**
- G292 NONAUTOMATIC 460V/3PH**
- BA292 NONAUTOMATIC 575V / 3PH**

Consult factory for all other models.

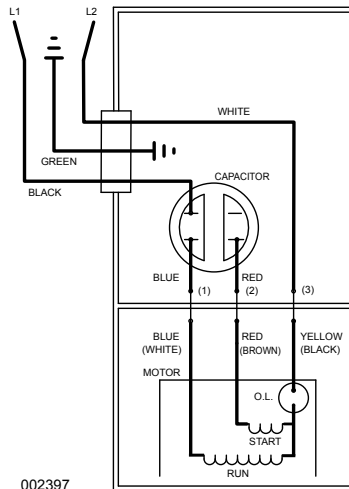
TO ORDER REPLACEMENT PARTS

PLEASE FURNISH THE
 FOLLOWING INFORMATION:

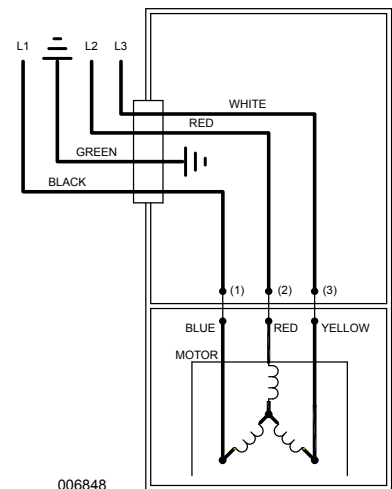
- Model number
- Part number of pump
 (If manufactured prior to June 1988, give 2 letter date code following Model No.)
- Part number and description of part



004622
 WIRING DIAGRAM FOR MODELS
 "M292" and "D292" All Revisions
 1/87 (MT) thru Current



002397
 WIRING DIAGRAM FOR MODELS
 "N294" and "E292" All Revisions
 1/87 (MT) thru Current



006848
 WIRING DIAGRAM FOR MODELS
 "J292", "F292", "G292" & "BA292"
 All Revisions

REPLACEMENT PARTS LIST FOR MODELS "M292" & "D292"

See page 5 for illustration.

REF. NO.	DESCRIPTION	QTY	NOTES	MODELS: M292-A					D292-A
				1/87 MT thru 8/90	9/90 thru 10/98	11/98 thru 4/03	5/03 thru 11/09	12/09 thru Current	
1	Case, Sw.& Cord	1	2	004746	006292	006292	014155	014155	004748
2	• Guard	1		001023	001023	001023	001023	001023	001023
3	Case-Mach	1	2	004614	004633	004633	014154	014154	004614
4	• Arm & Seal Asm	1		004745	004745	004745	004745	004745	004745
5	• Gasket, Case/Cover	1		001011	001011	001011	001011	001011	001011
6	Switch Asm	1		004744	004744	004744	004744	004744	004744
7	• Wire Pkg (5) Wires	1		004749	004749	004749	004749	004749	004749
8	Relay	1		217092	217092	217092	217092	217092	217093
9	Capacitor & Clamp Asm	1		003575	003575	003575	003575	003575	002381
10	Float, Plastic	1		094039	094039	094039	094039	094039	094039
11	Guide Asm, Flt Rod	1		001072	001072	001072	001072	001072	001072
12	Rod Asm, Flt	1		001043	001043	001043	001043	150438	150438
13	Housing, Mtr-& Str	1	1,3	002497	002497	002497	002497	150580	150582
14	Bearing, Sleeve	1		001012	001012	001012	001012	NA	NA
	• Bearing, Radial			NA	NA	NA	NA	006703	006703
15	• Handle	1		217069	217069	217069	217069	217069	217069
16	Cord, Term & Seal Asm	1	2	002507	006290	006290	014168	014168	002429
17	Clamp, Strain Relief	1	2	001770	N/A	N/A	013764	013764	001770
18	• Seal, Cord-Asm & Strain Relief	1	2	094032	004375	004375	015634	015634	094032
19	• Plug, Test-White	2		034090	034090	034090	034090	034090	034090
20	• Seal, Thru Wall Term	3		003402	003402	003402	003402	003402	003402
21	Rotor & Brg	1		002701	002701	002701	002701	150574	150575
22	• Bearing, Radial	1	3	001013	001013	001013	001013	010069	010069
23	• Seal, Mtr Hsg	1		001014	001014	001014	001014	001014	001014
24	• Oil, Dielectric	1		002383	002383	002383	003168	011066	011066
25	Adapter-Mach	1		001003	001003	001003	001003	001003	001003
26	• Seal, Shaft	1		002430	002430	002430	002430	002430	002430
27	Flange Pkg 2" Npt	1		10-1305	10-1305	10-1305	10-1305	10-1305	10-1305
	Flange Pkg 3" Npt	1		10-1306	10-1306	10-1306	10-1306	10-1306	10-1306
28	Impeller "292"	1		005188	005188	005188	005188	005188	005188
29	Housing, Pump-Mach	1		001005	001005	001005	001005	001005	001005
30	• Screw, #10-24 X.375 RHM-SI SS	2		001883	001883	001883	001883	001883	001883
31	• Screw, #6-32x.25RHM SI Tc Stlgr	4		001877	001877	001877	001877	001877	001877
32	• Screw, .25-20 X .75 HHm-SS	4		001916	001916	001916	001916	001916	001916
33	• Screw, #6-32x.438 Rhsstp Stlzi	2		004644	004644	004644	004644	004644	004644
34	• Screw, .5-13 X 2 HH Cap-SS	2		001909	001909	001909	001909	001909	001909
35	• Washer, SS-1.25"Odx.562"ldx.078	2		002115	002115	002115	002115	002115	002115
36	• Screw, .313-18 X 1" HH Cap-SS	4		002608	002608	002608	002608	002608	002608
37	• Screw, .25-20x1" HHm-SS	4		007790	007790	007790	007790	007790	007790
▣	Rebuild Kit			004747	004747	004747	016103	019647	019647

• Items included in Rebuild Kit.

▣ Not shown in illustration.

DATE CODE OF MANUFACTURE FROM 12/70 TO 12/88				
1st LETTER MONTH		2nd LETTER YEAR		
M --- JAN.	T --- JULY	A --- 1971	G --- 1977	O --- 1983
N --- FEB.	U --- AUG.	B --- 1972	H --- 1978	P --- 1984
O --- MARCH	V --- SEPT.	C --- 1973	I --- 1979	R --- 1985
P --- APRIL	W --- OCT.	D --- 1974	J --- 1980	S --- 1986
R --- MAY	X --- NOV.	E --- 1975	M --- 1981	T --- 1987
S --- JUNE	Y --- DEC.	F --- 1976	N --- 1982	U --- 1988

NOTE: Four digit (MMYY) date of mfg. used after June, 1988.
IE: MMYY = 0192 = Jan. 1992

NOTES:

- 1) Mtr. Hsg., Brg., Stator & Term. (Item 13) is preassembled at the factory and must be replaced as a unit. Stator is permanently attached to the Motor Housing. Plug (Item 19); Seal, Thru Wall Term. (Item 20) and Bearing - Upper (Item 14) are replaceable.
- 2) If an "X" follows Model No., or Date Mfg. on ID tag, consult factory for ordering of this part.
- 3) When ordering specify either General Electric or Emerson motor.
- 4) See FM0160 Parts Price Sheet for listing of parts prices.
- 5) "NA" indicates, not applicable.

REPLACEMENT PARTS LIST FOR MODELS “N292” & “E292”

See page 6 for illustration.

REF. NO.	DESCRIPTION	QTY	NOTES	MODELS: N292-A					E292-A
				1/87 MT thru 8/90	9/90 thru 10/98	11/98 thru 4/03	11/09 thru 2/10	12/09 thru Current	
1	Handle	1		217069	217069	217069	217069	217069	217069
2	Cover & Cord	1	2	002499	006293	006293	014158	014158	002401
3	Cover-Mach	1	2	001077	004372	004372	014150	014150	001077
4	• Gasket, Case/Cover	1		001011	001011	001011	001011	001011	001011
5	• Wire Pkg (5) Wires	1		004749	004749	004749	004749	004749	004749
6	Capacitor & Clamp Asm	1		003575	003575	003575	003575	003575	002381
7	Housing, Mtr-& Str	1	1.5	002497	002497	002497	002497	150580	150582
8	Bearing, Sleeve	1		001012	001012	001012	001012	NA	NA
	• Bearing, Radial	1		NA	NA	NA	NA	006703	006703
9	Cord Term & Seal Asm	1	2	002508	006291	006291	014169	014169	002402
10	Clamp, Strain Relief	1	2	001770	NA	NA	013764	013764	001770
11	• Seal, Cord-Asm & Strain Relief	1	2	094032	004375	004375	015634	015634	094032
12	• Plug, Test-White	2		034090	034090	034090	034090	034090	034090
13	• Seal, Thru Wall Term	3		003402	003402	003402	003402	003402	003402
14	Rotor & Brg	1	5	002701	002701	002701	002701	150574	150575
15	• Bearing, Radial	1		001013	001013	001013	001013	010069	010069
16	• Seal, Mtr Hsg	1		001014	001014	001014	001014	001014	001014
17	• Oil, Dielectric	1		002383	002383	002383	003168	011066	011066
18	Adapter-Mach	1		001003	001003	001003	001003	001003	001003
19	• Seal, Shaft	1		002430	002430	002430	002430	002430	002430
20	Flange Pkg 2" Npt	1		10-1305	10-1305	10-1305	10-1305	10-1305	10-1305
	Flange Pkg 3" Npt	1		10-1306	10-1306	10-1306	10-1306	10-1306	10-1306
21	Impeller "292"	1		005188	005188	005188	005188	005188	005188
22	Housing, Pump-Mach	1		001005	001005	001005	001005	001005	001005
23	• Screw, #6-32x.25RHM SI Tc Stlgr	3		001877	001877	001877	001877	001877	001877
24	• Screw, #10-24 X.375 RHM-SI SS	1		001883	001883	001883	001883	001883	001883
25	• Screw, .25-20 X .75 HHm-SS	4		001916	001916	001916	001916	001916	001916
26	• Screw, .5-13 X 2 HH Cap-SS	2		001909	001909	001909	001909	001909	001909
27	• Washer, SS-1.25"Odx.562"ldx.078	2		002115	002115	002115	002115	002115	002115
28	• Screw, .313-18 X 1"HH Cap-SS	4		002608	002608	002608	002608	002608	002608
29	• Screw, .25-20X1" HHM-SS	4		007790	007790	007790	007790	007790	007790
▣	Rebuild Kit			004747	004747	004747	014193	019648	019648

• Items included in Rebuild Kit.

▣ Not shown in illustration.

NOTES:

- 1) If an “X” follows Model No., or Date Mfg. on ID tag, consult factory for ordering of this part.
- 2) Mtr. Hsg., Stator & Term. (item 7) is preassembled at the factory and must be replaced as a unit. Stator is permanently attached to the motor housing. Plug (item 12), Seal thru Wall Term. (item 13) and Bearing-Upper (item 8) are replaceable.
- 3) See FM0160 Parts Price Sheet for listing of parts prices.
- 4) “NA” indicates, not applicable.
- 5) When ordering specify either General Electric or Emerson motor.

REPLACEMENT PARTS LIST FOR MODELS “J292”, “F292”, “G292” & “BA292”

See page 7 for illustration.

REF. NO.	DESCRIPTION	MODELS: J292-A			F292-A	G292-A	BA292-A
		QTY	NOTES	8/13 thru Current	8/13 thru Current	8/13 thru Current	3/10 thru Current
1	Handle	1		217069	217069	217069	217069
2	Cover & Cord	1	2	002963	002963	002963	002963
3	Cover-Mach	1	2	001077	001077	001077	001077
4	• Gasket, Case/Cover	1		001011	001011	001011	001011
5	Housing, Mtr & Str	1		150583	150584	150585	150842
6	Bearing, Upper Sleeve	1		NA	NA	NA	NA
	• Bearing, Upper Ball			006703	006703	006703	006703
7	• Clamp, Strain Relief	1	1,5	001770	001770	001770	001770
8	Cord Term & Seal Asm	1		005131	005131	005131	005131
9	• Seal, Cord-Asm & Strain Relief	1	2	094032	094032	094032	094032
10	Plug, Test-White	2	2	034090	034090	034090	034090
11	• Seal, Thru Wall Term	3	2	003402	003402	003402	003402
12	Rotor & Brg	1		150576	150576	150576	150576
13	• Bearing, Radial	1		010069	010069	010069	010069
14	• Seal, Mtr Hsg	1	5	001014	001014	001014	001014
15	• Oil, Dielectric	1		011066	011066	011066	011066
16	Adapter-Mach	1		001003	001003	001003	001003
17	• Seal, Shaft	1		002430	002430	002430	002430
18	Impeller “292”	1		150843	150843	150843	150843
19	Flange Pkg 2” NPT	1		10-1305	10-1305	10-1305	10-1305
	Flange Pkg 3” NPT			10-1306	10-1306	10-1306	10-1306
20	Housing, Pump-Mach	1		001005	001005	001005	001005
21	• Screw, #6-32x.25RHM SI Tc Stlgr	1		001877	001877	001877	001877
22	• Screw, .25-20 X .75 HHm-SS	4		001916	001916	001916	001916
23	• Screw, .313-18 X 1”HH Cap-SS	4		002608	002608	002608	002608
24	• Screw, .5-13 X 2 HH Cap-SS	2		001909	001909	001909	001909
25	• Washer, SS 1.25 od x .562 ld x .078	2		002115	002115	002115	002115
26	• Screw, #10-24 X.375 RHM-SI SS	1		001883	001883	001883	001883
27	• Screw, .25-20X1” HHM-SS	4		007790	007790	007790	007790
28	• Nut, Acorn SS	1		004351	004351	004351	004351
29	• Spring, bearing preload	1		NA	NA	NA	NA
▣	Rebuild Kit			019648	019648	019648	019648

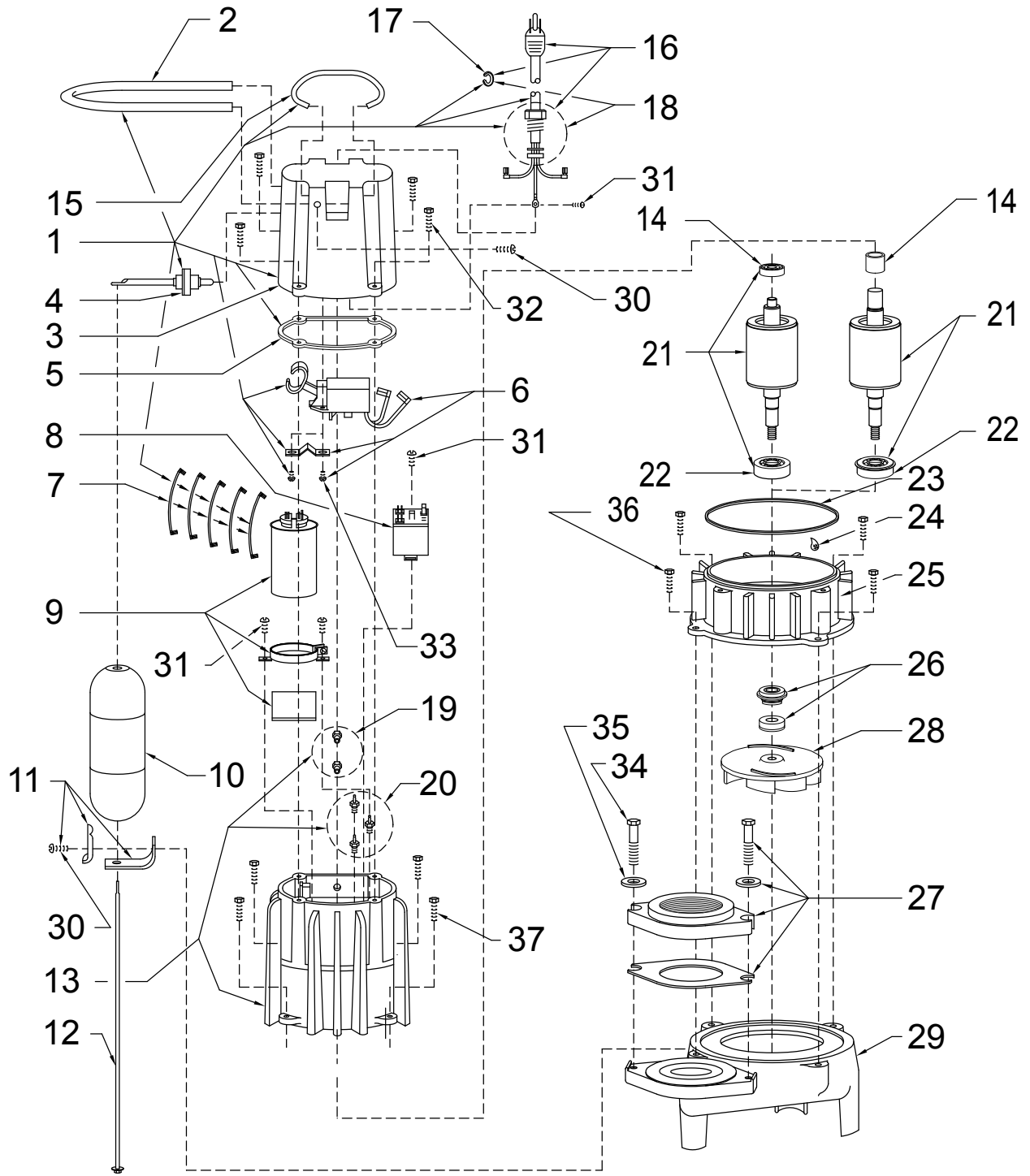
• Items included in Rebuild Kit.

▣ Not shown in illustration.

NOTES:

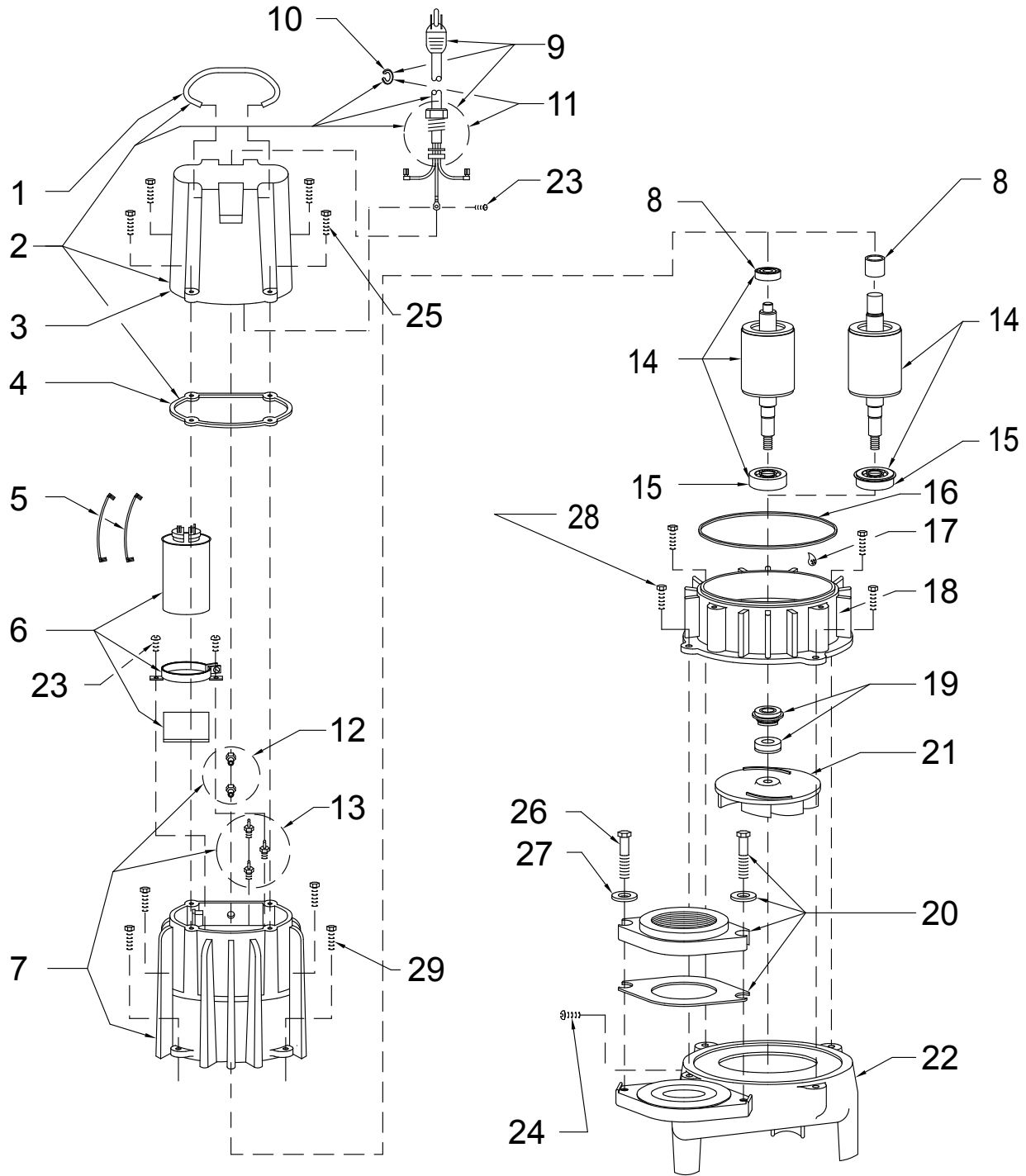
- 1) If an “X” follows Model No., or Date Mfg. on ID tag, consult factory for ordering of this part.
- 2) Mtr. Hsg., Stator & Term. (item 5) is preassembled at the factory and must be replaced as a unit. Stator is permanently attached to the motor housing. Plug (item 10), Seal thru Wall Term. (item 11) and Bearing-Upper (item 8) are replaceable.
- 3) See FM0160 Parts Price Sheet for listing of parts prices.
- 4) “NA” indicates, not applicable.
- 5) When ordering specify either General Electric or Emerson motor.

REPLACEMENT PARTS ILLUSTRATION FOR MODELS "M292" & "D292"



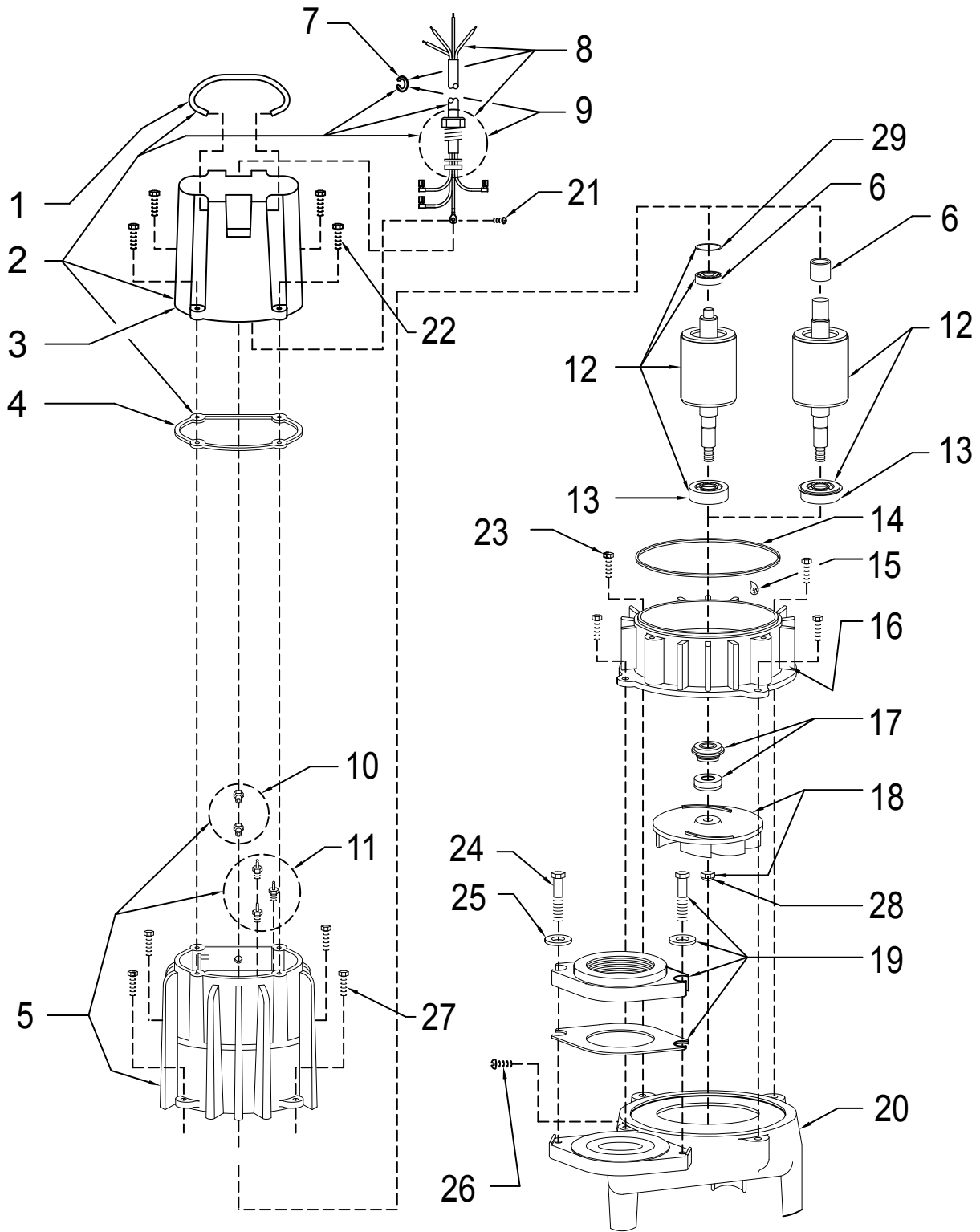
SK265

REPLACEMENT PARTS ILLUSTRATION FOR MODELS "N292" & "E292"



SK925

REPLACEMENT PARTS ILLUSTRATION FOR MODELS "J292", "F292", G292" & "BA292"



SK1285



PUMP COMPANY

MAIL TO: P.O. BOX 16347 • Louisville, KY 40256-0347
 SHIP TO: 3649 Cane Run Road • Louisville, KY 40211-1961
 (502) 778-2731 • 1 (800) 928-PUMP • FAX (502) 774-3624

Your Peace of Mind is Our Top Priority®

visit our web site:
www.zoeller.com

