

Product information presented here reflects conditions at time of publication. Consult factory regarding discrepancies or inconsistencies.



PUMP COMPANY

Zoeller Family of Water Solutions™

MAIL TO: P.O. BOX 16347 • Louisville, KY 40256-0347
 SHIP TO: 3649 Cane Run Road • Louisville, KY 40211-1961
 (502) 778-2731 • 1 (800) 928-PUMP • FAX (502) 774-3624

visit our web site:
www.zoeller.com

COMPARE THESE FEATURES

- Non-clogging bronze vortex impeller design
- Durable cast construction. Cast iron switch case, base, motor and pump housing
- Castings - Cast iron class 30 (30,000# tensile strength). Impeller, bronze class C89833
- Corrosion-resistant powder coated epoxy finish
- 20 ft. UL Listed 3-wire neoprene cord and plug. Longer cords available in lengths of 25-35-50 feet.
- Motor - 60 Hz, 3450 RPM, oil-filled, hermetically sealed, automatic reset thermal overload protection (1 Ph only).
- Upper & lower ball bearings running in bath of oil.
- Carbon and ceramic shaft seal
- Maximum temperature for effluent or dewatering, 130°F - 54°C (ED 140°F - 60°C).
- Major width 12¾" Height 19⁵/₁₆" (Single seal pumps)
- No screens to clog.
- Square Ring & Gasket - Neoprene
- Stainless steel screws, bolts, float rod, handle guard, arm and seal assembly
- Passes ¾" spherical solids
- 1½" NPT discharge with 2" or 3" flange available
- Automatic units available with float operated, submersible (NEMA 6) 2-pole mechanical switch. On point 14¾" - Off point 5"
- Available in single or double seal designs.
- 100% of units are computerized tested.

MODELS 4161-4163-4165

DOUBLE SEAL PUMPS (Nonauto only)

- Protects motor from seal leaks
- Improved bearing lubrication
- Helps eliminate seal and bearing damage from dry runs
- Major width 12¾" Height 21³/₁₆"

Note: The sizing of effluent systems normally requires variable level float(s) controls and properly sized basins to achieve required pumping cycles or dosing timers with nonautomatic pumps.

AUTOMATIC UNITS NOT RECOMMENDED FOR USE IN EFFLUENT SYSTEMS.

161 - 163 - 165 Single Seal Series
4161 - 4163 - 4165 Double Seal Series
 (For Pump Prefix Identification see News & Views 0052)



Tested to UL Standard UL778



Certified to CSA Standard C22.2 No 108

HIGH HEAD

"FLOW-MATE"

FOR SEPTIC TANK • LOW PRESSURE PIPE (LPP) AND ENHANCED FLOW STEP SYSTEMS

EFFLUENT

OR DEWATERING PUMP • SUBMERSIBLE

1½" NPT DISCHARGE STANDARD • 2" AND 3" NPT FLANGE AVAILABLE



SINGLE SEAL PUMP



DOUBLE SEAL PUMP



MODELS AVAILABLE

• Automatic (Single Seal Only) or Nonautomatic

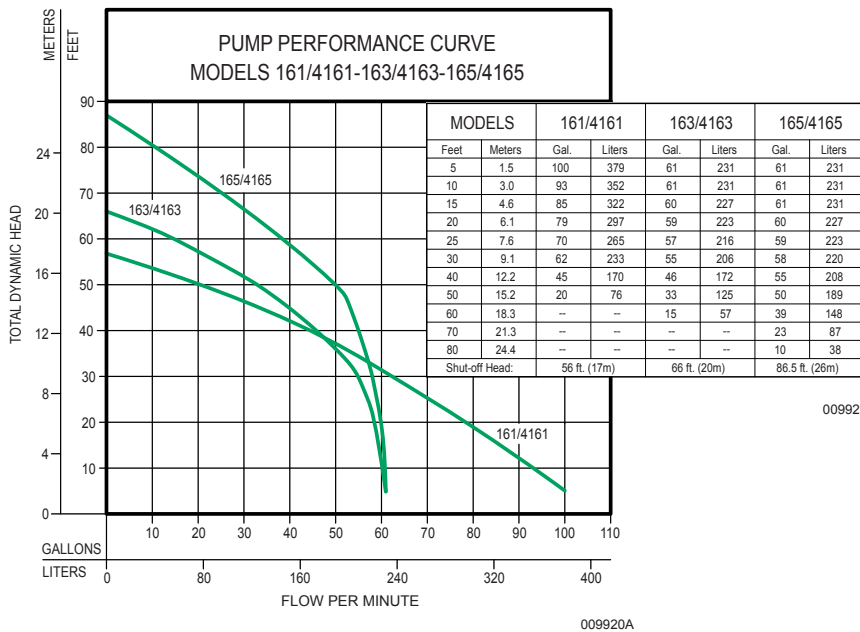
161-163 and 4161-4163 Series

- ½ HP, 1 Ph, 115V, 200-208V or 230V
- ½ HP, 3 Ph, 200-208V, 230V, 460V or 575V

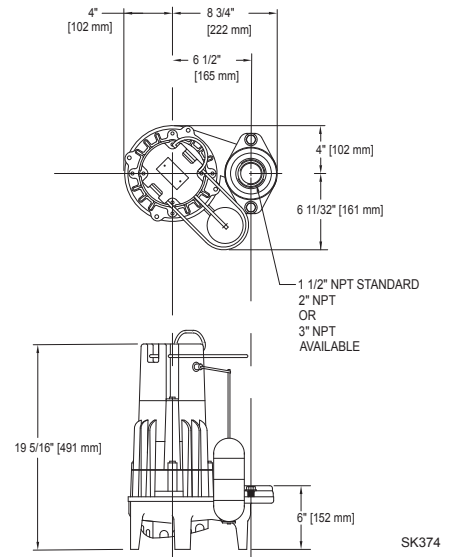
165 and 4165 Series

- 1 HP, 1 Ph, 200-208V or 230V
- 1 HP, 3 Ph, 200-208, 230V, 460V or 575V

* NOTE: No UL listing or approval for 200-208V 1Ph or Extra Duty (ED) pumps. See back page for UL & CSA Listings.



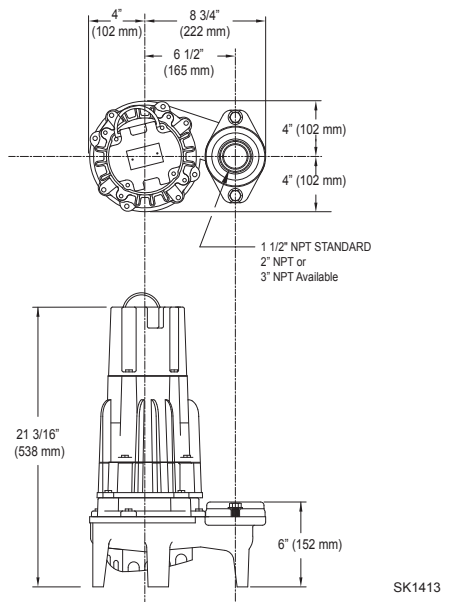
Single Seal Automatic Design
Weight 80 lbs.



Standard all models - 20 ft. cord - 1/2 HP

161 MODELS	4161 MODELS	Control Selection						Listings	
Single Seal	Double Seal	Volts	Ph	Mode	Amps	Simplex	Duplex	cCSAus	UL
M161	-----	115	1	Auto	15.5	1	-----	Y	Y
N161	N4161	115	1	Non	15.5	2 or 3 & 5	4 & 5	Y	Y ⁽¹⁾
D161	-----	230	1	Auto	7.5	1	-----	Y	Y
E161	E4161	230	1	Non	7.5	2 or 3 & 5	4 & 5	Y	Y
* H161	-----	200-208	1	Auto	8.8	1	-----	Y	N
* I161	* I4161	200-208	1	Non	8.8	2 or 3 & 5	4 & 5	Y	N
* J161	* J4161	200-208	3	Non	6.4	3 & 5	4 & 5	Y	Y
* F161	* F4161	230	3	Non	5.2	3 & 5	4 & 5	Y	Y
* G161	* G4161	460	3	Non	2.9	3 & 5	4 & 5	Y	Y
* BA161	* BA4161	575	3	Non	2.4	3 & 5	4 & 5	Y	N

Double Seal Design
Weight 87 lbs.



Standard all models - 20 ft. cord - 1/2 HP

163 MODELS	4163 MODELS	Control Selection						Listings	
Single Seal	Double Seal	Volts	Ph	Mode	Amps	Simplex	Duplex	cCSAus	UL
M163	-----	115	1	Auto	15.0	1	-----	Y	Y
N163	N4163	115	1	Non	15.0	2 or 3 & 5	4 & 5	Y	Y ⁽¹⁾
D163	-----	230	1	Auto	7.5	1	-----	Y	Y
E163	E4163	230	1	Non	7.5	2 or 3 & 5	4 & 5	Y	Y
* H163	-----	200-208	1	Auto	8.5	1	-----	Y	N
* I163	* I4163	200-208	1	Non	8.5	2 or 3 & 5	4 & 5	Y	N
* J163	* J4163	200-208	3	Non	6.0	3 & 5	4 & 5	Y	Y
* F163	* F4163	230	3	Non	4.8	3 & 5	4 & 5	Y	Y
* G163	* G4163	460	3	Non	2.9	3 & 5	4 & 5	Y	Y
* BA163	* BA4163	575	3	Non	2.4	3 & 5	4 & 5	Y	N

Standard all models - 20 ft. cord - 1 HP

165 MODELS	4165 MODELS	Control Selection						Listings	
Single Seal	Double Seal	Volts	Ph	Mode	Amps	Simplex	Duplex	cCSAus	UL
D165	-----	230	1	Auto	10.2	1	-----	Y	Y
E165	E4165	230	1	Non	10.2	2 or 3 & 5	4 & 5	Y	Y
* H165	-----	200-208	1	Auto	12.6	1	-----	Y	N
* I165	* I4165	200-208	1	Non	12.6	2 or 3 & 5	4 & 5	Y	N
* J165	* J4165	200-208	3	Non	7.5	3 & 5	4 & 5	Y	Y
* F165	* F4165	230	3	Non	7.4	3 & 5	4 & 5	Y	Y
* G165	* G4165	460	3	Non	3.7	3 & 5	4 & 5	Y	Y
* BA165	* BA4165	575	3	Non	3.0	3 & 5	4 & 5	Y	N

* No Molded Plug

⁽¹⁾ UL Listed unit available with 20 Amp plug.

For information on additional Zoeller products refer to catalog on Piggyback Variable Level Float Switches, FM0477; Electrical Alternator, FM0486; Mechanical Alternator, FM0495; Alarm Package, FM0732; and Sump/Sewage Basins, FM0487.

CAUTION

All installation of controls, protection devices and wiring should be done by a qualified licensed electrician. All electrical and safety codes should be followed including the most recent National Electric Code (NEC) and the Occupational Safety and Health Act (OSHA).

RESERVE POWERED DESIGN

For unusual conditions a reserve safety factor is engineered into the design of every Zoeller pump.

© Copyright 2014 Zoeller Co. All rights reserved.