

Please read and save these instructions. Read through this owner's manual carefully before using product. Protect yourself and others by observing all safety information, warnings, and cautions. Failure to comply with instructions could result in personal injury and/or damage to product or property. Please retain instructions for future reference.



## Air Operated Grease Pump 50:1 with Band Dolly

### Description

This is a 50:1 pump & will dispense grease at a pressure equaling approx.40 - 50 times the Air Inlet Pressure. Recommended for applications requiring volume greasing at high pressures in industry, workshops, farm etc.

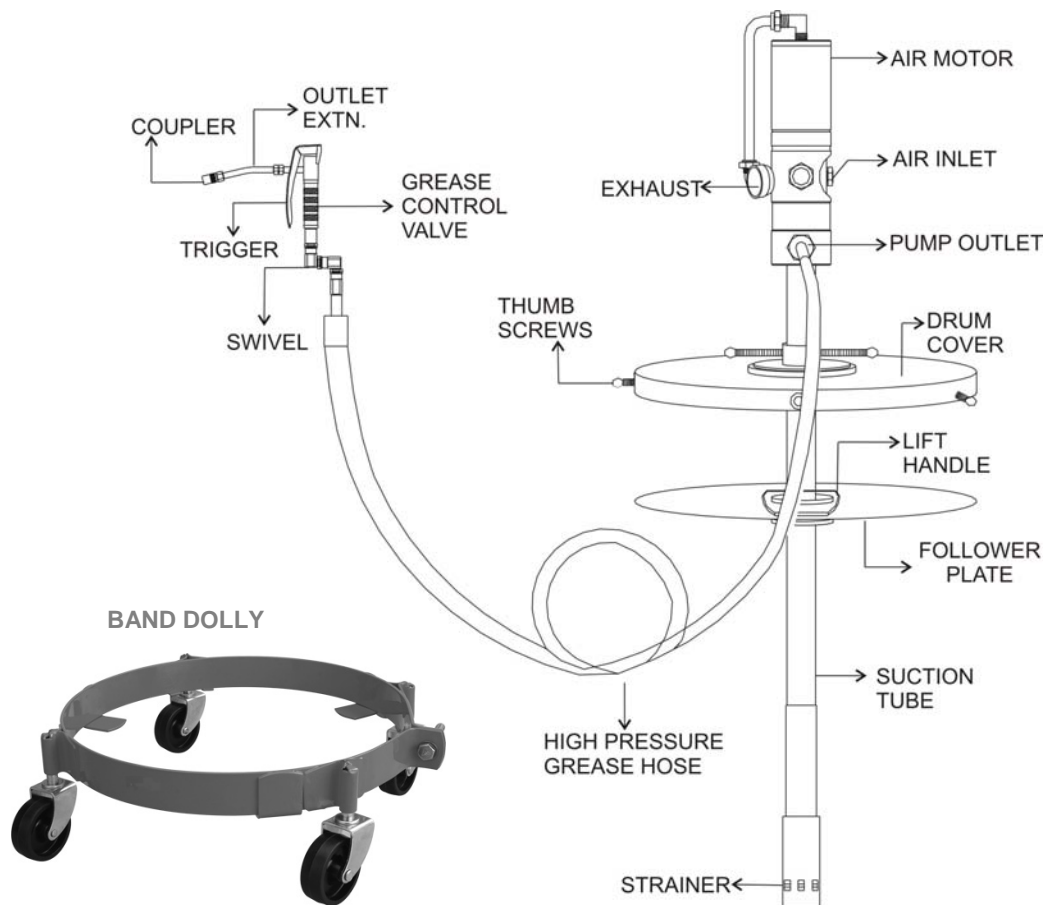


Figure 1

### Specifications and Dimensions

Model	Fits Open Head rum Size	Drum Cover Diameter	Delivery
5NUE3	25 -50 lbs	12"	2.2 lbs per min.
5NUE4	125 lbs	15"	2.2 lbs per min.



## Air Operated Grease Pump 50:1 with Band Dolly

### General Safety Information

Always wear safety glasses when using 50:1 Air Operated grease pump. Keep work area clean and remove any excess grease from tools, hands and clothing after use.

**▲ CAUTION** *Always wear protection gear like safety goggles, gloves, apron, and ear plugs while operating the pump.*

*Never let any body part come in front of, or in contact with the control valve outlet.*

*Always cut off air supply after use, so that media can't leak incase any of the pump component fails.*

*Before attempting any maintenance or repair of this product, disconnect air supply and then squeeze control valve trigger to release fluid pressure.*

*Before switching the air supply on, check hoses for sign of wear, leak or loose fittings. Replace as necessary.*

*In case of accident, immediately seek medical attention. Do no try to treat the injury yourself.*

*Use only genuine factory parts for repair.*

*Do not smoke when using / near the pump.*

*Do not use the pump near a source of spark / open flames.*

*In case of change of working fluid, at least 1 liter (or as desired) of new fluid should be discarded to avoid mixing of fluids.*

*Operate pump for not more than 4 hours continuously.*

*Use only natural compressed air for operating the pump .*

**▲ WARNING** *Make sure air quality is very good with no contaminants / moisture. This can be achieved by installing a filter unit in the air line, before the line is put into the air inlet port on the pump.*

*It is important to use an Air Regulator in the air line which will maintain constant pressure. Recommended air pressure is 85 PSI. Air Pressure must NEVER increase beyond 150 PSI as that may cause the pump to cease. At the same time, it must not fall below 60 PSI as it will make priming difficult.*

***Pump needs constant lubrication & a lubricator unit must be installed in the air line.***

This pump comes complete with drum cover, rubber lining follower plate, 7' high pressure grease hose fitted with grease control valve with Z swivel & band dolly

### Assembly

1. Slide the drum cover over the suction tube & lightly tighten the drum cover with the suction tube.
2. Remove lid from the grease drum / pail.
3. Place the follower plate in the grease drum with the lift handle facing upwards. Push the follower plate down, until some grease is forced through the centre hole on the plate.
4. Lift the pump assembly & slide the suction tube through the center hole in the follower plate. Push the pump assembly down till the bottom of the pump touches the base of the drum. Adjust the drum cover, making sure that it sits firmly on top of the grease drum.
5. Tighten the thumb screws on the drum cover to secure the drum cover with the rim of the drum. Also tighten the drum cover with the pump suction tube.
6. Connect one end of the high pressure grease hose to the pump outlet. Use a thread sealant to ensure leak-proof connection.
7. Connect the other end of the hose to the grease control valve assembly. It is recommended to use a swivel between the hose & control valve. Connect the outlet extension & coupler to the control valve outlet. Use thread sealant on all connections to ensure leak-proof working.
8. With the air supply turned off, connect the air line into the air inlet on the pump. An FRL (Filter-Regulator-Lubricator) unit must be used in the air supply, before it is connected to the pump.
9. Set the regulator to 85 PSI or any required inlet pressure, but never more than 150 PSI or less than 60 PSI.

### Operations

1. Partially open the on/off air valve. Pump will start operating automatically until it gets primed. Once primed, the air motor will stop.
2. Open the on/off air valve fully.



## Air Operated Grease Pump 50:1 with Band Dolly

3. Hold the grease control valve near a waste container & press the trigger. Pump will start operating with continuous grease discharge as long as the trigger is pressed. Release the trigger & this will stop the pump. Check for any leaks from any of the connections. Tighten all connections as required.
4. To grease, connect coupler fitted onto the control valve extension with the greasing point (grease nipple) & press trigger. Be careful not to over lubricate as the pump will keep dispensing grease as long as the trigger is pressed. Once the trigger is released, pump will stop dispensing grease & the air motor will stop.
5. When not in use & at the end of each day, air supply to the pump must be switched off.

### Recommended Use

Light & self collapsing grease upto NLGI No. 2.

### Wetted components

Steel, Brass, Aluminum & Polyurethane

### Pump Specification

Air Inlet	1/4" (F)
Pump Outlet	1/4" (F)
Working Pressure	85-150 PSI
Maximum Air Pressure	150 PSI
Air Consumption	230 lt/min (61 GPM)
Noise Level	81 db

### Troubleshooting Chart

Symptom (s)	Possible Causes(s)	Corrective Action(s)
Air motor operates, but does not dispense any grease	<ol style="list-style-type: none"> <li>1. Grease is too thick / too cold</li> <li>2. Grease drum is damaged causing the follower plate to get stuck</li> <li>3. Air pockets in grease</li> <li>4. Inlet Pressure is too less.</li> </ol>	<ol style="list-style-type: none"> <li>1. Use NLGI No.2/ thinner grease. Store grease in a warm place</li> <li>2. Replace drum. Follower plate must be able to travel all the way down freely</li> <li>3. Shake the grease drum &amp; annually force down the follower plate to remove air pockets</li> <li>4. Inlet air pressure must at least be 60 PSI. Increase inlet pressure</li> </ol>
Air motor cycles intermittently with the trigger not pressed	Leakage in the assembly	Check all the connections to ensure they are air tight. Use thread sealant.

### Warranty

#### LIMITED ONE-YEAR WARRANTY

Should this product fail to perform satisfactorily due to a defect or poor workmanship within ONE YEAR from the date of purchase, return it to the place of purchase and it will be replaced, free of charge. Incidental or consequential damages are excluded from this warranty.





## Air Operated Grease Pump 50:1 with Band Dolly

**For Repair Parts, call 1-800-323-0620**

**24 hours a day – 365 days a year**

Please provide the following:

- Model Number
- Part description and number as shown on parts list

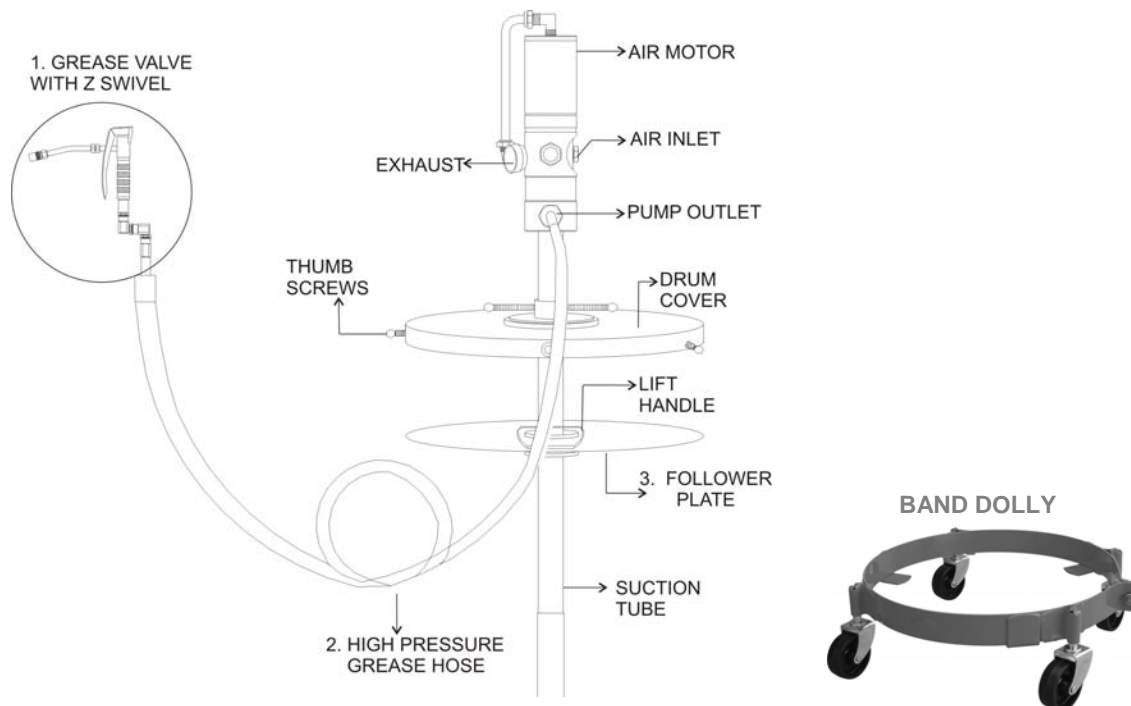


Figure 2 – Repair Parts Illustration for Model 5NUE5

### Repair Parts List

Reference Number	Description	Part Number	Qty.
1	Grease Valve with Z Swivel	TTAPG04Z14FNG	1
2	84" Hose, threaded 1/4"NPT	TTHOSGRP84NPTG	1
3	Rubber follower Plate for 5NUE3	TTFLP2412886G	1
4	Rubber follower Plate for 5NUE3	TTFLP3223806G	1
5	Band Dolly for 5NUE3	TTBDL105G	1
6	Band Dolly for 5NUE4	TTBDL120G	1
7	Air motor Kit- Tube with connections	TTKITOP01G	1
8	Muffler / Silencer Kit	TTKITOP02G	1
9	Double Plunger Kit	TTKITOP03G	1
10	Slide Valve Kit	TTKITOP04G	1
11	Air motor Kit- Gaskets & Washer	TTKITOP08G	1
12	Air Inlet Connection Kit	TTKITOP11AG	1
13	Non Return Valve Kit	TTKITOP12G	1

Manufactured for Grainger International, Inc.  
100 Grainger Pkwy., Lake Forest IL 60045 U.S.A.