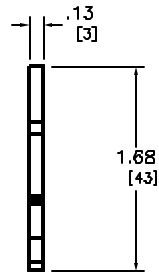
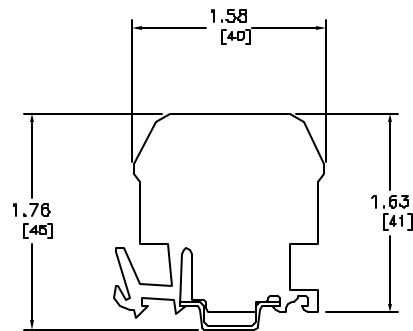


TOP



FRONT



RIGHT

Catalog Number: 808D-GM6B
 Ratings: -
 UL File/CCN: -
 CSA File/Class: -
 Meet Standards: -
 Weight: 0.01 lbs.
 Wire Size: -
 Terminal torque: -
 Mounting Hwd.: TERMINAL MOUNTING CHANNEL, 35mm DIN RAIL

DUAL DIMENSIONS: INCHES
 MILLIMETERS

TERMINAL BLOCKS
 (TYPE G) (NEMA)
 CLASS 808D TYPE GM6B



DWG# E0802601-01
 NO.