

Please read and save these instructions. Read carefully before attempting to assemble, install, operate or maintain the product described. Protect yourself and other by observing all safety information. Failure to comply with instructions could result in personal injury and /or property damage! Retain instructions for future reference.

Dayton® Rotary Barrel Pump

Description

This DAYTON® Rotary Barrel Pump is hand operated, designed for use with diesel, kerosene, gasoline, antifreeze, lubricating oils (up to SAE 90) and other non-corrosive media. Pump has aluminum die cast body, heavy duty zinc die cast rotor & vanes. Pump seals are made of Viton. The pump includes 2" cast iron bung nut, nozzle holder & die cast aluminum handle with security locking latch. The pump comes complete with a 71" rubber hose with metal nozzle, spring & hose clamp. It has a 3 piece rigid suction tube for use on 15 – 55 gallon barrels.

Specifications

Pump Type	Rotary Action
Flow	10 GPM @ 115 RPM
Maximum Fluid Temperature	140°F
Mounting	2" MNPT Bung Adapter
Inlet Size.....	1" (F) NPT
Outlet Size.....	3/4" (F) NPT
Suction Tube.....	3-Piece / Rigid
Suction Tube Overall Length.....	41"
Discharge Hose Length.....	71"
Outlet Type.....	Metal Nozzle
Wetted Materials of Construction	Aluminum, Zinc, Steel, Viton & PVC Nitrile
Maximum Viscosity.....	5000 SSU

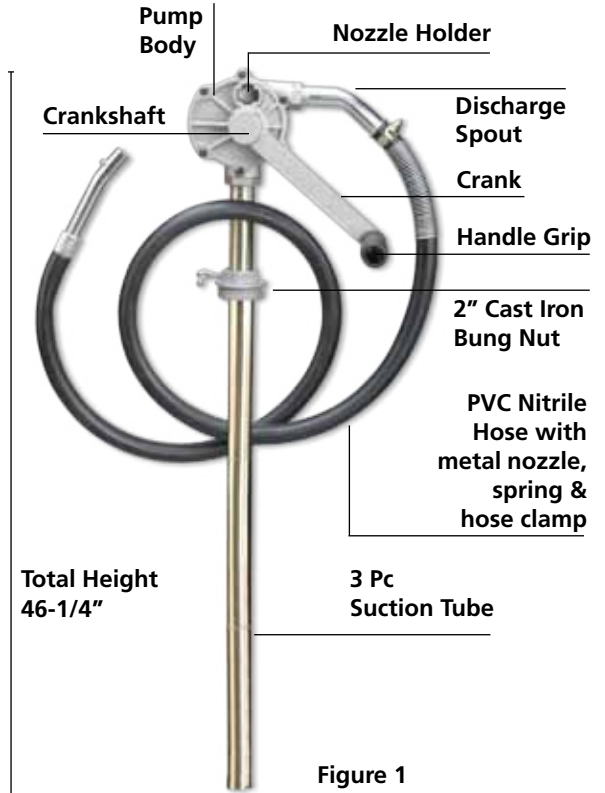


Figure 1

General Safety Information

⚠ WARNING It is the responsibility of the user to operate the pump in conformance with OSHA rules for dispensing liquids. Pump containers should be grounded when using with flammable liquids to avoid static electricity. Pump should be washed out before usage since processing lubricants could contaminate the fluids.

- When using a hand pump (especially when pumping flammable, combustible or hazardous liquids) follow all electrical and safety codes, as well as the United States Occupational Safety and Health Act (OSHA), most recent National Electrical Code (NEC), National Fire Protection, Inc.* (NFPA) Code 30 (Flammable and Combustible Code), NFPA 56A (Standard for

use of Inhalation Anesthetics), NFPA 77 (Static Electricity), NFPA 78 (Lightning Protection Code), NFPA 80 (Standard for Fire Doors and Windows), NFPA 251 (Standard Method of fire Test of Building Construction), NFPA 704 (Identification of the Fire Hazards of Materials), other NFPA codes, local codes and ordinances, as needed in a particular application.

- (*) Any of the NFPA Codes can be Obtained from : National Fire Protection Association, Inc., Batterymarch Park, Quincy, MA 0269, telephone 1-800-344-3555. Write or call for listing and prices.
- Know the pump application, limitations, and potential hazards. The "WARNING" statements indicate potential

hazardous conditions for the operator or equipment. TAKE NECESSARY STEPS TO PROTECT PERSONNEL AND EQUIPMENT. Pump should only be used with liquids compatible with pump component materials. Consult PUMP CHEMICAL COMPATIBILITY CHART and PUMP SPECIFICATIONS. Also, the chemical supplier should be consulted regarding any questions of chemical compatibility, proper and safe use and handling of chemical. Misapplication of pump or use of non-compatible liquids will void warranty.

⚠ WARNING In order to properly use this product, familiarize yourself with this pump and also with the liquid (Chemical, etc.) that is going to be pumped

Dayton® Rotary Barrel Pump

General Safety Information. (Continued)

through the unit. Although this pump is suitable for many liquids, it is NOT suitable for all liquids!

3. Pumping hazardous, flammable, or combustible liquids, should only be done in buildings, rooms, or areas suited for this purpose. (See NFPA 30, NFPA 78, NFPA 80, NFPA 251, NFPA 704, other suitable NFPA codes, OSHA, insurance companies, local codes and ordinances.)

⚠ WARNING When filling cans, drums, etc both container pumping from and container pumping to should be bonded and grounded to dissipate possible accumulations of static electricity, and minimize sparks caused by static electricity (Refer to NFPA 77 for specifics and further details).

⚠ WARNING Removal of outer garments in work areas where there may be liquids, which are ignitable with low Electrical energy, can be fatal and / or cause property damage (Refer to NFPA 77 for specifics and further details).

4. The "WARNING" and instructions for gasoline below pertain not only to gasoline, but to any flammable, combustible or hazardous fluid.

⚠ WARNING The improper use, handling or storage of flammable liquids can be dangerous. Prevent accidents by following these safety rules:

- a. Use only an approved container to hold or store flammable liquids. Never store flammable liquids in familiar containers such as milk containers or soda pop bottles.
- c. Store flammable liquids in a cool location, out of the reach of children. Never store flammable liquids near heat or an open flame.
- d. Provide a fire extinguisher nearby when working with flammable liquids. Be sure extinguisher is in

operating condition – check the pressure gauge or indicator. Be familiar with its proper use. Consult local fire department for the correct type of extinguisher for your application. Extinguishers rated ABC by the National Fire Protection Association are appropriate for most applications.

- e. Provide positive shut-off valves on all permanent fuel supplies. Fuel lines must be of steel piping, adequately secured, and free from leaks.
- f. Provide adequate ventilation, clean up any spills when handling or pumping flammable liquids.
- g. POSITIVELY NO SMOKING!
5. Do not use torches or apply fire or flame to this pump for any reason.
6. Secure the discharge line before using the pump. An unsecured discharge line will slip, possibly causing personal injury and/ or property damage.
7. Do not overtighten threaded fittings. One full turn past hand tight is usually enough to prevent Leakage. PTFE thread sealant tape should be used on all threaded joints, including the spout.
8. Check hoses for weak or worn condition before each use, making certain that all connections are secure.
9. Periodically inspect pump and system components. Perform routine maintenance as required.
10. Drain all liquids from the system before servicing.

⚠ WARNING Any pump used to transfer flammable liquids must be stored in a well ventilated area after use.

PERSONAL SAFETY

1. Wear safety glasses at all times when working with pump.
2. Wear a face shield, proper apparel and suitable respiratory equipment when pumping

hazardous chemicals.

3. Keep work area clean, uncluttered and properly lighted. Replace all unused tools and equipment.
4. Keep visitors at a safe distance from the work area.
5. Make workshop childproof, with padlocks.

⚠ WARNING Failure to follow all general safety information can result in a fatality, personal injury and/or property damage!

⚠ WARNING Do not use the pump with water based fluids, corrosive liquids, solvents, acids, alkalis etc.

⚠ WARNING

The above sign warns the user about hazards that COULD cause serious personal injury, death or major property damage if ignored.

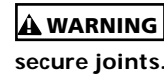
Assembly and Installation (Refer Fig. 1 - Page 1)

1. Fasten the discharge spout into the pump outlet. Use a thread sealant for a leak proof connection. Connect the hose assembly to the end of the discharge Spout using the hose clamp.
2. Loosen the grub screw on the crank & connect the crank to the crankshaft. Secure the connection by tightening the grub screw. Make sure that the grub screw fits onto the depression in the crankshafts.
3. Assemble the suction tube parts, depending on the drum with which the pump is to be used. All 3 parts must be connected for use with 55 gallon / 205 litre drums. It is good practice to use a sealant such as PTFE in connecting the suction tube parts for a totally leak-proof connection.

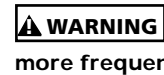
Dayton® Rotary Barrel Pump

4. Slide the 2" bung nut onto the suction tube from the top end.
5. Tighten the suction tube onto the pump inlet. It is good practice to use a sealant such as PTFE in connecting the suction tube to the pump inlet.
6. Insert the pump assembly into the drum from the 2" bung opening on the drum.
7. Once the bottom of the suction tube touches the base of the drum, securely fasten the bung onto the drum. Now tighten the bung onto the suction tube.
8. When using the pump for the first

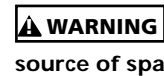
- time or after an extended period of time or using the pump to lift fuels/ low viscosity media; make sure to prime before use. To prime, pour 1 oz. of media being pumped into the pump outlet. Rotate the pump handle till pump starts dispensing. In everyday use, it may take about 10 rotations of the crank for pump to start dispensing.
9. When not in use, you may choose to lock the pump using a padlock. Crank has a link under it which fits onto the lock latch on the pump body. You may also use the nozzle holder, located just above the crank & crank shaft connection, to store the hose when not in use.



WARNING Use PTFE tape or proper sealant to secure joints.



WARNING Fuels containing Ethanol will cause more frequent replacement of rubber parts.



WARNING Never operate the pump near fire or source of spark. Some media may be explosive & dangerous to pump.

LIMITED WARRANTY

DAYTON ONE-YEAR LIMITED WARRANTY. DAYTON® ROTARY BARREL PUMP, MODELS COVERED IN THIS MANUAL, ARE WARRANTED BY DAYTON ELECTRIC MFG. CO. (DAYTON) TO THE ORIGINAL USER AGAINST DEFECTS IN WORKMANSHIP OR MATERIALS UNDER NORMAL USE FOR ONE YEAR AFTER DATE OF PURCHASE. ANY PART WHICH IS DETERMINED TO BE DEFECTIVE IN MATERIAL OR WORKMANSHIP AND RETURNED TO AN AUTHORIZED SERVICE LOCATION, AS DAYTON DESIGNATES, SHIPPING COSTS PREPAID, WILL BE, AS THE EXCLUSIVE REMEDY, REPAIRED OR REPLACED AT DAYTON'S OPTION. FOR LIMITED WARRANTY CLAIM PROCEDURES, SEE "PROMPT DISPOSITION" BELOW. THIS LIMITED WARRANTY GIVES PURCHASERS SPECIFIC LEGAL RIGHTS WHICH VARY FROM JURISDICTION TO JURISDICTION.

LIMITATION OF LIABILITY. TO THE EXTENT ALLOWABLE UNDER APPLICABLE LAW, DAYTON'S LIABILITY FOR CONSEQUENTIAL AND INCIDENTAL DAMAGES IS EXPRESSLY DISCLAIMED. DAYTON'S LIABILITY IN ALL EVENTS IS LIMITED TO AND SHALL NOT EXCEED THE PURCHASE PRICE PAID

WARRANTY DISCLAIMER. A DILIGENT EFFORT HAS BEEN MADE TO PROVIDE PRODUCT INFORMATION AND ILLUSTRATE THE PRODUCTS IN THIS LITERATURE ACCURATELY; HOWEVER, SUCH INFORMATION AND ILLUSTRATIONS ARE FOR THE SOLE PURPOSE OF IDENTIFICATION, AND DO NOT EXPRESS OR IMPLY A WARRANTY THAT THE PRODUCTS ARE MERCHANTABLE, OR FIT FOR A PARTICULAR PURPOSE, OR THAT THE PRODUCTS WILL NECESSARILY CONFORM TO THE ILLUSTRATIONS OR DESCRIPTIONS. EXCEPT AS PROVIDED BELOW, NO WARRANTY OR AFFIRMATION OF FACT, EXPRESSED OR IMPLIED, OTHER THAN AS STATED IN THE "LIMITED WARRANTY" ABOVE IS MADE OR AUTHORIZED BY DAYTON.

Technical Advice and Recommendations, Disclaimer. Notwithstanding any past practice or dealings or trade custom, sales shall not include the furnishing of technical advice or assistance or system design. Dayton assumes no obligations or liability on account of any unauthorized recommendations, opinions or advice as to the choice, installation or use of products.

PRODUCT SUITABILITY. Many jurisdictions have codes and regulations governing sales, construction, installation, and/or use of products for certain purposes, which may vary from those in neighboring areas. While Dayton attempts to assure that its products comply with such codes, it cannot guarantee compliance, and cannot be responsible for how the product is installed or used. Before purchase and use of a product, review the product applications, and all applicable national and local codes and regulations, and be sure that the product, installation, and use will comply with them.

Certain aspects of disclaimers are not applicable to consumer products; e.g., (a) some jurisdictions do not allow the exclusion or limitation of incidental or consequential damages, so the above limitation or exclusion may not apply to you; (b) also, some jurisdictions do not allow a limitation on how long an implied warranty lasts, consequently the above limitation may not apply to you; and (c) by law, during the period of this Limited Warranty, any implied warranties of implied merchantability or fitness for a particular purpose applicable to consumer products purchased by consumers, may not be excluded or otherwise disclaimed.

PROMPT DISPOSITION. Dayton will make a good faith effort for prompt correction or other adjustment with respect to any product which proves to be defective within limited warranty. For any product believed to be defective within limited warranty, first write or call dealer from whom the product was purchased. Dealer will give additional directions. If unable to resolve satisfactorily, write to Dayton at address below, giving dealer's name, address, date, and number of dealer's invoice, and describing the nature of the defect. Title and risk of loss pass to buyer on delivery to common carrier. If product was damaged in transit to you, file claim with carrier.

Manufactured for Dayton Electric Mfg. Co., 100 Grainger Parkway, Lake Forest, Illinois 60045-5201 U.S.A



For Repair Parts, call 1-800-Grainger

24 hours a day – 365 days a year

Please provide following information:
 - Model number
 - Part description and number as shown in part list

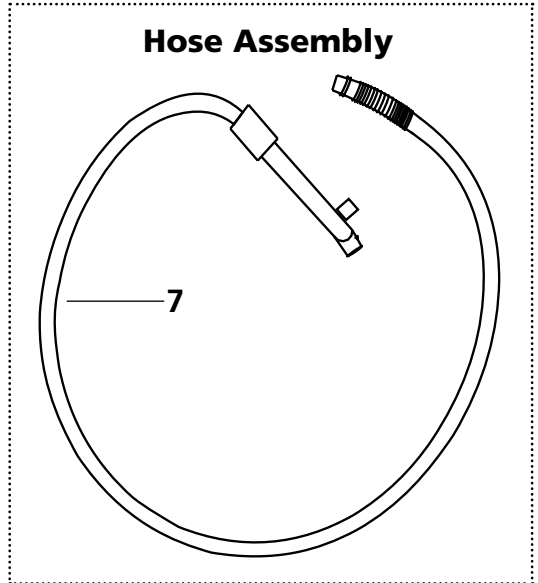
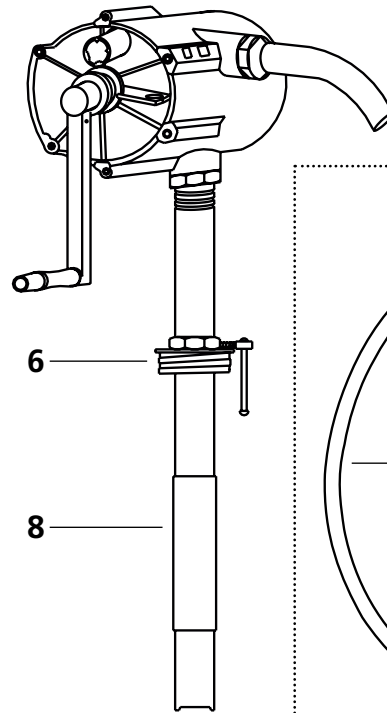
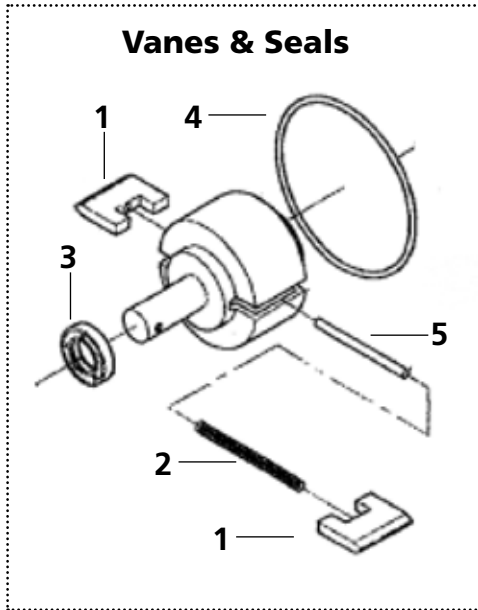


Figure 2- Repair Parts Illustration for Dayton® Rotary Barrel Pump

Repair Parts List for Dayton® Rotary Barrel Pump

Reference Number	Description	Part Number	Quantity
	Seal Kit	PPKIT01RB1VG	1
1	Vane	*	2
2	Vane Spring	*	1
3	Oil Seal (Viton)	*	1
4	O Ring (Viton)	*	1
5	Vane Pin	*	1
6	Bung Nut	PPGNBDN01SLVG	1
7	Hose Assembly	PPSAHOSBPA2G	1
8	Suction Tube	PPGNB3R01G	1

(* Available only as a kit)

Troubleshooting Chart

Symptom	Possible Cause(s)	Corrective Action
Pump does not dispense / dispenses less fluid	1. Pump not able to create adequate suction	1. Prime the pump. Pour about 1 oz. of the fluid being pumped, into the outlet & operate the pump handle till fluid starts dispensing
	2. Pump is drawing in air, instead of fluid	2. Tighten suction tube & pump inlet connection with PTFE tape or a suitable thread sealant.
Leakage of media from the crankshaft or between the cover plate & pump body	Damaged seal due to use with media not suitable for use with pump	Seal needs to be replaced

ENGLISH

Por favor lea y guarde estas instrucciones. Léelas cuidadosamente antes de tratar de montar, instalar, operar o dar mantenimiento al producto aquí descrito. Protéjase usted mismo y a los demás siguiendo toda la información de seguridad. ¡El no cumplir con las instrucciones puede ocasionar daños, tanto personales como en la propiedad! Guarde estas instrucciones para referencia en el futuro.

Dayton® Bomba Rotativa Manual

Descripción

Este DAYTON® es mano de la bomba del barril rotatorio operado, diseñado para su uso con diesel, queroseno, gasolina, anticongelante, aceites lubricantes (hasta SAE 90) y otros medios no corrosivos. Bomba con cuerpo de fundición de aluminio a presión, resistente de zamak rotor y paletas de yeso. Sellos de las bombas son de Viton. La bomba incluye 2 "de hierro fundido tuerca tapón, soporte para tubo y morir mango de aluminio fundido con brida de seguridad. La bomba viene completo con un "tubo de goma 71 con boquilla de metal, primavera y abrazadera de la manguera tiene un trozo de tubo de aspiración 3 rígido para su uso en 15 - . 55 galones de barriles.

Especificaciones

Tipo de bomba	Acción de Rotary
Flujo	10 GPM @ 115 RPM
Máxima temperatura del fluido	140 ° F
Montaje	2 " Adaptador Bung MNPT
Tamaño de la entrada	1 "(F) NPT
Tamaño de la salida	3/4 "(F) NPT
Tubo de succión	3 piezas / Rigid
Tubo de succión Longitud	41 "
Descargue Longitud de la manguera	71 "
Tipo de salida	Boquilla de metal
Materiales mojados de construcción	Aluminio, Zinc, Acero, Viton y nitrilo PVC
Viscosidad máxima	5000 SSU

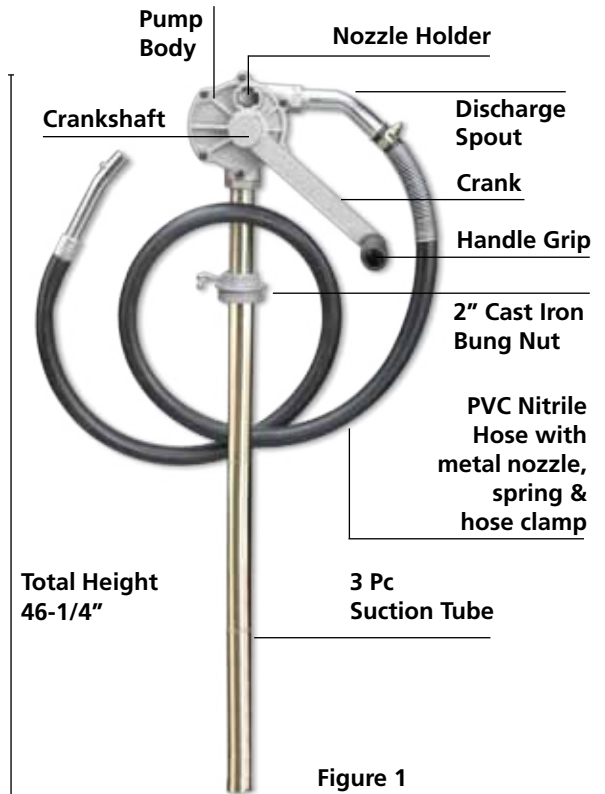


Figure 1

INFORMACIÓN DE SEGURIDAD GENERAL

⚠ ADVERTENCIA El usuario tiene la responsabilidad de manejar la bomba en conformidad con las normas OSHA para dispensación de líquidos. Cuando use líquidos inflamables, los recipientes de las bombas deben estar puestos a tierra para evitar electricidad estática. Se debe lavar la bomba antes de utilizarla, ya que los lubricantes del proceso pueden dejar residuos que contaminen los líquidos.

1. Cuando utilice una bomba manual (especialmente cuando bombee líquidos inflamables, combustibles o peligrosos) cumpla con todos los códigos eléctricos y de seguridad, así como con la Ley de Seguridad y Salud Ocupacional de los Estados Unidos (OSHA); I más reciente Código Eléctrico Nacional (NEC); el

Código 30 (Código de Sustancias Inflamables y Combustibles) de Protección contra incendios* (NFPA); NFPA 56A (Norma para el Uso de Anestésicos inhalatorios); NFPA 77 (Electricidad Estática); NFPA 78 (Código de Protección contra Descargas Eléctricas Atmosféricas); NFPA 80 (Normas para Puertas y Ventanas Cortafuego); NFPA 251 (Método Estándar de Ensayos de Incendio en Construcción de Edificaciones); NFPA 704 (Identificación de los Riesgos de Incendio de Materiales); y otros códigos de la NFPA, leyes y regulaciones de las localidades, según se requieran en aplicaciones particulares.

(*) Todo código de la NFPA se puede conseguir a través de: National Fire Protection Association, Inc., Battery

march Park, Quincy, MA 0269, teléfono 1-800-344-3555. Puede solicitar la lista y los precios por correo o teléfono.

2. Familiarícese con la aplicación, restricciones y peligros potenciales de la bomba. Los enunciados de "ADVERTENCIA" indican condiciones de riesgo potencial para el operador o el equipo. TOME LAS MEDIDAS NECESARIAS PARA PROTEGER AL PERSONAL Y AL EQUIPO. La bomba se debe utilizar únicamente con líquidos compatibles con los materiales componentes de la bomba. Consulte el CUADRO DE COMPATIBILIDAD QUÍMICA DE LA BOMBA y ESPECIFICACIONES DE A BOMBA. Además, consulte al proveedor de sustancias químicas en relación con cualquier pregunta

Dayton® Bomba Rotativa Manual

de compatibilidad química, así como el uso y manejo adecuado y seguro de las sustancias químicas. La aplicación incorrecta de la bomba o el uso de líquidos no compatibles anulará la garantía.

General Safety Information. (Continued)

ADVERTENCIA Con el fin de utilizar correctamente este producto, que se familiarice con esta bomba y también con el líquido (química, etc) que va a ser bombeada a través de la unidad. Aunque esta bomba es adecuada para muchos líquidos, no es adecuado para todos los líquidos!

3. Bombeo de líquidos peligrosos, inflamables o combustibles, se debe hacer solamente en Buildings, habitaciones o espacios adecuados para este propósito. (Consulte la norma NFPA 30, NFPA 78, NFPA 80, NFPA 251, 704 NFPA, podrán emplearse otros códigos de la NFPA, OSHA, compañías de seguros, los códigos y ordenanzas locales.)

ADVERTENCIA Al llenar latas, tambores, etc, tanto de contenedores y contenedores de bombeo de bombeo debe estar conectado a tierra para disipar las posibles acumulaciones de electricidad estática, y minimize chispas causadas por la electricidad estática (Consultar NFPA 77 para obtener detalles y más detalles).

ADVERTENCIA La eliminación de prendas exteriores en áreas de trabajo donde pueda haber líquidos inflamables, que son la energía eléctrica de baja, puede ser fatal y / o causar daños de propiedad (Consultar NFPA 77 para obtener detalles y más detalles).

4. El "ADVERTENCIA" y las instrucciones de la gasolina por debajo pertenecen no sólo a la gasolina, sino también a cualquier líquido inflamable, combustible o peligrosos.

ADVERTENCIA La gasolina es altamente inflamable. El uso, manejo, o almacenamiento de la gasolina puede ser peligroso. Accidentes Previent siguiendo estas reglas de seguridad:.

- Usar sólo gasolina como combustible, nunca como un fluido de limpieza.
- Usar solo un contenedor apropiado para contener o almacenar gasolina. Nunca almacene gasolina en recipientes conocidos como envases de leche o botellas de soda pop.
- Almacene la gasolina en un lugar fresco y fuera del alcance de los niños. Nunca almacene gasolina cerca del calor o de una llama abierta.
- Proveer un extintor cerca al trabajar con gasolina. Asegúrese de extintor se encuentra en estado de funcionamiento - Comprobar que el manómetro o indicador. Estar familiarizado con su uso adecuado. Consulte al departamento local de bomberos para el tipo correcto de extinguidor para su aplicación. Extintores clasificación ABC por la Asociación Nacional de Protección contra Incendios son adecuados para la mayoría de aplicaciones.
- Proporcionar positivos válvulas de corte en todos los suministros de combustible permanentes. Las líneas de combustible deben ser de tubo de acero, asegurada adecuadamente y libre de fugas.
- Proveer una ventilación adecuada, limpie cualquier derrame al manipular o bombear líquidos

inflamables.

- POSITIVAMENTE NO FUMAR!
- No use antorchas o aplicar fuego o llama a esta bomba, por cualquier motivo.
- Asegure la tubería de descarga antes de arrancar la bomba. Una línea de descarga que no se deslice, lo que puede causar lesiones personales y / o daños materiales.
- No apriete en exceso no metálicos roscados. Una vez pasado lleno apretado con la mano suele ser suficiente para evitar fugas. PTFE cinta selladora debe ser usado en todas las uniones roscadas, incluyendo la boquilla.
- Verifique que las mangueras están débiles o gastadas antes de cada uso, asegurándose de que todas las conexiones son seguras
- Inspeccione periódicamente la bomba y los componentes del sistema. Realizar el mantenimiento de rutina según sea necesario.
- Drene todos los líquidos del sistema antes de darle servicio

ADVERTENCIA Cualquier bomba que se utiliza para transferir líquidos inflamables deben ser almacenados en un área bien ventilada después de su uso.

NORMAS DE SEGURIDAD PERSONAL

- Siempre use gafas de protección cuando trabaje con la bomba
- Use un protector facial, vestimenta adecuada y un equipo de respiración adecuado cuando bombee sustancias químicas peligrosas.
- Mantenga el área limpia, sin obstáculos y adecuadaente iluminada; evuelva a su sitio todas las herramientas y equipo no utilizados.

Dayton® Bomba Rotativa Manual

4. Mantenga a los visitantes una distancia prudente del área de trabajo.
5. Impida el acceso al taller por parte de los niños, mediante candados e interruptores maestros, y retirando las llaves de arranque.

ADVERTENCIA El incumplimiento de toda la información general de seguridad puede resultar en un daño de fallecimientos, lesiones personales y / o materiales!

ADVERTENCIA No utilice la bomba con fluidos a base de agua, líquidos corrosivos, solventes, ácidos, álcalis, etc

ADVERTENCIA El letrero sobre advierte al usuario sobre los peligros que pueden ocasionar lesiones personales graves, muerte o daños materiales considerables si se ignoran.

Assembly and Installation (Refer dibujo. 1 - Page 1)

1. Fije el tubo de descarga en la salida de la bomba. Utilice por lo menos un sellador para una conexión a prueba de fugas. Conectar el ensamblaje de la manguera hasta el final del pico de descarga utilizando la abrazadera de manguera.
2. Afloje el tornillo prisionero en la manivela y conectar la biela al cigüeñal. Asegure la conexión apretando el tornillo prisionero. Asegúrese de que el prisionero se ajusta a la depresión en las cigüeñales.
3. Montar las partes de tubo de aspiración, dependiendo del tambor con el que la bomba se va a utilizar. Todas las 3 partes deben estar conectados para el uso con 55 galones / 205 litros tambores. Es una buena práctica utilizar un sellador como PTFE en la conexión de las partes de tubo de succión para una conexión totalmente a prueba de fugas.
4. Deslizar el 2 "tuerca de tapón sobre el tubo de succión desde el extremo superior.
5. Apriete el tubo de succión en la entrada de la bomba. Es una buena práctica utilizar un sellador como PTFE en la conexión del tubo de aspiración a la entrada de la bomba.
6. Inserte el conjunto de la bomba en el tambor desde el brocal de 2 "en el tambor.
7. Una vez que la parte inferior del tubo de aspiración toque la base del tambor, sujetar el tapón en el tambor. Ahora apretar el tapón en el tubo de aspiración.
8. Cuando se utiliza la bomba para la primera vez o después de un período prolongado de tiempo o el uso de la bomba para levantar combustibles / fluidos de baja viscosidad; asegurarse de que debe antes de uso. Para cebar, vierta 1 oz de los medios de comunicación que se bombea a la salida de la bomba. Gire la manija de la bomba hasta que la bomba comienza a dispensar. En el uso diario, puede tardar cerca de 10 giros de la manivela de la bomba para iniciar la dispensación.
9. Cuando no está en uso, se puede optar por bloquear la bomba con un candado. Crank tiene un enlace debajo de ella, que encaja en el pestillo de bloqueo en el cuerpo de la bomba. También puede utilizar el soporte de la boquilla, que se encuentra justo por encima de la conexión del cigüeñal y biela, para almacenar la manguera cuando no esté en uso.

ADVERTENCIA Utilice cinta de PTFE o sellador adecuado para asegurar las uniones.

ADVERTENCIA Los combustibles que contienen etanol causarán una sustitución más frecuente de piezas de caucho

ADVERTENCIA Nunca haga funcionar la bomba cerca del fuego o fuente de chispas. Algunos medios de comunicación pueden ser explosivo y peligroso a la bomba.

Dayton® Bomba Rotativa Manual

LIMITED WARRANTY

DAYTON ONE-YEAR LIMITED WARRANTY. DAYTON® ROTARY BARREL PUMP, MODELS COVERED IN THIS MANUAL, ARE WARRANTED BY DAYTON ELECTRIC MFG. CO. (DAYTON) TO THE ORIGINAL USER AGAINST DEFECTS IN WORKMANSHIP OR MATERIALS UNDER NORMAL USE FOR ONE YEAR AFTER DATE OF PURCHASE. ANY PART WHICH IS DETERMINED TO BE DEFECTIVE IN MATERIAL OR WORKMANSHIP AND RETURNED TO AN AUTHORIZED SERVICE LOCATION, AS DAYTON DESIGNATES, SHIPPING COSTS PREPAID, WILL BE, AS THE EXCLUSIVE REMEDY, REPAIRED OR REPLACED AT DAYTON'S OPTION. FOR LIMITED WARRANTY CLAIM PROCEDURES, SEE "PROMPT DISPOSITION" BELOW. THIS LIMITED WARRANTY GIVES PURCHASERS SPECIFIC LEGAL RIGHTS WHICH VARY FROM JURISDICTION TO JURISDICTION.

LIMITATION OF LIABILITY. TO THE EXTENT ALLOWABLE UNDER APPLICABLE LAW, DAYTON'S LIABILITY FOR CONSEQUENTIAL AND INCIDENTAL DAMAGES IS EXPRESSLY DISCLAIMED. DAYTON'S LIABILITY IN ALL EVENTS IS LIMITED TO AND SHALL NOT EXCEED THE PURCHASE PRICE PAID

WARRANTY DISCLAIMER. A DILIGENT EFFORT HAS BEEN MADE TO PROVIDE PRODUCT INFORMATION AND ILLUSTRATE THE PRODUCTS IN THIS LITERATURE ACCURATELY; HOWEVER, SUCH INFORMATION AND ILLUSTRATIONS ARE FOR THE SOLE PURPOSE OF IDENTIFICATION, AND DO NOT EXPRESS OR IMPLY A WARRANTY THAT THE PRODUCTS ARE MERCHANTABLE, OR FIT FOR A PARTICULAR PURPOSE, OR THAT THE PRODUCTS WILL NECESSARILY CONFORM TO THE ILLUSTRATIONS OR DESCRIPTIONS. EXCEPT AS PROVIDED BELOW, NO WARRANTY OR AFFIRMATION OF FACT, EXPRESSED OR IMPLIED, OTHER THAN AS STATED IN THE "LIMITED WARRANTY" ABOVE IS MADE OR AUTHORIZED BY DAYTON.

Technical Advice and Recommendations, Disclaimer. Notwithstanding any past practice or dealings or trade custom, sales shall not include the furnishing of technical advice or assistance or system design. Dayton assumes no obligations or liability on account of any unauthorized recommendations, opinions or advice as to the choice, installation or use of products.

PRODUCT SUITABILITY. Many jurisdictions have codes and regulations governing sales, construction, installation, and/or use of products for certain purposes, which may vary from those in neighboring areas. While Dayton attempts to assure that its products comply with such codes, it cannot guarantee compliance, and cannot be responsible for how the product is installed or used. Before purchase and use of a product, review the product applications, and all applicable national and local codes and regulations, and be sure that the product, installation, and use will comply with them.

Certain aspects of disclaimers are not applicable to consumer products; e.g., (a) some jurisdictions do not allow the exclusion or limitation of incidental or consequential damages, so the above limitation or exclusion may not apply to you; (b) also, some jurisdictions do not allow a limitation on how long an implied warranty lasts, consequently the above limitation may not apply to you; and (c) by law, during the period of this Limited Warranty, any implied warranties of implied merchantability or fitness for a particular purpose applicable to consumer products purchased by consumers, may not be excluded or otherwise disclaimed.

PROMPT DISPOSITION. Dayton will make a good faith effort for prompt correction or other adjustment with respect to any product which proves to be defective within limited warranty. For any product believed to be defective within limited warranty, first write or call dealer from whom the product was purchased. Dealer will give additional directions. If unable to resolve satisfactorily, write to Dayton at address below, giving dealer's name, address, date, and number of dealer's invoice, and describing the nature of the defect. Title and risk of loss pass to buyer on delivery to common carrier. If product was damaged in transit to you, file claim with carrier.

Para Piezas Remontas, Llame 1-800-Grainger 24 Horas Al Día-365 Días Al Año

Por favor proporcione la siguiente información:

- Número del modelo
- Descripción y número como se muestra en la lista de piezas

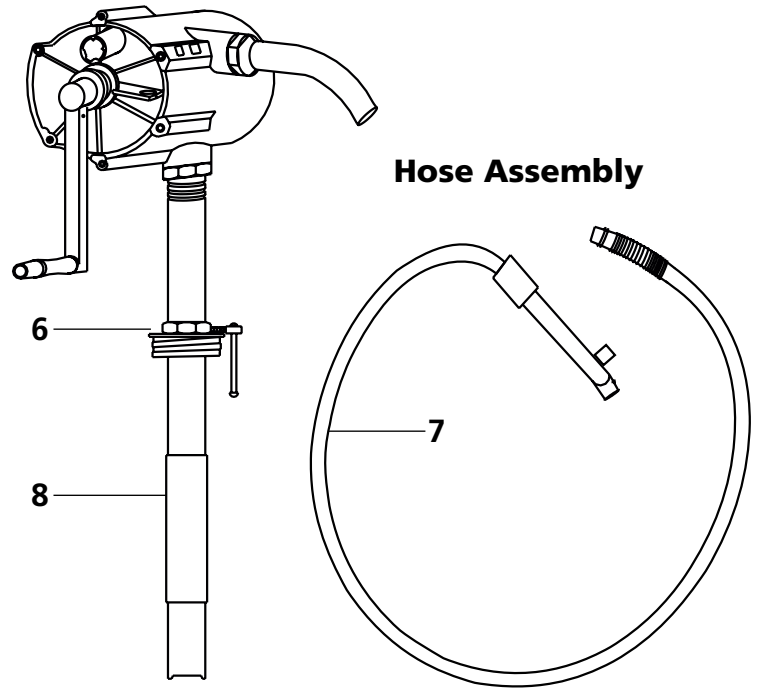
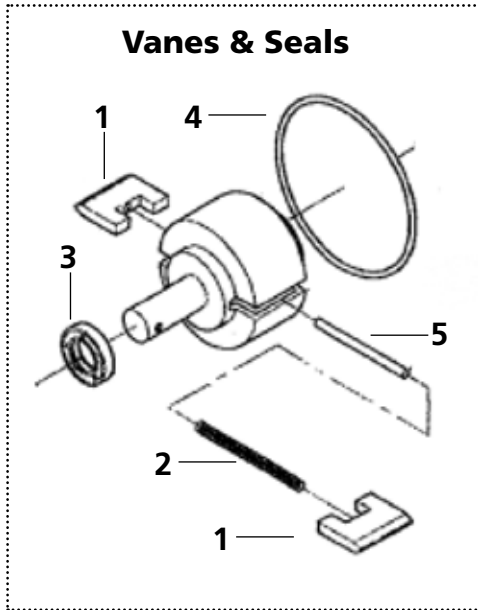


Figure 2- Repair Parts Illustration for Dayton® Rotary Barrel Pump

Lista de Repuestos para bombas barril Rotary Dayton ®

Referencia Número	Descripción	Número de pieza	Cantidad
	Sello de Kit	PPKIT01RB1VG	1
1	Veleta	*	2
2	Vane Primavera	*	1
3	Oil Seal (Viton)	*	1
4	O Ring (Viton)	*	1
5	Vane Pin	*	1
6	Bung Nut	PPGNBDN01SLVG	1
7	Armado de la tubería	PPSAHOSBPA2G	1
8	Tubo de succión	PPGNB3R01G	1

(*) Sólo está disponible en un kit

Tabla de resolución de problemas

Síntoma	Posibles Causas	Acción Correctiva
Bomba no dispensa / prescinde menos fluidos	1. La bomba no puede crear una succión adecuada	1. Cebarr la bomba. Vierta aproximadamente 1 oz de que se bombea el fluido, en el salida y operar la manija de la bomba hasta que líquido comienza dispensación
	2. La bomba está dibujando en el aire, en lugar de líquido	2. Apriete el tubo de aspiración y la bomba de entrada de conexión con cinta de PTFE o de una adecuada thread sellador.
La fuga de los medios de comunicación desde el cigüeñal o entre la tapa y el cuerpo de la bomba	Dañado sello debido al uso de medios no adecuados para su uso con la bomba	Sello necesita ser reemplazado

Veillez lire et respecter ces instructions. Lisez attentivement avant de tenter d'assembler, d'installer, d'utiliser ou de réparer le produit présenté. Protégez-vous et protégez votre entourage en respectant toutes les consignes de sécurité. Tout manquement pourrait induire des dommages corporels et/ou des dégâts matériels! Conservez ces instructions pour toute utilisation future.

Dayton® Pompe À Rotation Manuelle

Description

Cette DAYTON® pompe vide-fût rotatif est actionné à la main, conçu pour être utilisé avec Diesel, kérosène, de l'antigel, Huiles de chauffage, huiles pour moteurs, huiles lubrifiantes (jusqu'à SAE 90), certains solvants et autres médias non-corrosifs. Il a une double opération directionnel qui permet à la pompe à la fois des conteneurs vides ou recharge. corps de pompe est en fonte robuste avec précision usinées ailettes en fonte pour une meilleure traction et une livraison plus lisse. joints de la pompe sont faits de Viton La pompe est livrée avec 2 "en fonte écrou de bonde, métal bec courbé, buse étui et 3 pièces tube d'aspiration rigide pour une utilisation sur 15 -.. 55 barils gallon Il est une botte en caoutchouc sur bonde écrou pour maintenir l'eau de pluie et de contaminants à l'écart.

Caractéristiques

Type de pompe	Action du Rotary
Débit	10 GPM @ 120 RPM
Fluide Température maximale	140 ° F
Montage	2 "adaptateur de bonde MNPT
Entrée / Sortie Taille	1 "
Tube d'aspiration	3 pièces / Rigide
Longueur du tube d'aspiration	24-4 / 5 "à 41"
Décharge Longueur du tube	7 "
Type de sortie	Décharge bec courbé
Matériaux de construction mouillés	Acier, fonte et Viton
Viscosité maximale	5000 SSU

Informations générales de Sécurité

AVERTISSEMENT C'est la responsabilité de l'utilisateur d'exploiter la pompe dans la conformité avec des règles d'OSHA à distribuer des liquides. Les conteneurs de pompe devraient être fondés en utilisant avec des liquides inflammables pour éviter l'électricité statique. La pompe devrait être lavée d'avant que l'utilisation depuis le traitement de lubrifiants ne puisse contaminer les liquides.

1. En utilisant une pompe manuelle (particulièrement pendant pompage des liquides inflammables, combustibles ou angereux) suivent tous les codes électriques et de sécurité, aussi bien que la Loi sur la santé et la sécurité

du travail des états-Unis, le Code d'Électricité national le plus récent (NEC), L'Association nationale de protection contre l'incendie (NFPA) le Code 30 (Code Inflammable et Combustible), NFPA 56A (Norme pour utilisation d'Anesthésiques d'Inhalation), NFPA 77 (Électricité Statique), NFPA 78 (Code de protection de Foudre), NFPA 80 (Normepour Portes anti-incendie et Fenêtres), NFPA 251 (la Méthode Standard d'essai de résistance au feu de la Construction), NFPA 704 (l'Identification des Dangers d'incendie de Matières), d'autre NFPA code, des codes locaux et des ordonnances, comme écessaire dans une application particulière.

(*) Les Codes de NFPA peut être

obtenue : National Fire Protection Association, Inc., Batterymarch Park, Quincy, MA 0269, téléphone : 1-800-344-3555. Écrivez ou appelez pour la fiche descriptive et des prix.

2. Connaissez l'application e pompe, des limitations et des hasards Potentiels. Les déclarations "AVERTISSEMENT" indiquent des conditions dangereuses potentielles pour l'opérateur ou l'équipement. **PRENEZ DES ACTIONS NÉCESSAIRES POUR PROTÉGER LE PERSONNEL ET L'ÉQUIPEMENT.** Les pompes devraient seulement être utilisées avec des liquides compatibles avec des matériels composant de pompes. Consultez le **DIAGRAMME DE COMPATIBILITÉ DE PRODUIT CHIMIQUE DE POMPE** et **LES CARACTERISTIQUES**

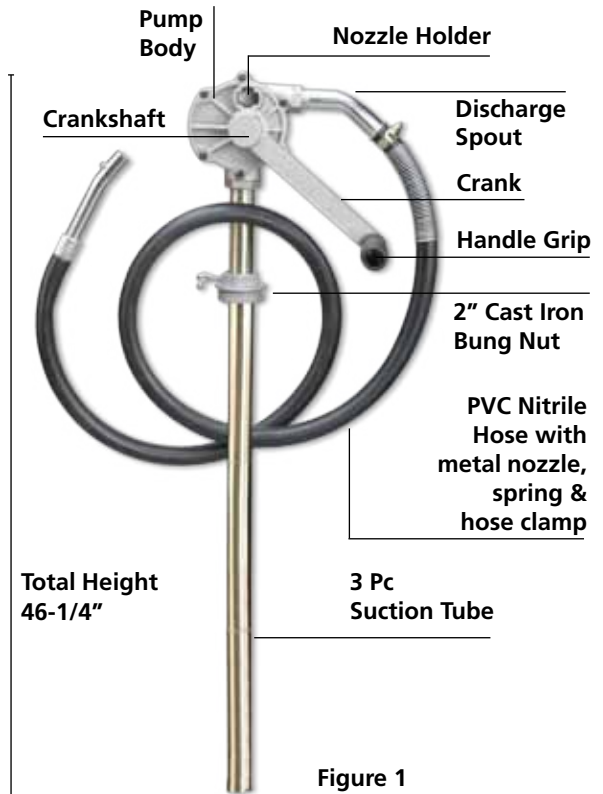


Figure 1

Dayton® Pompe À Rotation Manuelle

Informations générales de Sécurité (continué)

TECHNIQUES DE POMPE.

Aussi, on devrait consulter le fournisseur chimique quant à n'importe quelles questions de la compatibilité chimique, l'utilisation appropriée et sûre et le traitement de produit chimique. L'usage impropre de pompe ou l'utilisation de liquides non compatibles annulera la garantie.

⚠ AVERTISSEMENT Pour utiliser correctement ce produit, familiarisez-vous avec cette pompe et aussi avec le liquide (produits chimiques, etc) qui va être pompé à travers l'unité. Bien que cette pompe est adaptée pour de nombreux liquides, il n'est pas approprié pour tous les liquides!

3. Pompage de liquides dangereux, inflammables ou combustibles, devrait se faire que dans buldings, pièces ou espaces appropriés à cet effet. (Voir la norme NFPA 30, NFPA 78, NFPA 80, NFPA 251, NFPA 704, peut être utilisé d'autres codes NFPA, OSHA, compagnies d'assurance, les codes et règlements locaux.)

⚠ AVERTISSEMENT En remplissant des boîtes, des tambours, etc. avec des liquides combustibles, tant le conteneur de pompage que du conteneur de pompage à, devraient être collés et fondés pour dissiper les accumulations possibles d'électricité statique et réduire au minimum des étincelles causées par l'électricité statique (Référez-vous à NFPA 77 pour des détails et de nouveaux détails).

⚠ AVERTISSEMENT Enlèvement de dessus dans les zones de travail où il peut y avoir des liquides, qui sont inflammables à l'énergie

électrique à faible, peut être fatale et / ou des dommages matériels cause (Reportez-vous à NFPA 77 pour plus de détails et d'autres détails).

4. Le "AVERTISSEMENT" et les instructions pour l'essence ci-dessous se rapportent non seulement à l'essence, mais à n'importe quel inflammable, inflammable ou dangereux.

⚠ AVERTISSEMENT L'essence est hautement inflammable. L'utilisation abusive, de manipulation ou de stockage de l'essence peut être dangereux. Accidents Pervent en suivant ces règles de sécurité.:

- a. Utiliser de l'essence seulement comme carburant, jamais comme un fluide de nettoyage.
- b. Utilisez seulement un contenant approuvé pour tenir ou stocker l'essence. Ne jamais entreposer de l'essence dans des récipients familiers tels que les contenants de lait ou de bouteilles de soda.
- c. Entrezposez l'essence dans un endroit frais, hors de la portée des enfants. Ne jamais entreposer d'essence près de la chaleur ou d'une flamme nue.
- d. Fournir un extincteur à proximité lorsque vous travaillez avec de l'essence. Assurez-vous extincteur est en bon état de fonctionnement - vérifier le manomètre ou l'indicateur. Se familiariser avec son utilisation. Consulter le service d'incendie local pour le bon type d'extincteur pour votre application. Extincteurs ABC notées par la National Fire Protection Association conviennent à la plupart des applications.
- e. Fournir positifs vannes d'arrêt sur toutes les livraisons de carburant permanents. Les conduites de carburant doivent être des tuyaux

en acier, assurés de manière adéquate, et sans fuite.

- f. Assurer une ventilation adéquate, nettoyer tout déversement lors de la manipulation ou le pompage de liquides inflammables.
- g. POSITIVELY NON-FUMEUR!
5. Ne pas utiliser de torches ou d'appliquer le feu ou une flamme à cette pompe pour une raison quelconque.
6. Fixez le tuyau de refoulement avant de démarrer la pompe. Une canalisation de refoulement non glisser, causer des blessures corporelles et / ou des dommages matériels.
7. Ne serrez pas trop non métalliques raccords filetés. Un tour complet de la main est serré passé généralement suffisant pour éviter les fuites. Ruban de PTFE d'étanchéité @ doit être utilisé sur tous les raccords filetés, y compris le bec.
8. Vérifier les tuyaux pour état de faiblesse ou d'usure avant chaque utilisation, s'assurer que toutes les connexions sont sécurisées.
9. Périodiquement, inspecter la pompe et les composants du système. Effectuer l'entretien de routine comme l'exige
10. Égoutter tous les liquides du système avant l'entretien.

⚠ AVERTISSEMENT Toute pompe doit être utilisé pour transférer des liquides inflammables doivent être stockés dans une des zones bien ventilées utiliser

Securite Personnelle

1. Portez des lunettes de sécurité en travaillant à tout moment avec pompe.
2. Portez l'écran facial, l'habillement approprié et l'équipement

Dayton® Pompe À Rotation Manuelle

respiratoire approprié, pendant le pompage des produits chimiques dangereux.

3. Gardez le secteur de travail propre, non encombré et correctement éclairé, remplacez tous les outils et les équipements inutilisés.
4. Gardez des visiteurs à une distance sûre du secteur de travail.
5. Faites l'atelier à l'épreuve des enfants, avec des cadenas, des interrupteurs principaux et en enlevant des clés de démarreur.

⚠ AVERTISSEMENT Le défaut de suivre toutes les informations générales de sécurité peut entraîner un dommage décès, une blessure personnelle et / ou des biens!

⚠ AVERTISSEMENT Ne pas utiliser la pompe avec des liquides à base d'eau, les liquides corrosifs, solvants, acides, à l'essence, etc

⚠ AVERTISSEMENT Le signe ci-dessus avertit l'utilisateur des dangers qui pourraient causer des blessures graves, la mort ou des dommages matériels importants s'il est ignoré.

Montage et installation (Voir la figure 1 -. Page 1)

1. Fixer le bec de décharge dans la sortie de la pompe. Utilisez au hr EAD étanchéité pour une connexion étanche. Connecter l'ensemble de tuyau à l'extrémité du bec de décharge à l'aide du collier de serrage.
2. Desserrer la vis de blocage sur la manivelle et connecter la manivelle du vilebrequin. Sécuriser la connexion en serrant la vis sans tête. Assurez-vous que la vis sans tête s'adapte sur la dépression chez les vilebrequins.
3. Assembler les parties de tube d'aspiration, en fonction du tambour avec laquelle la pompe doit être utilisée. Tous les 3 parties doivent être connectés pour une utilisation avec 55 gallons / fûts de 205 litres. Il est recommandé d'utiliser un produit d'étanchéité tels que PTFE à relier les parties de tube d'aspiration pour une connexion totalement étanche.
4. Faites glisser l'écrou 2 "bouchon sur le tube d'aspiration de l'extrémité supérieure.
5. Serrer le tube d'aspiration sur l'entrée de la pompe. Il est recommandé d'utiliser un matériau d'étanchéité tel que du PTFE en reliant le tube d'aspiration à l'entrée de la pompe.
6. Insérer l'ensemble de pompe dans le tambour à partir de la 2 "ouverture de bonde sur le tambour.
7. Une fois le fond du tuyau d'aspiration en contact avec la base du tambour, y fixer le bouchon sur le tambour. Maintenant, serrer le bouchon sur le tube d'aspiration.
8. Lorsque vous utilisez la pompe pour la première fois ou après une longue période de temps ou d'utilisation de la pompe à lever les carburants / médias à faible viscosité, assurez-vous de prime avant toute utilisation. Pour amorcer la pompe, verser 1 oz de supports étant pompés dans la sortie de la pompe. Tournez la poignée de la pompe jusqu'à ce que la pompe commence à distribuer. En utilisation quotidienne, il peut prendre environ 10 rotations de la manivelle de la pompe à commencer la distribution.
9. Lorsqu'il n'est pas utilisé, vous pouvez choisir de verrouiller la pompe à l'aide d'un cadenas. Pédalier a un lien dans laquelle il s'adapte sur le pêne de serrure sur le corps de pompe. Vous pouvez également utiliser le support de buse, situé juste au-dessus de la connexion du vilebrequin et bielle, pour stocker le tuyau lorsqu'il n'est pas utilisé.

⚠ WARNING Utilisez du ruban PTFE ou scellant approprié pour sécuriser les joints.

⚠ WARNING Carburants contenant de l'éthanol provoquent un remplacement plus fréquent de pièces en caoutchouc

⚠ WARNING Ne jamais faire fonctionner la pompe près du feu ou source d'étincelle. Certains médias peuvent être explosive et dangereuse à la pompe.

Dayton® Pompe À Rotation Manuelle

GARANTIE LIMITÉE

GARANTIE DAYTON LIMITÉE À 1 AN. LES POMPES À CONDENSATION/ CONDENSATION À HAUTE TEMPÉRATURE DAYTON, DON'T LES MODÈLES SONT DÉCRITS DANS CE MANUEL, SONT GARANTIES PAR DAYTON ELECTRIC MFG. CO. (DAYTON) AUPRÈS DE L'UTILISATEUR ORIGINEL POUR TOUT DÉFAUT DE RÉALISATION OU MATÉRIEL SURVENANT DANS LES CONDITIONS NORMALES D'UTILISATION DANS L'ANNÉE SUIVANT LA DATE D'ACHAT. TOUT ÉLÉMENT RECONNU DÉFECTUEUX TANT AU NIVEAU DU MATÉRIEL QUE DE LA CONCEPTION ET RENVOYÉ À UN SERVICE APRÈS-VENTE AGRÉÉ PAR DAYTON, LES COÛTS DE TRANSPORTS ÉTANT PREPAYÉS, SERA, ET NE SERA QUE, RÉPARÉ OU REMPLACÉ, SELON LE CHOIX DE DAYTON. POUR TOUT RENSEIGNEMENT CONCERNANT LES PROCÉDURES DE RÉCLAMATION LIÉES LA PRÉSENTE GARANTIE, SE REPORTER AUX « DISPOSITIONS PREMIÈRES » CI-DESSOUS. CETTE GARANTIE À DURÉE LIMITÉE DONNE À L'ACQUÉREUR DES DROITS JURIDIQUES SPÉCIFIQUES QUI PEUVENT VARIER SELON LES JURIDICTIONS.

LIMITATION DE RESPONSABILITÉ. DANS LES LIMITES D'APPLICATION DE LA JURIDICTION LOCALE, DAYTON DÉCLINE TOUTE RESPONSABILITÉ QUANT À D'ÉVENTUELS DOMMAGES. QUEL QUE SOIT LES CIRCONSTANCES, LA RESPONSABILITÉ DE DAYTON EST LIMITÉE À, ET N'EXCÈDERA PAS, LE PRIX D'ACHAT PAYÉ. DÉNI DE GARANTIE. UN EFFORT DILIGENT A ÉTÉ FAIT DANS CETTE NOTICE POUR FOURNIR DES INFORMATIONS ET ILLUSTRATIONS PRÉCISES SUR LES PRODUITS; CEPENDANT, DE TELLES INFORMATIONS ET ILLUSTRATIONS N'ONT QU'UN BUT D'IDENTIFICATION ET N'EXPRIMENT NI N'IMPLIQUENT UNE GARANTIE QUE LES PRODUITS SONT COMMERCIALISABLES, CONVENABLES POUR UN BUT PARTICULIER, OU QUE LES PRODUITS SE CONFORMERONT NÉCESSAIREMENT AUX ILLUSTRATIONS OU AUX DESCRIPTIONS. EXCEPTION FAITE DE CE QUI SUIV, AUCUNE GARANTIE OU AFFIRMATION DE FAIT, EXPRIMÉ OU IMPLIQUÉ, AUTRE QUE CELLES EXPOSÉES DANS "LA GARANTIE LIMITÉE" CI-DESSUS NE SONT FAITES NI AUTORISÉES PAR DAYTON.

Conseil Technique et Recommandations, Déni. Malgré n'importe quelle pratique antérieure ou transactions ou coutume commerciale, les ventes n'incluront pas de conseil technique ou la conception de système ou l'aide. Dayton réfute toute obligation ou responsabilité liée à n'importe quelles recommandations non autorisées, avis ou conseil quant au choix, l'installation ou l'utilisation des produits.

Autorisation du Produit. De nombreuses juridictions ont des codes et règlements régissant les ventes, la construction, l'installation, et/ou l'utilisation de produits pour certains buts, qui peuvent varier de ceux des régions voisines. Bien que tout soit fait pour assurer que les produits Dayton observent de tels codes, Dayton ne peut garantir l'entière conformité ni être tenue responsable de la façon dont le produit est installé ou utilisé. Avant l'achat et l'utilisation d'un produit, passez donc en revue les conditions d'utilisation du produit ainsi que tous les codes et règlements nationaux et locaux en vigueur et assurez-vous que le produit, l'installation et l'utilisation les respecteront.

Certains aspects des dénis de responsabilité ne sont pas applicables aux produits grand public; par exemple, (a) quelques juridictions ne permettent pas l'exclusion ou la limitation des dommages et intérêts fortuits ou consécutifs à l'usage, donc la susdite limitation ou l'exclusion peuvent ne pas s'appliquer à vous; (b) par ailleurs, quelques juridictions ne permettent pas de limitation sur la durée d'une garantie implicite, par conséquent la susdite limitation peut ne pas s'appliquer à vous; enfin (c) conformément à la loi, pendant la période de cette Garantie Limitée, n'importe quelles garanties implicite de valeur commerciale implicite ou l'adéquation à un usage particulier applicable aux produits grand public achetés par des consommateurs, peuvent ne pas être exclues ou autrement déniées.

Disposition Première. Un effort appréciable de confiance sera fait en ce qui concerne la réparation rapide ou tout autre ajustement relatif à n'importe quel produit qui s'avèrerait être défectueux dans le cadre de la garantie limitée. Pour tout produit à priori défectueux dans le cadre de la garantie limitée, écrivez tout d'abord ou appelez le négociant chez qui le produit a été acheté. Celui-ci donnera des directives supplémentaires. Si cela ne suffisait pas à résoudre le problème de façon satisfaisante, écrivez à Dayton à l'adresse ci-dessous, en donnant le nom et l'adresse du négociant, la date et le numéro de la facture du négociant, en décrivant la nature du défaut. Le titre et le risque de la perte passent de l'acheteur à la livraison au transporteur. Si le produit a été endommagé durant le transit, déposez une requête auprès du transporteur.

Pour des pièces détachées, appelez 1-800-Graniger

24 sur 24 365 jours par an

S'il vous plaît fournir les informations suivantes:

Numéro du modèle -

Description de la pièce et son numéro sur la liste des pièces -

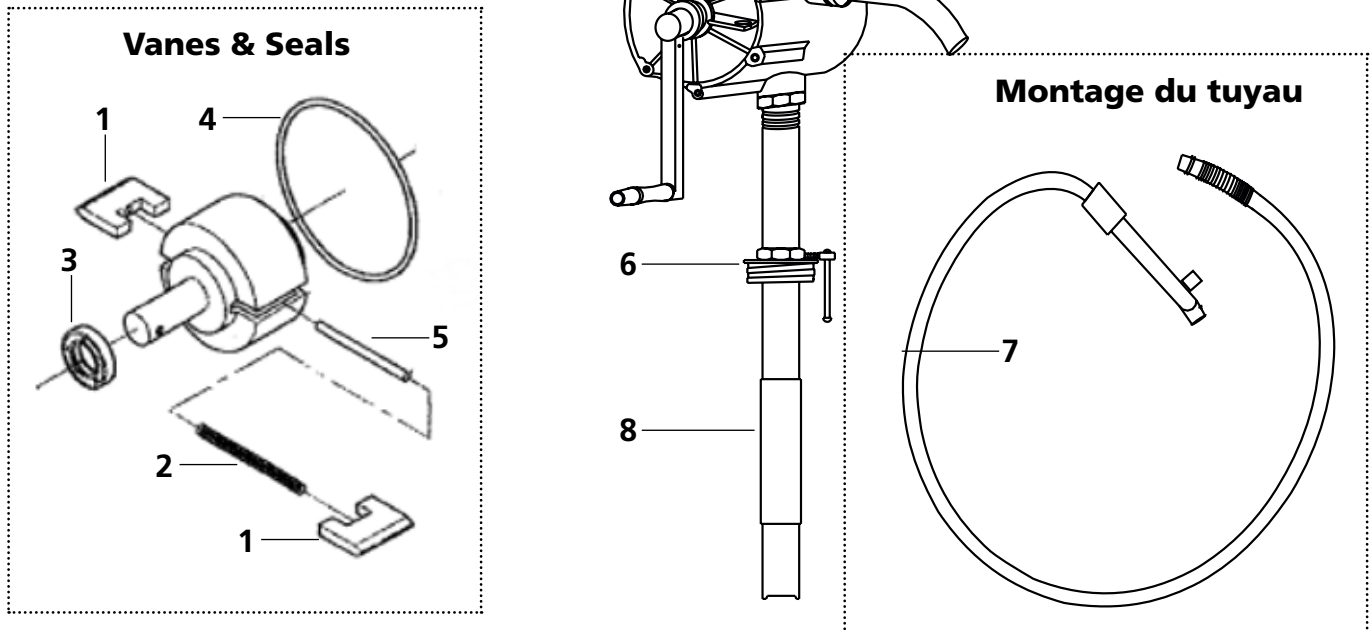


Figure 2 - Illustration des pièces de réparation pour Dayton de pompe Barrel Rotary ®

PIÈCES DE RECHANGE pour la pompe à canon rotatif Dayton ®

Référence Nombre	Description	Référence	Quantité
	Seal Kit	PPKIT01RB1VG	1
1	Vane	*	2
2	Vane Spring	*	1
3	Oil Seal (Viton)	*	1
4	O Ring (Viton)	*	1
5	Vane Pin	*	1
6	Bung Nut	PPGNBDN01SLVG	1
7	Hose Assembly	PPSAHOSBPA2G	1
8	Suction Tube	PPGNB3R01G	1

(*) Disponible uniquement en kit

Tableau de dépannage

Symptôme	Cause possible (s)	Mesure corrective
La pompe ne dispense pas / distribue moins fluide	1. La pompe n'est pas en mesure de créer une aspiration adéquate	1. Amorcer la pompe. Verser environ 1 once du fluide pompé, dans le sortie et actionner la poignée de la pompe jusqu'à fluide commence distribution
	2. La pompe aspire de l'air, au lieu de fluide	2. Serrer le tube d'aspiration et pompe d'entrée connecteur tion avec du ruban PTFE ou un thread approprié produit d'étanchéité.
La fuite de médias à partir du vilebrequin ou entre la plaque de recouvrement et le corps de pompe	Endommagé joint due à utiliser avec les médias qui ne conviennent pas pour une utilisation avec pompesuitable for use with pump	Joint doit être remplacé

Fabriqué pour Dayton Electric Mfg. Co.,
100 Grainger Parkway, Lake Forest, Illinois 60045-5201 U.S.A.

