

Please read and save these instructions. Read carefully before attempting to assemble, install, operate or maintain the product described. Protect yourself and others by observing all safety information. Failure to comply with instructions could result in personal injury and/or property damage! Retain instructions for future reference.

# Dayton® Drum Cradles

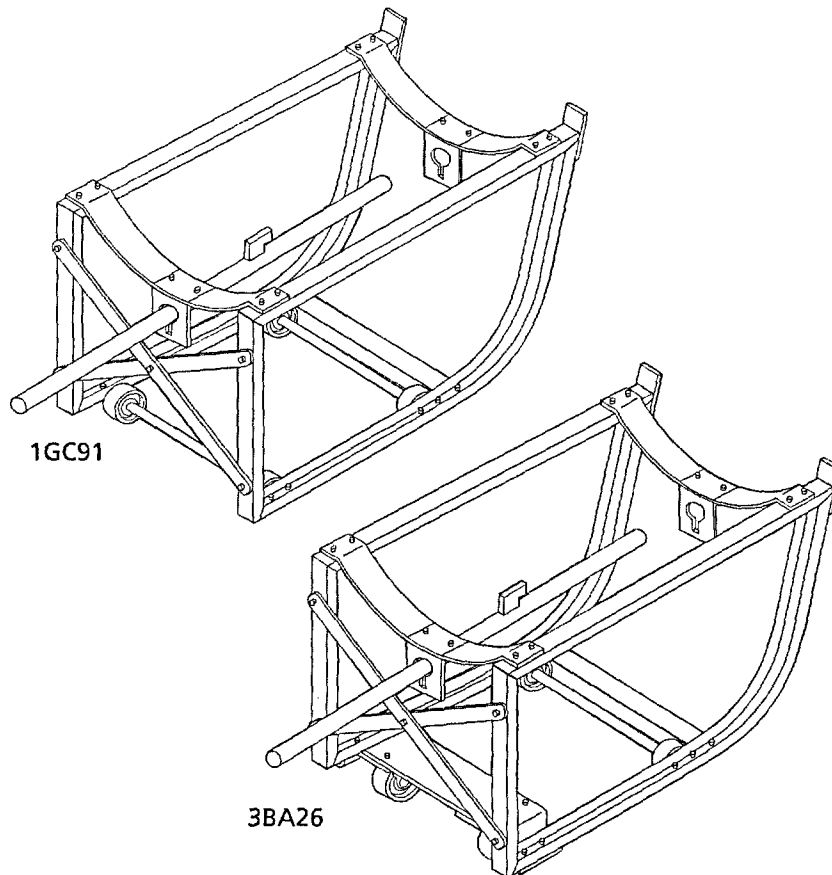
## Description

Dayton drum cradles are designed for the economical storage, and easy handling and draining of 55 gallon drums in the horizontal position. With these cradles the drums can be tilted from the upright position and then conveniently positioned for drainage into smaller containers.

## Specifications

### Maximum Capacity

600 Lbs. including drum



## Unpacking

When unpacking check contents for any damage that may have occurred during transit. Also check for any missing parts against parts list.

## General Safety Information

**⚠ WARNING** Drum cradle is designed for specific uses. For safe and proper use please follow instructions carefully.

1. Drum cradles handle 55 gallon steel drums. See "Operation" section for proper operation of cradles.
2. Make sure spigot is in proper position before tilting. Do not roll drum once the cradle and drum are horizontal.
3. Only tilt drums that are standing upright on floor. **Do NOT tilt drums from pallets or dollies.**
4. Wheels on cradle help facilitate the movement of cradle into storage location. When moving a loaded unit, move it **slowly**. Do **NOT** move cradle long distances.
5. **Do NOT roll loaded units down inclines.**

## Assembly

**NOTE:** During assembly allow parts to fit loosely.

**1GC91AND 3BA26**  
(See Figure 1, page 3)

1. Bolt handle brackets (Ref. No. 7) to drum slings (Ref. No. 2).
2. Bolt both drum slings (Ref. No. 2) to top of side frames (Ref. No. 3).

# Dayton® Drum Cradles

E  
N  
G  
L  
I  
S  
H

## Assembly (Continued)

3. Bolt the two cross braces together (Ref. No. 5, with slot holes on ends). Then bolt to the front of each side frame as shown in Figure 2.
4. Bolt bottom cross bar (Ref. No. 4, shortest of the three) to the bottom of the side frames as shown.

### 1GC91 ONLY

(See Figure 2)

1. Place wheels (Ref. No. 8) on axles (Ref. No. 1). Turn cradle upside down, put axle clamps (Ref. No. 13) over axles, and bolt to side frames with hardware included (Ref. No. 11).
2. Turn the cradle over so that the wheels are on the floor. Position the unit so that the frame is as square as possible and tighten all fastening hardware. The drum hook handle (Ref. No. 10) is stored in handle brackets under Drum slings (See Figure 4).

### 3BA26 ONLY

(See Figure 3)

1. Place wheels (Ref. No. 8) on axles (Ref. No. 1). Turn cradle upside down, put axle clamps (Ref. No. 13) over axles, and bolt to side frames with hardware included (Ref. No. 12).
2. Mount casters (Ref. No. 9) to caster bracket (Ref. No. 6) with 5/16" nuts and bolts included. Then bolt assembly to frame as shown.
3. Turn the cradle over so that the wheels are on the floor. Position the unit so that the frame is as square as possible and tighten all fastening hardware. The drum hook handle (Ref. No. 10) is stored in handle brackets under cross bars (See Figure 4).

## Operation

1. Approach drum which is standing upright on floor. **Do NOT tilt drum from pallets or dollies onto cradle.**
2. Position cradle vertically next to drum.
3. Place barrel toes at base of drum, and push slightly under drum.

4. Continue to push cradle against drum until sling assembly touches drum. Then place chime hook over drum. To insure proper drainage make sure drain on drum is centered between cradle sides and is facing cradle.
5. Grab extended handles with both hands. Place one foot on lower axle for leverage. Then pull straight back making sure chime hook has a secure hold on drum. Continue pulling until unit and drum are in the horizontal position.
6. After unit is placed in the desired location, slide handle in for storage.
7. Loaded cradles can be moved, though long distances are not recommended. Only roll loaded cradles on level surfaces. **Do NOT roll down an incline.**

## Maintenance

1. Check bolts and nuts often for tightness.
2. Check handle occasionally for any signs of damage or cracking.
3. If damaged, remove from service immediately and repair.

# For Repair Parts, call 1-800-323-0620

24 hours a day - 365 days a year

Please provide following information:

- Model number
- Serial number (if any)
- Part description and number as shown in parts list

Address parts correspondence to:  
Grainger Parts  
P.O. Box 3074  
1657 Shermer Road  
Northbrook, IL 60065-3074 U.S.A.

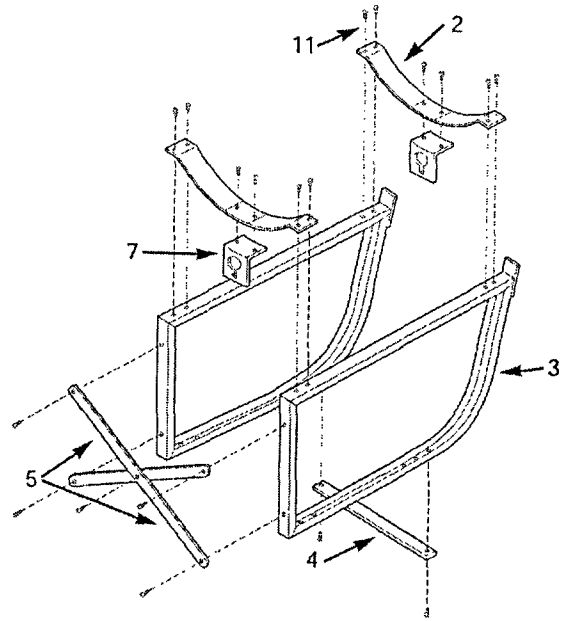


Figure 1 - Repair Parts Illustration for 1GC91 and 3BA26

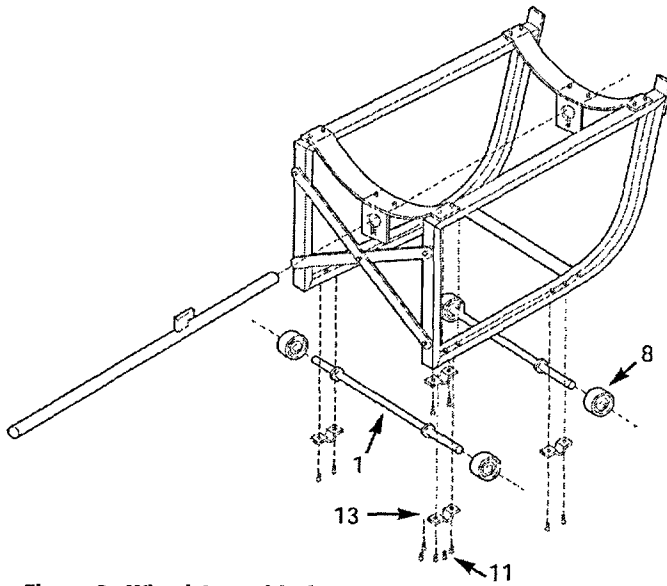


Figure 2 - Wheel Assembly for 1GC91

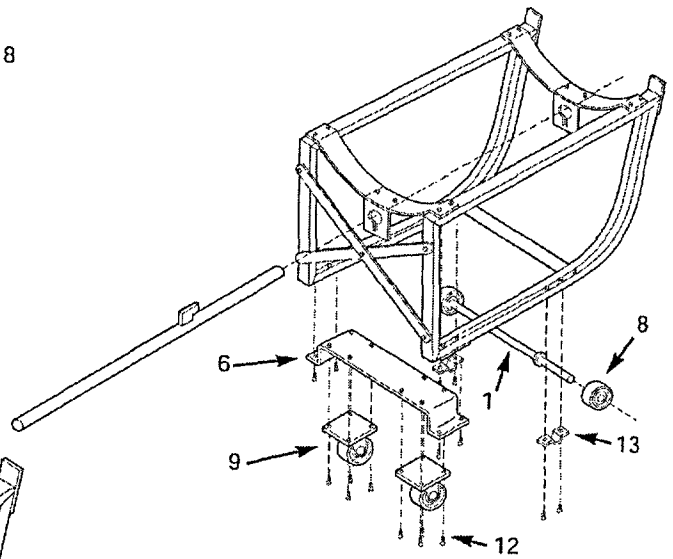


Figure 3 - Wheel Assembly for 3BA26

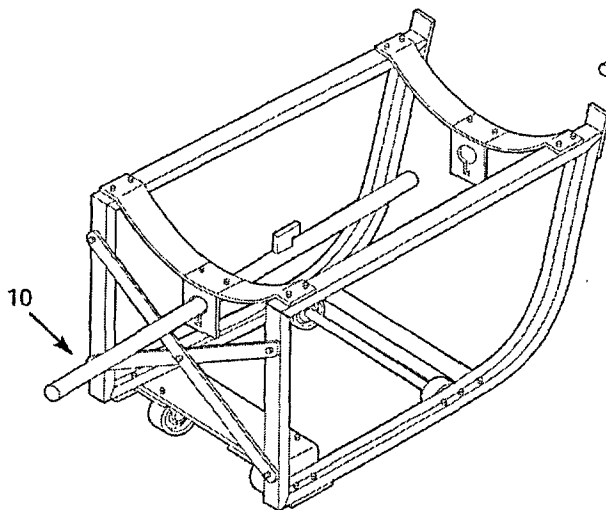


Figure 4 - Handle storage for 1GC91 and 3BA26

ENGLISH

# Dayton® Drum Cradles

E  
N  
G  
L  
I  
S  
H

## Repair Parts List for Drum Cradles

Reference Number	Description	Part Number	Quantity	
			1GC91	3BA26
1	Axle 18-1/2"	AX001	2	1
2	Drum Sling	DS001	2	2
3	Side Frame	SF001	2	2
4	Bottom Cross Bar	BCB001	1	1
5	Cross Brace	CB001A	2	2
6	Swivel Caster Bracket	SCBK001	0	1
7	Handle Bracket	HB001	2	2
8	3" Polyolefin Wheel	PW3	4	2
9	3" Swivel Caster	SC3	0	2
10	Handle & Hook	HH001	1	1
11	Bagged Hardware	BH001	1	0
12	Bagged Hardware	BH002	0	1
13	Axle Clamps	AXC001	4	2

### LIMITED WARRANTY

**DAYTON ONE-YEAR LIMITED WARRANTY.** Dayton® Drum Cradles, Models covered in this manual, are warranted by Dayton Electric Mfg. Co. (Dayton) to the original user against defects in workmanship or materials under normal use for one year after date of purchase. Any part which is determined to be defective in material or workmanship and returned to an authorized service location, as Dayton designates, shipping costs prepaid, will be, as the exclusive remedy, repaired or replaced at Dayton's option. For limited warranty claim procedures, see PROMPT DISPOSITION below. This limited warranty gives purchasers specific legal rights which vary from jurisdiction to jurisdiction.

**LIMITATION OF LIABILITY.** To the extent allowable under applicable law, Dayton's liability for consequential and incidental damages is expressly disclaimed. Dayton's liability in all events is limited to and shall not exceed the purchase price paid.

**WARRANTY DISCLAIMER.** Dayton has made a diligent effort to provide product information and illustrate the products in this literature accurately; however, such information and illustrations are for the sole purpose of identification, and do not express or imply a warranty that the products are MERCHANTABLE, or FIT FOR A PARTICULAR PURPOSE, or that the products will necessarily conform to the illustrations or descriptions. Except as provided below, no warranty or affirmation of fact, expressed or implied, other than as stated in the "LIMITED WARRANTY" above is made or authorized by Dayton.

**PRODUCT SUITABILITY.** Many jurisdictions have codes and regulations governing sales, construction, installation, and/or use of products for certain purposes, which may vary from those in neighboring areas. While Dayton attempts to assure that its products comply with such codes, it cannot guarantee compliance, and cannot be responsible for how the product is installed or used. Before purchase and use of a product, review the product applications, and all applicable national and local codes and regulations, and be sure that the product, installation, and use will comply with them.

Certain aspects of disclaimers are not applicable to consumer products; e.g., (a) some jurisdictions do not allow the exclusion or limitation of incidental or consequential damages, so the above limitation or exclusion may not apply to you; (b) also, some jurisdictions do not allow a limitation on how long an implied warranty lasts, consequently the above limitation may not apply to you; and (c) by law, during the period of this Limited Warranty, any implied warranties of implied merchantability or fitness for a particular purpose applicable to consumer products purchased by consumers, may not be excluded or otherwise disclaimed.

**PROMPT DISPOSITION.** Dayton will make a good faith effort for prompt correction or other adjustment with respect to any product which proves to be defective within limited warranty. For any product believed to be defective within limited warranty, first write or call dealer from whom the product was purchased. Dealer will give additional directions. If unable to resolve satisfactorily, write to Dayton at address below, giving dealer's name, address, date, and number of dealer's invoice, and describing the nature of the defect. Title and risk of loss pass to buyer on delivery to common carrier. If product was damaged in transit to you, file claim with carrier.

Manufactured for Dayton Electric Mfg. Co., 5959 W. Howard St., Niles, Illinois 60714 U.S.A.

Manufactured for Dayton Electric Mfg. Co.  
Niles, Illinois 60714 U.S.A.

**Dayton®**