

Dayton Sewage Pumps



PUMPS technical data sheet

Submersible Sewage pumps are designed to remove sewage wastewater from a residential home or commercial office. These pumps are designed to pass the typical suspended solids associated with sewage wastewater. Sewage pumps typically operate intermittently and automatically with a float switch and can accommodate solids up to 2" in diameter.

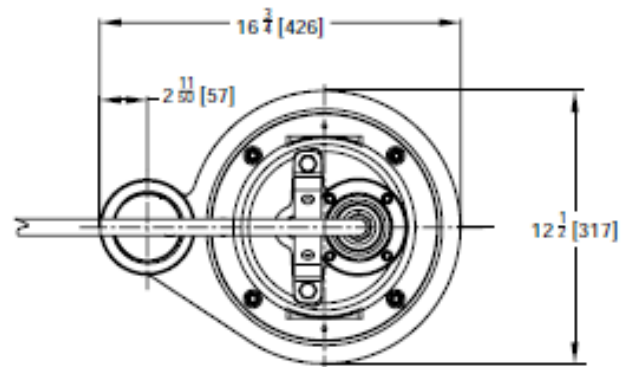
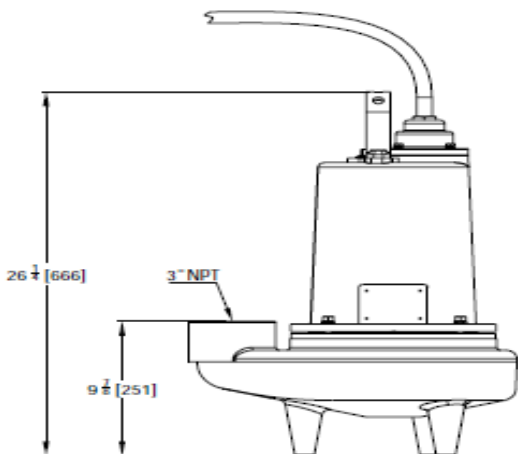


5RZP1
5 HP, Cast Iron
Submersible Sewage Pump

HP	5
Voltage	230/460V
Phase	3
Frequency	60 Hz
Run Amps	23.6/11.8A
Start Amps	69/35.4A
RPM	1750
Motor Type	3-phase Oil Filled

Overload Protection	None - Requires Control Panel
Motor Shaft Material	Stainless Steel
Motor Housing Material	Cast Iron
Motor Duty	Continuous
Motor End Bearing	Single Row Ball
Pump End Bearing	Single Row Ball
Lubrication	Oil Lubricated
Discharge	3 Inch FNPT, Vertical
Volute Material	Cast Iron
Base Material	Cast Iron
Impeller Type	Open Vortex
Impeller Material	Cast Iron
Housing Material	Stainless Steel
O-rings	Buna-N
Seal Type	Single Mechanical
Seal Materials	Silicon Carbide/Silicon Carbide/Buna N
Operation	Manual Operation
Power Cord	12/4 SOOW, 20' (6.1m), Stripped Leads
Max. Solids Handling	3" (76mm) spherical
Max. Water Temperature	104°F (40°C)
Designed Fluid Environment	Water / Sewage Wastewater

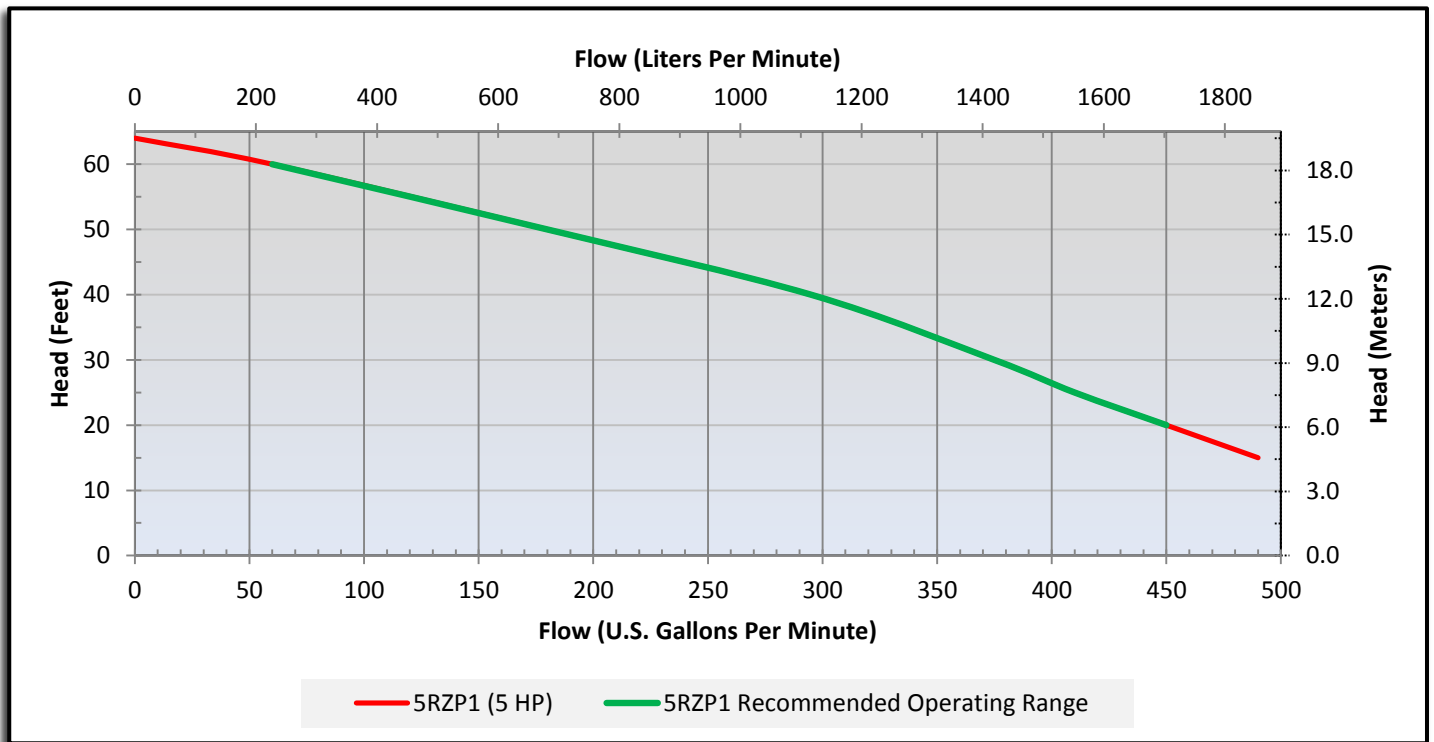
Outline Dimensions



Performance Data

Head	Feet	15	20	25	30	40	50	60	64
	Meters	4.6	6.1	7.6	9.1	12.2	15.2	18.3	19.5
Flow Rate	GPM	490	450	410	375	295	180	60	0
	LPM	1855	1703	1552	1420	1117	681	227	0

Performance Chart



WARNING: Use only with nonflammable liquids compatible with pump component materials and in nonflammable/nonexplosive atmospheres.

Call or visit your local branch or go to grainger.com/dayton for complete product line information

Find it at Grainger.

© 2013 W.W. Grainger, Inc.

