

Dayton Sump Pumps



PUMPS technical data sheet

Dayton Sump Pumps are designed to handle water that will not drain by gravity. These pumps can be located in foundation drains in homes or buildings, parking lots, rainfall pooling in low land areas, manholes, retention ponds and truck docks.

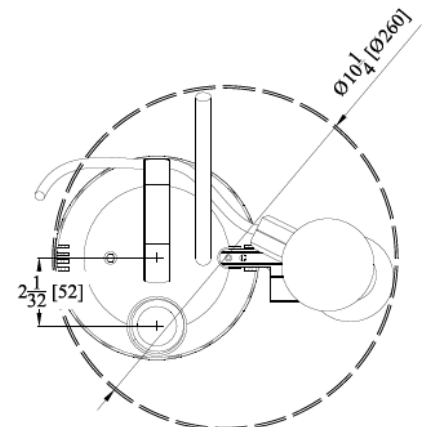
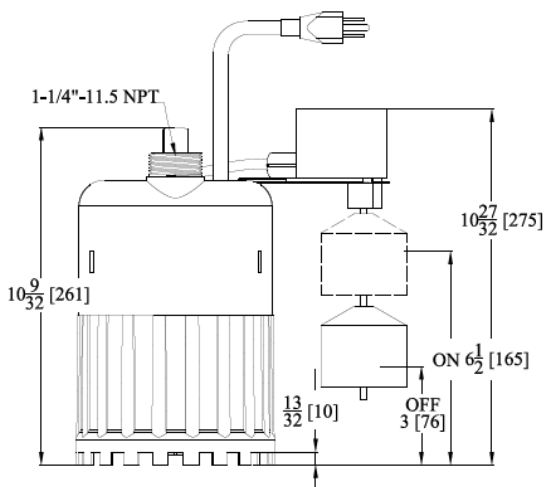


3YU71
½ HP, Thermoplastic
Submersible Sump Pump

Overload Protection	Internal Thermal Overload
Motor Shaft Material	Stainless Steel
Motor Housing Material	Polypropylene
Motor Duty	Intermittent
Motor End Bearing	Single Row Ball
Pump End Bearing	Single Row Ball
Lubrication	Permanently Lubricated
Discharge	1-1/4 Inch MNPT, Vertical
Volute Material	Polypropylene
Base Material	Polypropylene
Impeller Type	Open Vortex
Impeller Material	Polyamide
Hardware Material	Stainless Steel
O-rings	Buna-N
Seal Type	Single Mechanical
Seal Materials	Carbon/Ceramic/Buna-N
Operation	Automatic / Vertical Switch
Power Cord	18/3 SJTOW, 10' (3m), NEMA 5-15P 120V Plug
Max. Solids Handling	1/8" (3.2mm) spherical
Max. Water Temperature	140°F (60°C)
Designed Fluid Environment	Water / Wastewater
Switch Type	Vertical PVC Snap Action
Switch Cord	10' (3m) SJTOW Power Cord
Switch Plug	NEMA 5-15P Piggyback Plug
Switch Max. Run Amps	10A
Switch Max. Start Amps	60A
Switch Pumping Range	On at 6.5" (165mm) Off at 3" (76mm)

HP	1/2
Voltage	115V
Phase	Single
Frequency	60 Hz
Run Amps	3A
RPM	3450
Motor Type	PSC

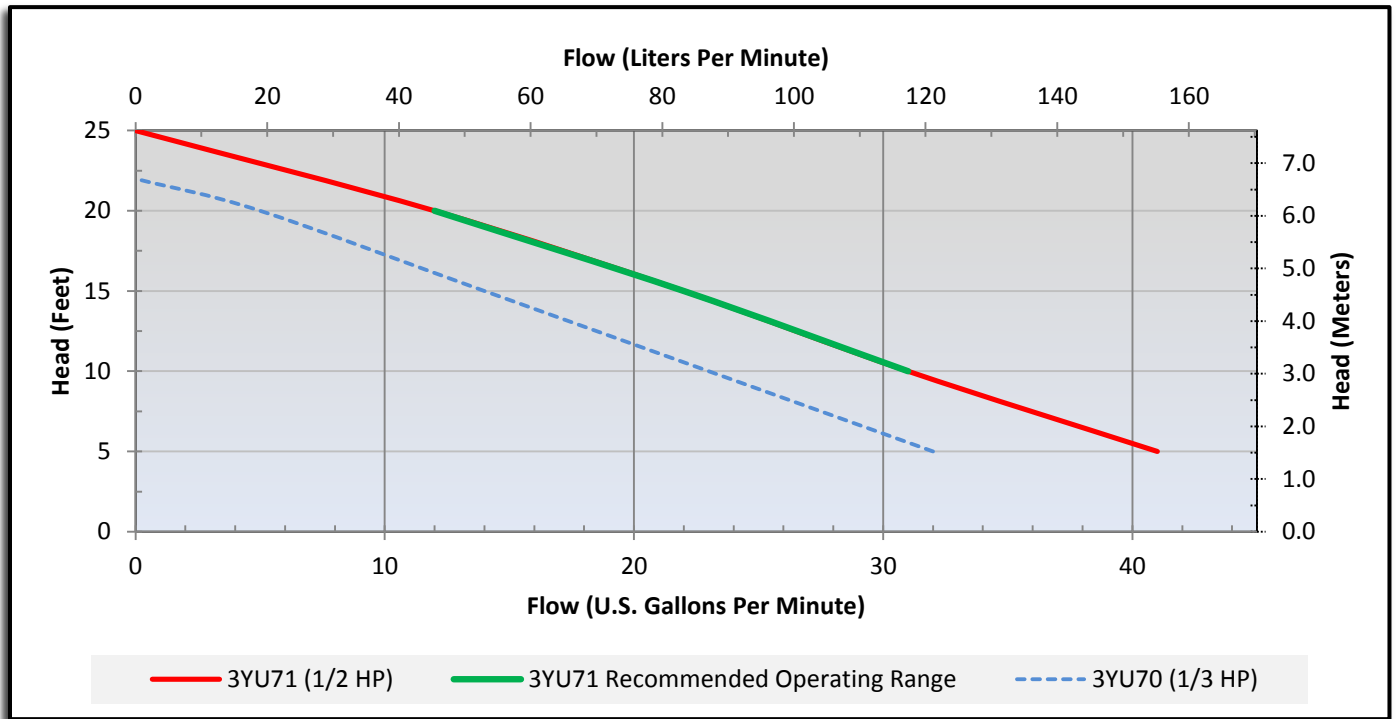
Outline Dimensions



Performance Data

Head	Feet	5	10	15	20	25
	Meters	1.5	3.1	4.6	6.1	7.6
Flow Rate	GPM	41	31	22	12	0
	LPM	155	117	83	45	0

Performance Chart



WARNING: Use only with nonflammable liquids compatible with pump component materials and in nonflammable/non-explosive atmospheres.

Call or visit your local branch or go to grainger.com/dayton for complete product line information



Find it at Grainger.

© 2013 W.W. Grainger, Inc.