

# Dayton Sewage Pumps



## PUMPS technical data sheet

Submersible Sewage pumps are designed to remove sewage wastewater from a residential home or commercial office. These pumps are designed to pass the typical suspended solids associated with sewage wastewater. Sewage pumps typically operate intermittently and automatically with a float switch and can accommodate solids up to 2" in diameter.

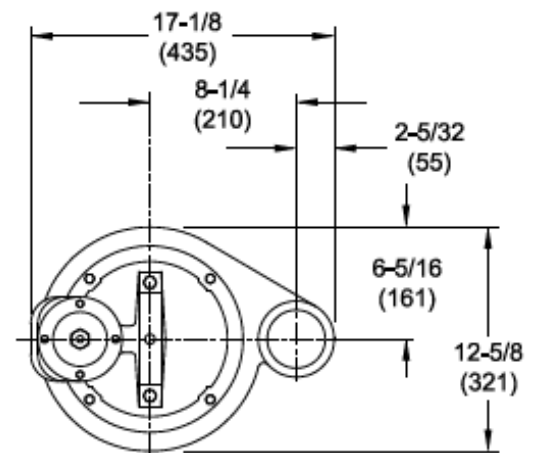
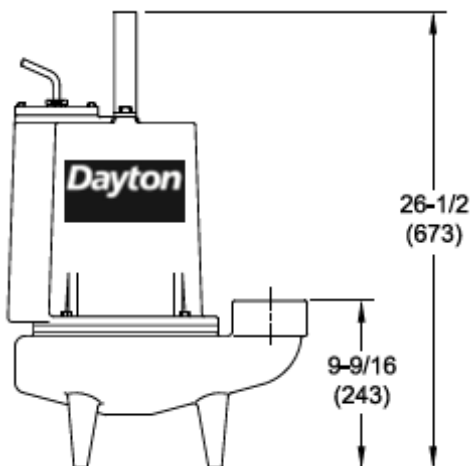


**3BB96**  
**3 HP, Cast Iron**  
**Submersible Sewage Pump**

<b>HP</b>	3
<b>Voltage</b>	230/460A
<b>Phase</b>	3
<b>Frequency</b>	60 Hz
<b>Run Amps</b>	12.9/6.1A
<b>Start Amps</b>	56.0/28.0A

<b>RPM</b>	1750
<b>Motor Type</b>	3-phase Oil-filled with Class B insulation
<b>Overload Protection</b>	None - Requires Control Panel
<b>Motor Shaft Material</b>	Stainless Steel
<b>Motor Housing Material</b>	Cast Iron
<b>Motor Duty</b>	Continuous
<b>Motor End Bearing</b>	Single Row Ball
<b>Pump End Bearing</b>	Single Row Ball
<b>Lubrication</b>	Oil Lubricated
<b>Discharge</b>	2 Inch FNPT, Vertical
<b>Volute Material</b>	Cast Iron
<b>Base Material</b>	Cast Iron
<b>Impeller Type</b>	Open Vortex
<b>Impeller Material</b>	Cast Iron
<b>Hardware Material</b>	Stainless Steel
<b>O-rings</b>	Buna-N
<b>Seal Type</b>	Single Mechanical
<b>Seal Materials</b>	Silicon Carbide/Silicon Carbide/Buna N
<b>Operation</b>	Manual Operation
<b>Power Cord</b>	10/4 SOOW, 20' (6.1m), Stripped Leads
<b>Max. Solids Handling</b>	2-1/2" (64mm) spherical
<b>Max. Water Temperature</b>	104°F (40°C)
<b>Designed Fluid Environment</b>	Water / Sewage Wastewater

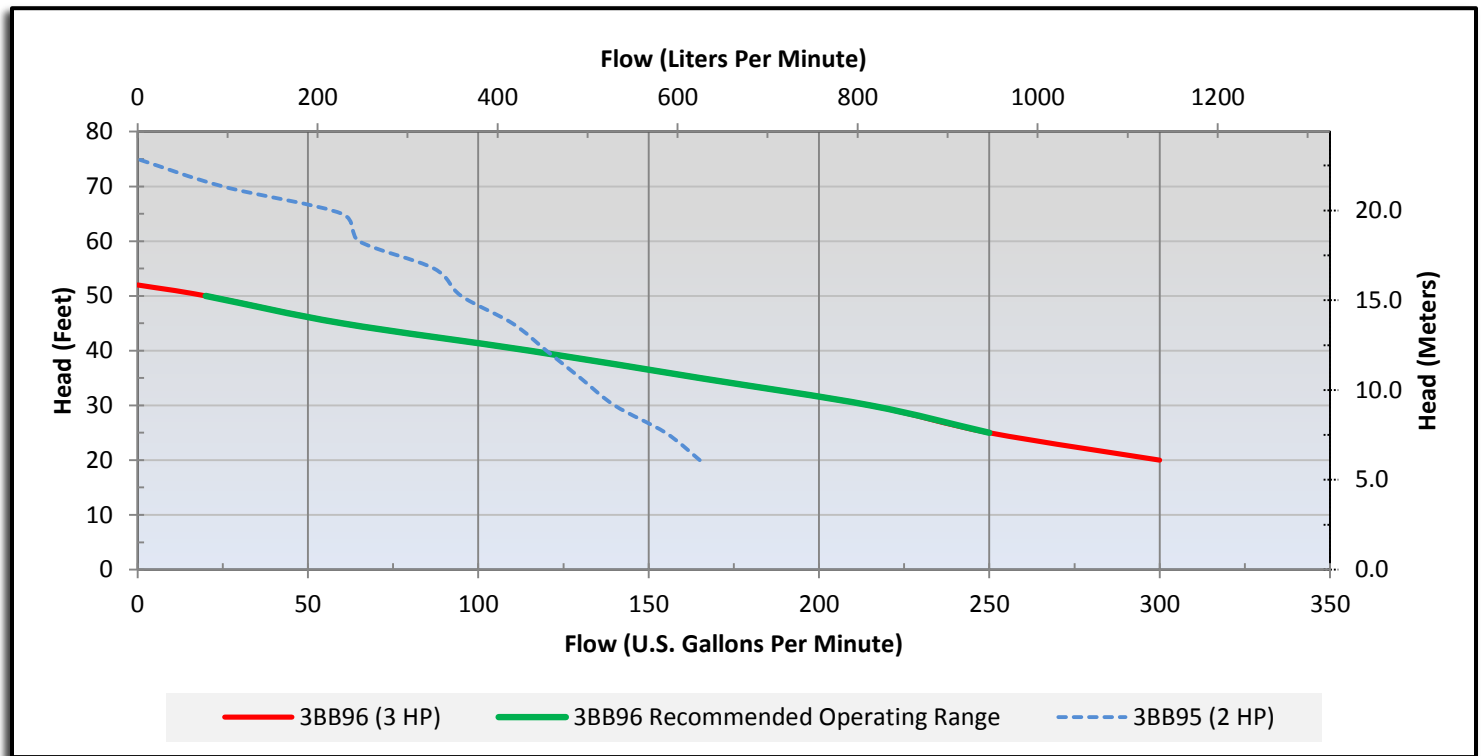
### Outline Dimensions



## Performance Data

Head	Feet	20	25	30	35	40	45	50	52
	Meters	6.1	7.6	9.1	10.7	12.2	13.7	15.2	15.8
Flow Rate	GPM	300	250	215	165	115	60	20	0
	LPM	1136	946	814	625	435	227	76	0

## Performance Chart



**WARNING:** Use only with nonflammable liquids compatible with pump component materials and in nonflammable/nonexplosive atmospheres.

Call or visit your local branch or go to [grainger.com/dayton](http://grainger.com/dayton) for complete product line information



Find it at Grainger.

© 2013 W.W. Grainger, Inc.