

Dayton Submersible Effluent Pumps



PUMPS technical data sheet

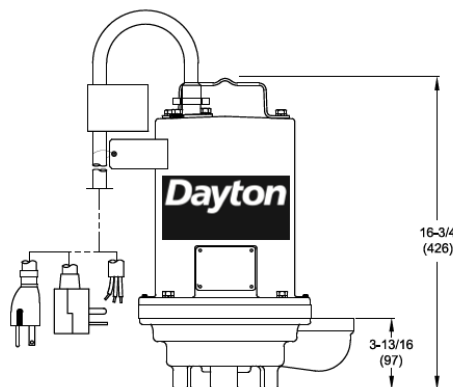
Submersible Effluent Pumps are designed for wastewater transfer or removal. These pumps remove pretreated liquid waste discharge from an onsite sewage treatment system such as a septic tank. Effluent pumps typically operate intermittently and automatically with a float switch and can accommodate solids up to 3/4" in diameter.



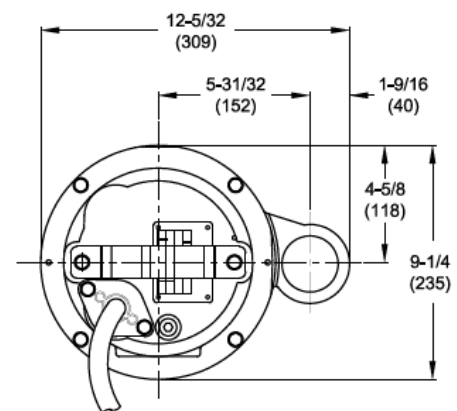
3BB86
1 HP, Cast Iron
Submersible Effluent Pump

HP	1
Voltage	240V
Phase	3
Frequency	60 Hz
Run Amps	5.6/2.8A
Start Amps	18.4A
RPM	3450
Motor Type	3-Phase Oil-filled with Class B insulation

Overload Protection	None - Requires Control Panel
Motor Shaft Material	Stainless Steel
Motor Housing Material	Cast Iron
Motor Duty	Intermittent
Motor End Bearing	Single Row Ball
Pump End Bearing	Single Row Ball
Lubrication	Oil Lubricated
Discharge	2 Inch FNPT, Vertical
Volute Material	Cast Iron
Base Material	Cast Iron
Impeller Type	Open Vortex
Impeller Material	Polypropylene
Hardware Material	Stainless Steel
O-rings	Buna-N
Seal Type	Single Mechanical
Seal Materials	Silicon Carbide/Silicon Carbide/Buna N
Operation	Manual Operation
Power Cord	14/4 SOOW, 20' (6.1m), Stripped Leads
Max. Solids Handling	3/4" (1.9cm) spherical
Max. Water Temperature	104°F (40°C)
Designed Fluid Environment	Water / Wastewater / Effluent



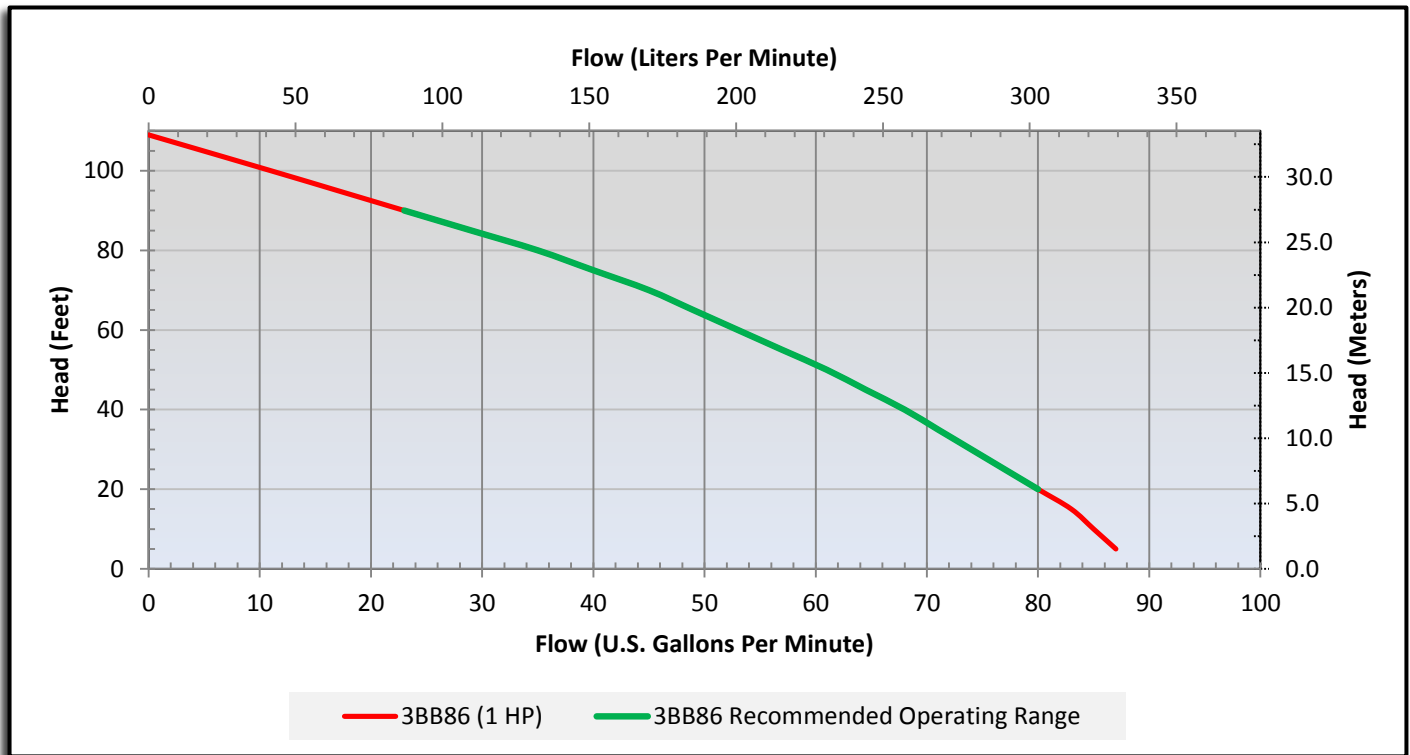
Outline Dimensions



Performance Data

Head	Feet	10	20	30	40	50	60	70	80	90	100	109
	Meters	3.0	6.1	9.1	12.2	15.2	18.3	21.3	24.4	27.4	30.5	33.2
Flow Rate	GPM	85	80	74	68	61	53	45	35	23	11	0
	LPM	322	303	280	257	231	201	170	132	87	42	0

Performance Chart



WARNING: Use only with nonflammable liquids compatible with pump component materials and in nonflammable/non-explosive atmospheres.

Call or visit your local branch or go to grainger.com/dayton for complete product line information

Find it at Grainger.

© 2013 W.W. Grainger, Inc.

