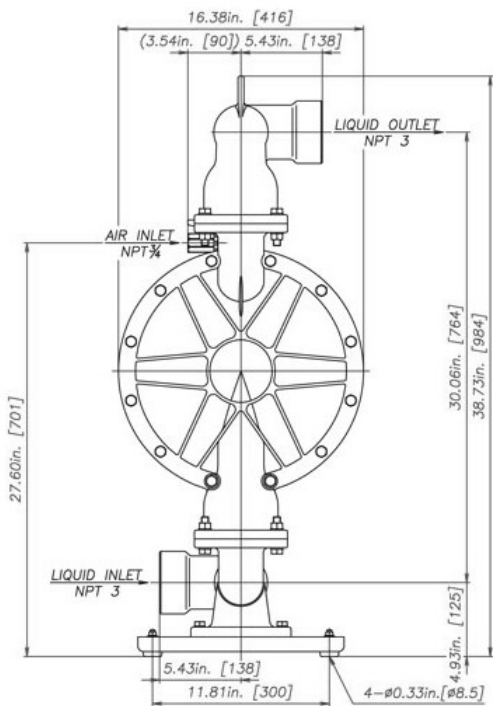
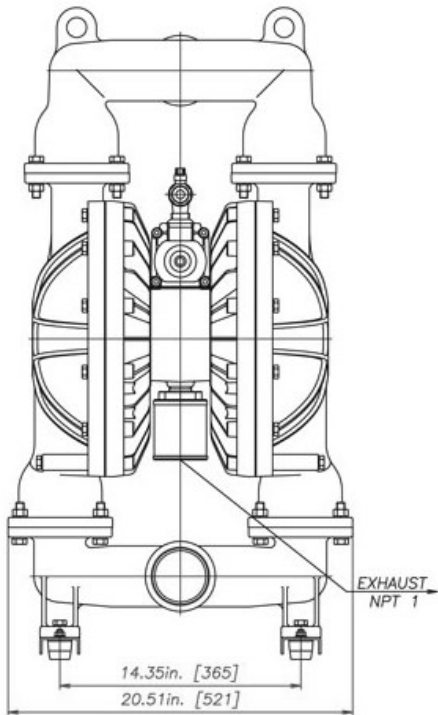
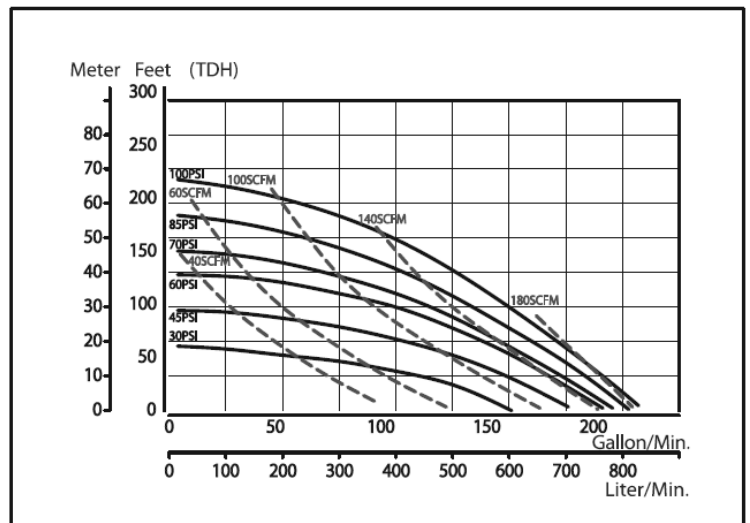


## DAYTON AIR-OPERATED DOUBLE DIAPHRAGM PUMP

22A601



SHIPPING WEIGHT	277.0 LBS
MAXIMUM LIQUID TEMPERATURE	212°F (100°C)
INTAKE & DISCHARGE PORTS	3" PORT, NPT
FLOW	0 - 215GPM MAX
MAX AIR SUPPLY PRESSURE	100 PSI (1.4 - 7 KGF/CM <sup>2</sup> )
BODY MATERIAL	CAST IRON
LIFT - DRY, WET	19 FT, 28 FT
<b>AIR VALVE</b>	
LUBRICATION	NO LUBRICATION REQUIRED
MANUAL OVERRIDE	YES
<b>LIQUID SIDE</b>	
EASY REPAIR	YES
BALL CHECK VALVE	SANTOPRENE®
O-RINGS	EPDM
DIAPHRAGMS	SANTOPRENE®



Find it at Grainger.

Call or visit your local branch or go to [grainger.com/Dayton](http://grainger.com/Dayton) for complete product line information.