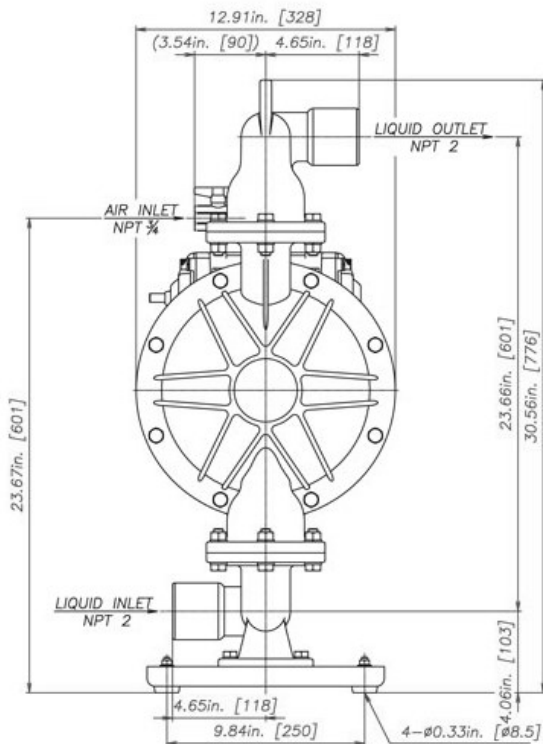
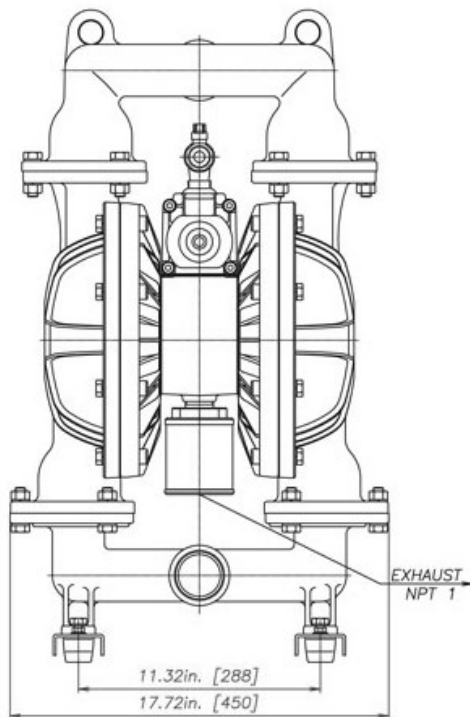
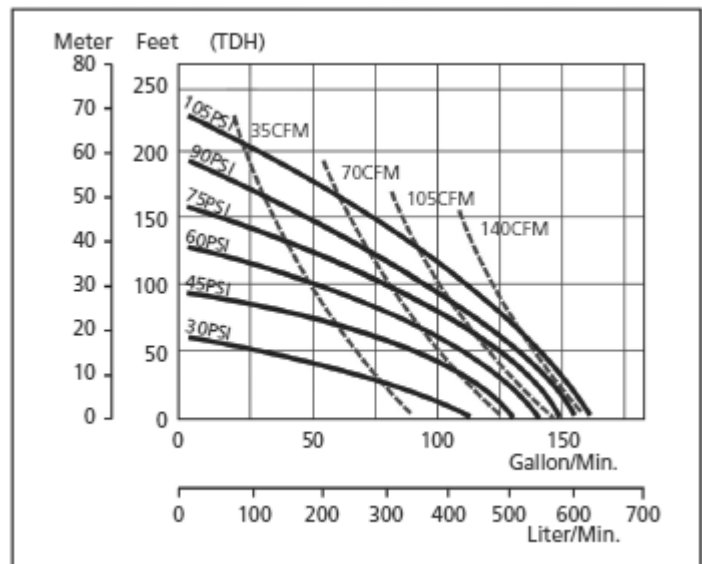


DAYTON AIR-OPERATED DOUBLE DIAPHRAGM PUMP

22A599



SHIPPING WEIGHT	159.0 LBS
MAXIMUM LIQUID TEMPERATURE	212°F (100°C)
INTAKE & DISCHARGE PORTS	2" PORT, NPT
FLOW	0 - 164GPM MAX
MAX AIR SUPPLY PRESSURE	100 PSI (1.4 - 7 KGF/CM ²)
BODY MATERIAL	CAST IRON
LIFT - DRY, WET	18 FT, 28 FT
AIR VALVE	
LUBRICATION	NO LUBRICATION REQUIRED
MANUAL OVERRIDE	YES
LIQUID SIDE	
EASY REPAIR	YES
BALL CHECK VALVE	SANTOPRENE®
O-RINGS	EPDM
DIAPHRAGMS	SANTOPRENE®



Find it at Grainger.

Call or visit your local branch or go to grainger.com/Dayton for complete product line information.