

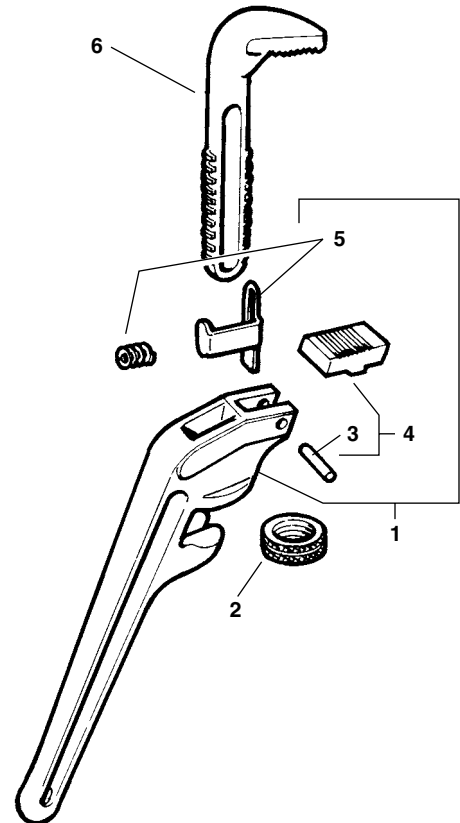
End Pipe Wrench

Capacity: 3/4" through 5"

NOTE: Order parts by Catalog Number only.
DO NOT order by Reference Number.

Aluminum Wrenches

Ref. No.	Model Pipe Capacity	E-910 1 1/2"	E-914 2"	E-918 2 1/2"	E-924 3"
1	Handle Assembly	93907	93912	93917	93922
2	Nut	31615	31665	31685	31710
3	Pin	95402	95407	31690	31690
4	Heel Jaw Assembly	31610	31635	31675	31700
5	Spring Assembly	31620	31660	31680	31705
6	Hook Jaw	31605	31655	31670	31695



Steel Wrenches

Ref. No.	Model Pipe Capacity	E-6 3/4"	E-8 1"	E-10 1 1/2"	E-12 2"	E-14 2"	E-18 2 1/2"	E-24 3"	E-36 5"
1	Handle Assembly	31470	31475	31480	31485	31490	31495	31500	31505
2	Nut	31570	31595	31615	31645	31665	31685	31710	31735
3	Pin	31575	31600	31625	31650	31650	31690	31715	31740
4	Heel Jaw Assembly	31560	31585	31610	31635	31635	31675	31700	31725
5	Spring Assembly	31565	31590	31620	31640	31660	31680	31705	31730
6	Hook Jaw	31555	31580	31605	31630	31655	31670	31695	31720