



Best made cutting tools in the world.®

GRAINGER ITEM #6ZTL2

ULTIMATE SAFETY Concealed blade design protects from blade exposure for quick and safe cutting

SK-10 Model #1096854 | Concealed Blade Safety Knife

No tool blade change

Quickly and easily change or reposition blade

Safety lock

Releases to open handle for blade change

Acetone resistant

Chemical and heat safe (up to 240° F) for sterilization

Carbon tool blade

Preloaded with an OLFA SKB-10 safety blade

Symmetrical shape

Ideal for both right- and left-handed users

Lanyard hole

Helps avoid loss

Thumb groove

Increases direction and precision

Tape slitter

Built-in stainless steel multi-tool provides additional functionality

Finger grooves

Increases grip and control for safer use

Concealed blade design

Provides continual exposure

Nylon 6 polyimide material

Provides great durability

Cutting channel

Holds material in place and enhances the cutting process

COMPATIBLE BLADE

SKB-10



18 mm

0.4 mm

Safely cut shrink wrap, plastic strapping, stretch wrap, plastic sheeting, bubble wrap and belting with concealed blade.

Cutting depth: .16"/4mm

COMPATIBLE BLADE

EXCEPTIONAL SHARPNESS & LONG-LASTING PERFORMANCE

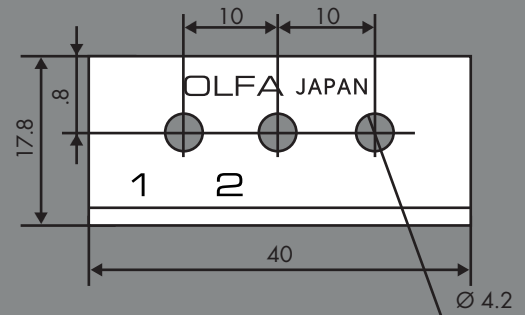
OLFA blades are engineered from Japanese carbon tool steel and skillfully crafted to offer unmatched sharpness for superior cutting power and edge retention.



SKB-10/10B - 10 Pack

Model #1096855 | Grainger item #6ZTL3

Four position blade provides twice as many blade positions than a standard trapezoid blade.



OLFA[®]
Best made cutting tools in the world.[®]