

Document Number	Revision	Revision Date	Product Date Code Beginning With
L4287	Rev. E	09/2022	C (RC251, 252 & 254) D (RC256, 258 & 2510)

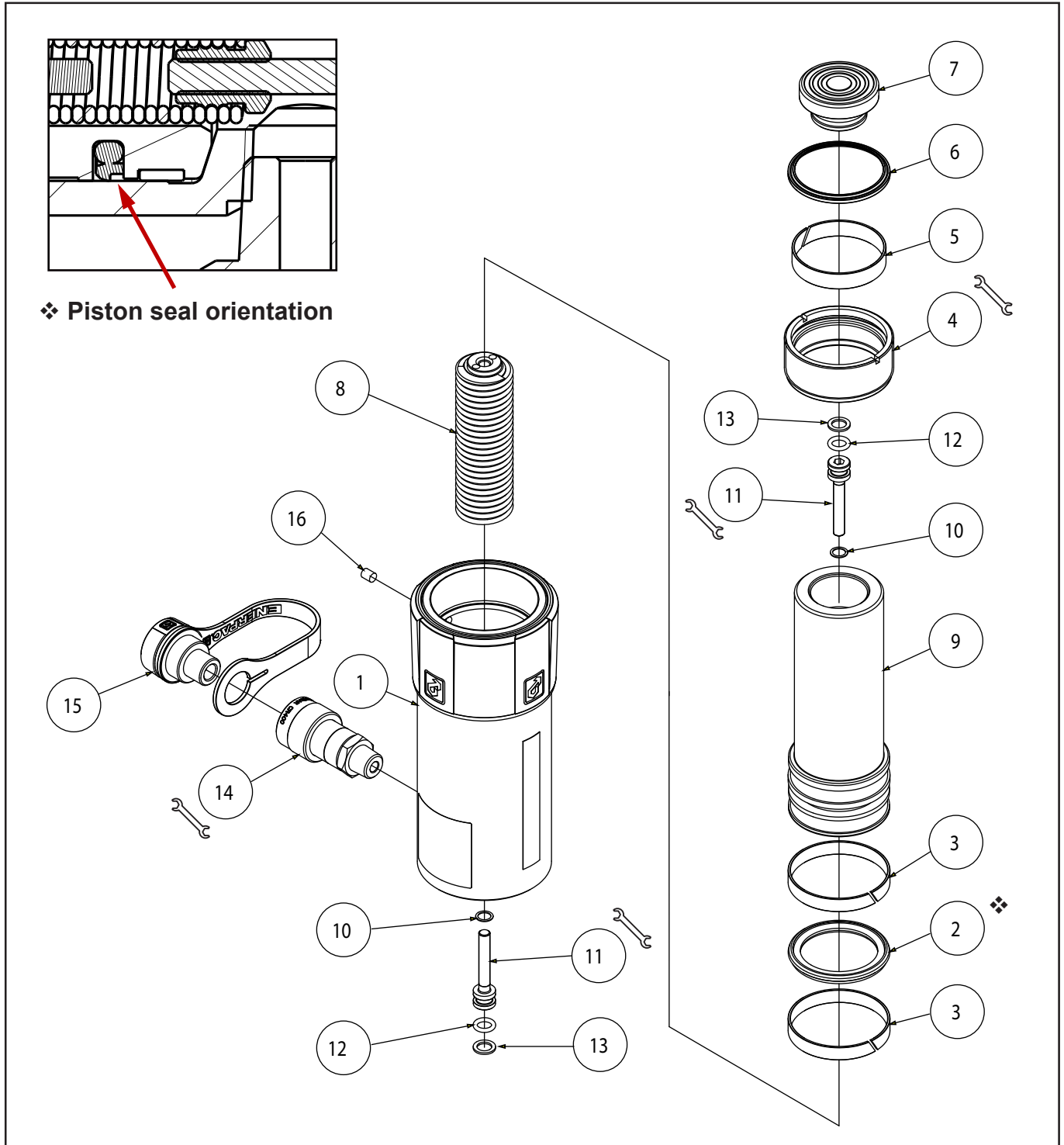


Figure 1, RC Hydraulic Cylinder, 25 Ton

Repair Parts List, Figure 1

Item	Description	Qty	RC251	RC252	RC254	RC256	RC258	RC2510
1	Base	1	N/A	N/A	N/A	N/A	N/A	N/A
2	Piston Seal	1	▲ ●	▲ ●	▲ ●	▲ ●	▲ ●	▲ ●
3	Wear Band, Plunger	2	▲ ★	▲ ★	▲ ★	▲ ★	▲ ★	▲ ★
4	Stop Ring	1	RC25044	RC25044	RC25044	RC25044	RC25044	RC25044
5	Wear Band, Stop Ring	1	▲ *	▲ *	▲ *	▲ *	▲ *	▲ *
6	Wiper	1	▲ ✖	▲ ✖	▲ ✖	▲ ✖	▲ ✖	▲ ✖
7	Saddle Assembly	1	A252G	A252G	A252G	A252G	A252G	A252G
8	Spring Assembly	1	RC25K31	RC25K32	RC25K33	RC25K34	RC25NKS1	RC25NKS2
9	Plunger	1	RC251040	RC252040	RC254040	RC256040	RC258040	RC2510040
10	Copper Gasket	2	▲ ■	▲ ■	▲ ■	▲ ■	▲ ■	▲ ■
11	Screw, Socket Head	2	▲ ■	▲ ■	▲ ■	▲ ■	▲ ■	▲ ■
12	O-Ring	2	▲ ■	▲ ■	▲ ■	▲ ■	▲ ■	▲ ■
13	Backup, Split	2	▲ ■	▲ ■	▲ ■	▲ ■	▲ ■	▲ ■
14	Coupler	1	CR400	CR400	CR400	CR400	CR400	CR400
15	Dust Cap ▲	1	CD411	CD411	CD411	CD411	CD411	CD411
16	Filter	1	▲	▲	▲	▲	▲	▲
N/S	O-ring, coupler	1	▲	▲	▲	▲	▲	▲
N/S	Enerpac Decal	1	▲	▲	▲	▲	▲	▲
N/S	Warning Decal	1	▲	▲	▲	▲	▲	▲
N/S	O-ring, saddle	1	▲	▲	▲	▲	▲	▲
N/S	Thread Protector	1	▲	▲	▲	▲	▲	▲

Notes:

- ▲ Indicated item included in and available as a part of the Repair Kit RC25NK0
- Indicated item included in and available as a part of the Spring Assembly
- Indicated item included in and available as packs of 10 units in Seal Kit RC25NKS (see below)
- ★ Indicated item included in and available as packs of 10 units in Wear Band Kit Plunger RC25NKB1 (see below)
- * Indicated item included in and available as packs of 10 units in Wear Band Kit Stop Ring RC25NKB2 (see below)
- ✖ Indicated item included in and available as packs of 10 units in Wiper Kit RC25NKW (see below)

●★*✖ Kits only available in America

⁽¹⁾Viton® seals are available in the RC25NK0V seal kit. Viton® equipped coupler CR400V can also be ordered separately for a complete conversion.



Item nr.	Torque/ remark
4	Secure with Loctite 222 and torque to 70-90 in-lbs [7.9-10.2 Nm]
11	Torque to 90-110 in-lbs [10.2-12.4 Nm]
14	Torque to 40-60 ft-lbs [54-81 Nm]
	Use Loctite 545 or Teflon Tape