

# WW1 Effluent Filter

Protects Drainfield Components By Screening Effluent In Residential Applications With Flows Up To 1,500 Gpd (5.7 M<sup>3</sup>/Day)



Help prolong the life of an onsite system in residential applications. The deep pleated filter design offers highly effective screening and solids retention.

## Features

- Rated for flows up to 1,500 gpd (5.7 m<sup>3</sup>/day)
- 132 linear feet of 1/16" filtration
- Fits 4" sanitary tees or DWV Tees
- Easy to install and maintain
- Integral bypass protection screen
- High water alarm bracket available
- Lifetime warranty

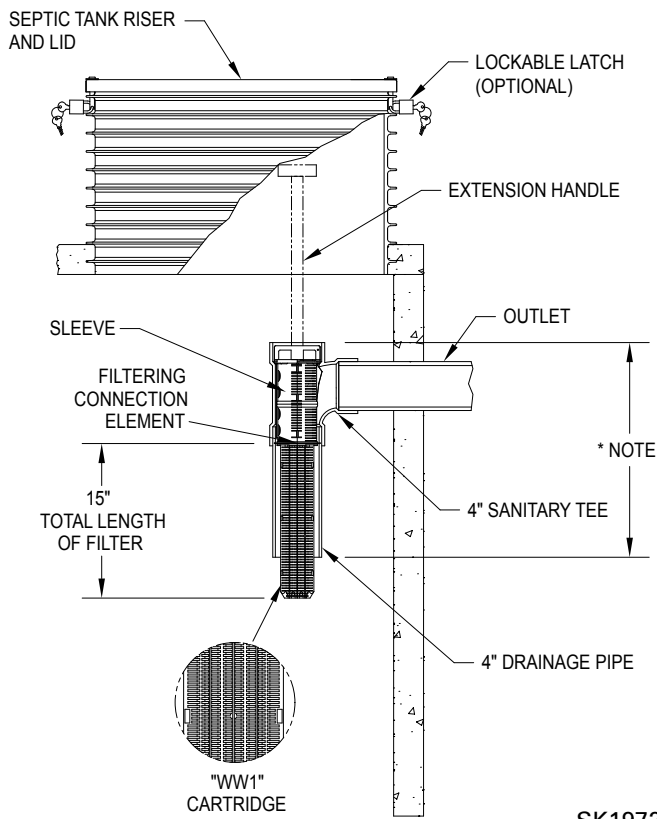
Alarm bracket sold separately  
Float switch sold separately



Trusted. Tested. Tough.®

zoellerpumps.com 800-928-7867  
3649 Cane Run Road, Louisville, KY 40211 USA

3.20.052  
CL0038  
0121  
Supersedes  
0119



Zoeller Pump Company septic tank effluent filters are designed to protect all downstream components from solids. Every filter comes standard with bypass protection which keeps the filter working, even during cleaning!

SK1972

WW1 Effluent Filter ( 1,500 GPD)	
Part Number	Description
170-0078	WW1 Effluent Filter
170-0079	WW1 Effluent Filter (10 pk)
170-0144	WW1 Effluent Filter with 4" sanitary tee
170-0145	WW1 Effluent Filter with 4" sanitary tee (10 pk)
5090-0014	Alarm bracket assembly
10-3067	C-Pak Alarm, touch pad without float
013216	Replacement filter cartridge (without bypass screen)
013218	Rubber alignment gasket
Container Assembly	
Part Number	Description
31-1473	12" Riser extension with hardware and gasket
31-1476	6" Riser extension with hardware and gasket
170-0078	WW1 Effluent Filter
170-0144	WW1 Effluent Filter with 4" sanitary tee
5090-0001	Container assembly with 12" riser and lid

