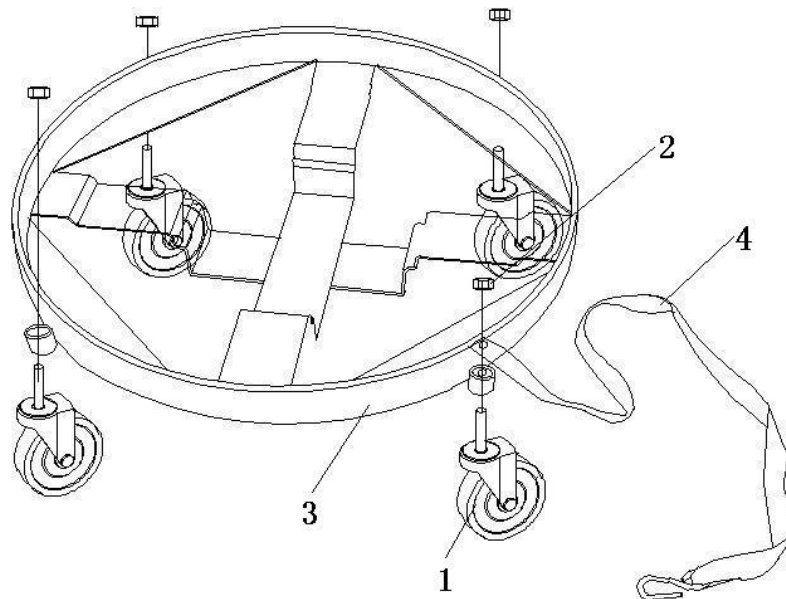


Ref No.	Description	Part No.	Qty
1 & 2	3" Caster Kit	MH6FVJ101G	1 pc
3	Dolly Body	*	1 pc
4	Dolly Strap	MH6FVJ102G	1 pc

( \* ) Not available as replacement part.



1. Screw four swivel casters (1) into the four long nuts installed on the outer perimeter of the dolly body (3).
2. Flip the dolly body (3) over and level it by individually adjusting the height of each caster by turning the threaded stem of each caster
3. Install a nut (2) over the threaded stem of each caster and securely tighten with wrench.
4. Place the steel grommet of the dolly strap (4) over the threaded stem of the fourth caster and tighten the nut with wrench (this step is optional and may be omitted if you desire not to use the strap).