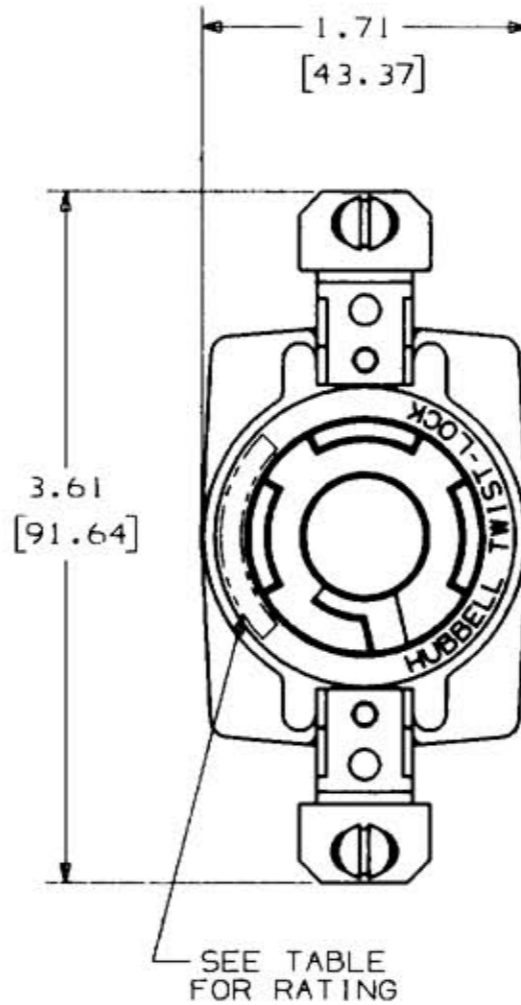
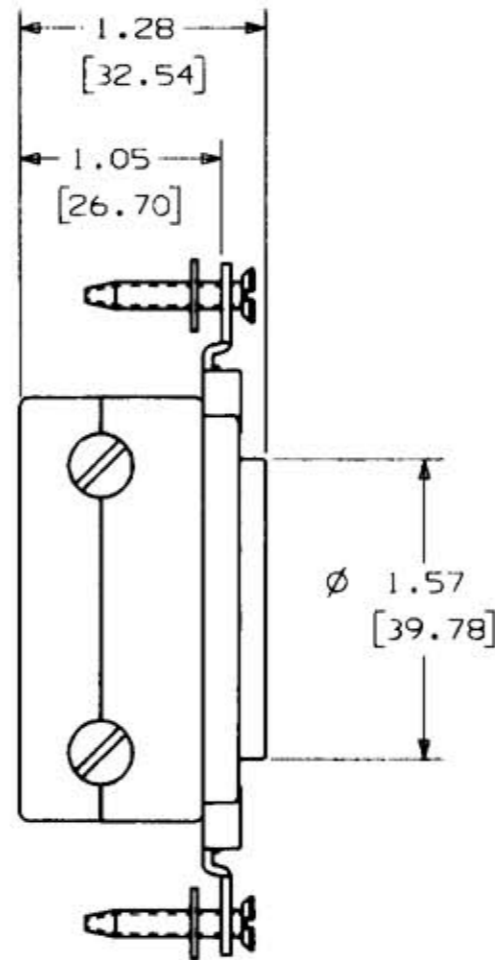
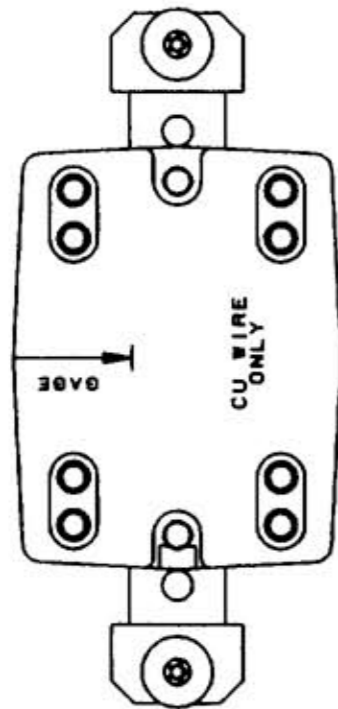


M-7137 1



SEE TABLE FOR RATING

CATALOG NO.	RATING
HBL7410B	20A 120/208V 3 ϕ Y
HBL7410BG	20A 250VAC

LIST OF PARTS

DESCRIPTION	MATERIAL	FINISH
FACE	UREA	
BASE	UREA	
CONTACT SPRING	BRASS	
WIRE CLAMPS	STEEL	ZINC PLATE
TERMINAL SCREWS	BRASS	
BRIDGE	STEEL	ZINC PLATE
MOUNTING SCREWS	STEEL	ZINC PLATE

DIMENSION SHEET FOR CAT. NO.

REPAIRABLE NON-REPAIRABLE

B

M-7137

1

SYM	REVISIONS	APP	DATE
1	RELEASED PER DCN #2818 RCM	W/11	6/23/94

THE DESIGN AND DIMENSIONS OF THE PRODUCT SHOWN ON THIS DRAWING ARE SUBJECT TO CHANGE WITHOUT NOTICE

TITLE
NON-NEMA GROUNDING RECEPTACLES

TOLERANCES UNLESS OTHERWISE SPECIFIED
FRACTIONS $\pm 1/64$
DECIMALS $\pm .005$
ANGLES $\pm 2^\circ$

WIRING DEVICE DIVISION
HUBBELL, INCORPORATED
BRIDGEPORT, CT
DR. BY RCM APP. BY W/11
TR. BY SCALE 1:1
CHK'D BY W/11 DATE 6/23/94