

IEC Pin and Sleeve

60A, 125/250V, 3 Pole, 4 Wire

Watertight Connector Body

Features

- Watertight neoprene gland seal to prevent water ingress from entering at cable entrance
- Sequential contact engagement to prevent a momentary over-voltage
- T

HUBBELL

Ordering Information

| Description | UPC | Catalog Number |
|--|--------------|----------------|
| Watertight IEC Pin and Sleeve Connector Body | 783585404783 | HBL460C12W |

Listings

UL Listed, File E146033
CSA Certified File LR280C
UL Classified to IEC 60309-1 IEC 60309-2

Specifications

| | |
|-------------|----------------|
| Housing | PBT |
| Cord Clamps | PBT |
| Glands | Solid Neoprene |
| Covers | PBT |
| Gaskets | Santoprene |

Performance

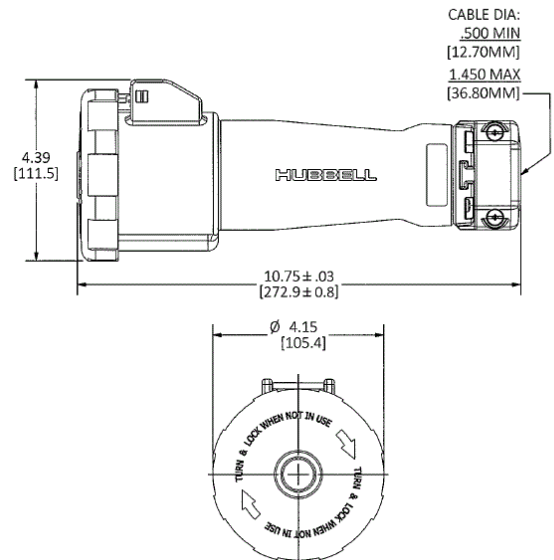
| Electrical | |
|-------------------------|--|
| Current Interrupting | Certified for current interrupting at full rated current |
| Dielectric Voltage | Withstand 3000V AC |
| Max. Working Voltage | 600V RMS |
| Mechanical | |
| Impact Resistance | Per CSA C22.2 No. 182.1 / UL1682 |
| Product Identification | Identification and ratings are a permanent part of the device housing |
| Terminal Identification | Terminals identified in accordance with North American and IEC conventions |
| Environmental | |
| Flammability | V-0 |
| Ingress Protection | Type 3R,3RX,4X and IP68,IP69K |
| Moisture Resistance | IEC 60309-1 |
| Operating Temperatures | Maximum Continuous 75°C; Minimum - 40°C w/o impact |

Complementary Products

Cover Assemblies
Cord Clamp and Locking Ring
Liquidtight Adapters

Online Resources

Customer Sales Drawing
eCatalog
Installation Instructions



Dimensions in Inches (mm)

Hubbell Wiring Device-Kellems • Hubbell Incorporated (Delaware) • 40 Waterview Drive • Shelton, CT 06484

Phone (800) 288-6000 • Fax (800) 255-1031 • Specifications subject to change without notice.

