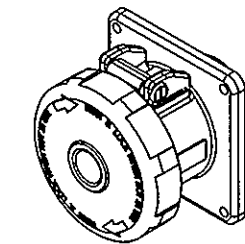
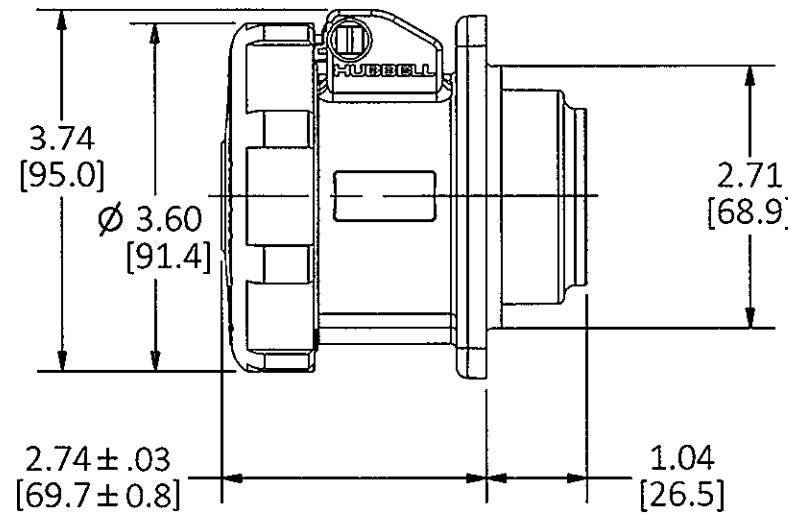
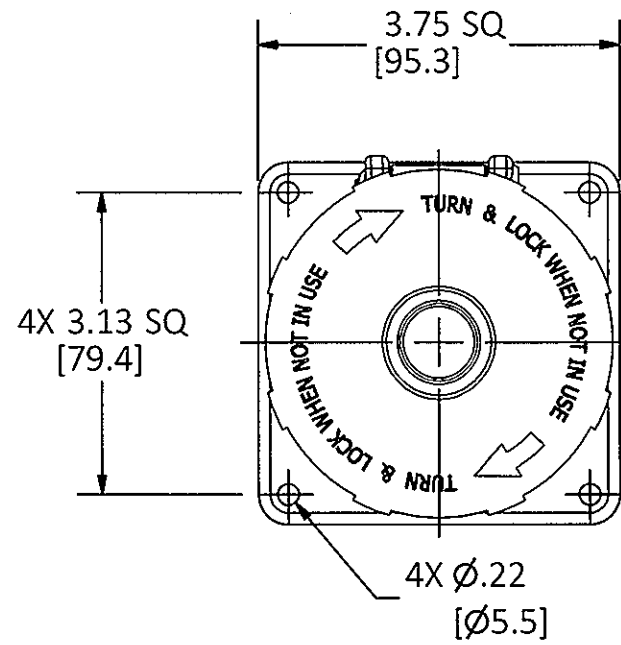


M-13317

1



CAT. NO.	CONFIG.	RATING	HOUSING COLOR
HBL432R3W		32A-3h/380V-50Hz, 440V-60Hz	RED
HBL430R5W		30A 600VAC 3Ø	BLACK
HBL430R6W		30A 380-415VAC 3Ø 32A - 6h/380-415V~	RED
HBL430R6V02		30A 380-415VAC 3Ø 32A - 6h/380-415V~	RED
HBL430R7W		30A 480VAC 3Ø	RED
HBL430R9W		30A 250VAC 3Ø 32A - 9h/200-250V~	BLUE
HBL430R12W		30A 125/250VAC	ORANGE

LIST OF PARTS		
DESCRIPTION	MATERIAL	FINISH
HOUSING	PBT	
INTERIOR	THERMOSET	
SLEEVES	BRASS	
SLEEVE SPRINGS	BERR COPPER	SILVER
TERMINAL SCR.	ST. STEEL	
COVER	PBT	
GASKET	CLOSED CELL FOAM	
HINGE ARM	PBT	
HINGE PIN	BRASS	NICKEL
HINGE SPRING	ST. STEEL	
GLAND CAP	PBT	
GLANDS	NEOPRENE	
CLAMPS	PBT	
CLAMP NUTS	BRASS	NICKEL
ASSY. SCREWS	ST. STEEL	

1	INITIAL RELEASE PER DCN 21982 Mr. B. [Signature]	TLS	3/10/16
REV	DESCRIPTION	APP	DATE

THE DESIGN AND DIMENSIONS OF THE PRODUCT SHOWN ON THIS DRAWING ARE SUBJECT TO CHANGE WITHOUT NOTICE. DIMENSIONS ARE IN INCHES [mm].

TITLE
30A & 32A 3 POLE 4 WIRE PIN AND SLEEVE RECEPTACLE

WIRING DEVICE-KELLEMS
HUBBELL INCORPORATED
SHELTON, CT

TOLERANCES UNLESS OTHERWISE SPECIFIED .XX = ± .01 .XXX = ± .005 ANGLE TOL. ±2'	DR. BY Mr. B	SCALE 1 : 2
	CHK. BY TLS	DATE 3/2/16

DIMENSION SHEET FOR CAT. NO. SEE TABLE

B

M-13317

1