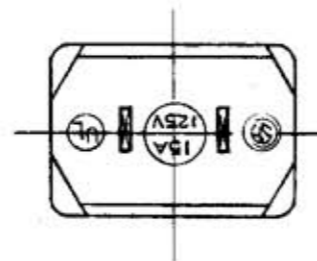
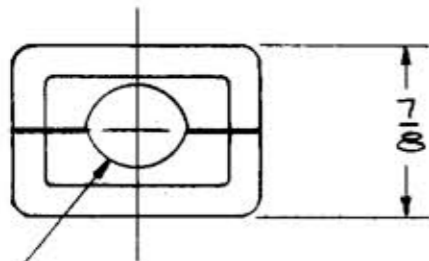
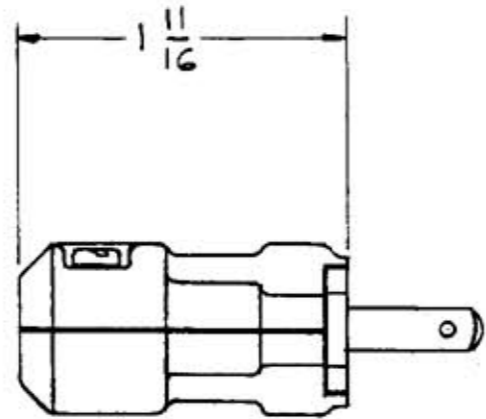
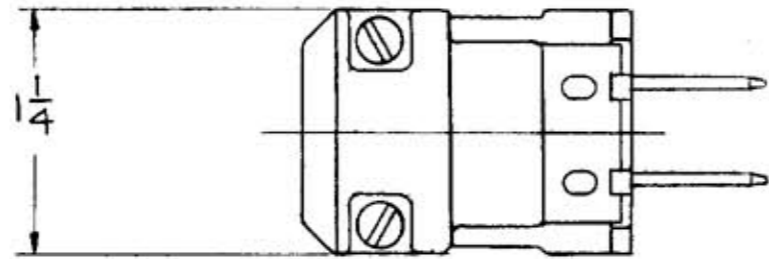


M-5889 1



CORD CLAMPS TAKE
CORD FROM $13/64$ " - $13/32$ " DIA.

LIST OF PARTS

DESCRIPTION	MATERIAL	FINISH
HOUSING	NYLON	YELLOW
CONTACT BLADE	BRASS	
WIRING CLAMPING NUT	STEEL	NICKEL PL.
BINDING HD. SCR.	STEEL	
CORD CLAMP SCR.	STEEL	ZINC PL.

DIMENSION SHEET FOR CAT. NO. 5865-VY

REPAIRABLE NON-REPAIRABLE

B M-5889

1	CONTACT BLADE WAS 1-WHITE BP. HD. SCREW WAS 1-WHITE		5-5-77 ASM
SYM	REVISIONS	APP	DATE

TITLE
15A, 125V. 2-WIRE DEAD FRONT
VALISE PLUG

TOLERANCES UNLESS OTHERWISE SPECIFIED		HARVEY HUBBELL, INC.	
FRACTIONS ± 1/64	DECIMALS ± .005	BRIDGEPORT, CONN.	
ANGLES ± 2°		DR. BY A.J.L.	APP. BY
		TR. BY	SCALE FULL
		CHK'D. BY	DATE 4-19-76

CODE 74545