

Please read and save these instructions. Read carefully before attempting to assemble, install, operate or maintain the product described. Protect yourself and others by observing all safety information. Failure to comply with instructions could result in personal injury and/or property damage! Retain instructions for future reference.

Dayton® Fiberglass Wall Shutter Modification

use optional 24N064 Motor

We recommend shutter not be mounted closer to the fan than 1/3 the diameter of fan blade.

Do not force shutter into opening!

Do not open shutter by lifting individual blades!

Do not install shutter leaning forward or backward!

General Safety Information

1. Follow all local electrical and safety codes, as well as the National Electrical Code (NEC) and the Occupational Safety and Health Act (OSHA) in the United States.
2. Motor must be securely and adequately grounded. This can be accomplished by wiring with a grounded, metal-clad raceway system, by using a separate ground wire connected to the bare metal of the motor frame, or other suitable means.
3. Always disconnect power source before working on or near a motor or its connected load. If the power disconnect point is out-of-sight, lock it in the open position and tag to prevent unexpected application of power.
4. Protect the power cable from coming in contact with sharp objects.
5. Do not kink power cable and never allow the cable to come in contact with oil, grease, hot surfaces, or chemicals.
6. Make certain that the power source conforms to the requirements of your equipment.

Installation of Fiberglass Motorized Wall Shutters

1. Shutter frame should be mounted level and squarely on outside wall. Care should be taken not to twist the shutter frame. Never cover shutter with siding or masonry work. Shutter should be mounted so it can be removed any time in case of damage.
2. Use tie rod only to test opening and closing of shutter.
3. Shutter should operate as freely after installation as it did before.
4. Caulking compound is recommended between shutter frame edges and the wall.
5. Clean and lubricate shutter at the same time that the fan is lubricated and cleaned.

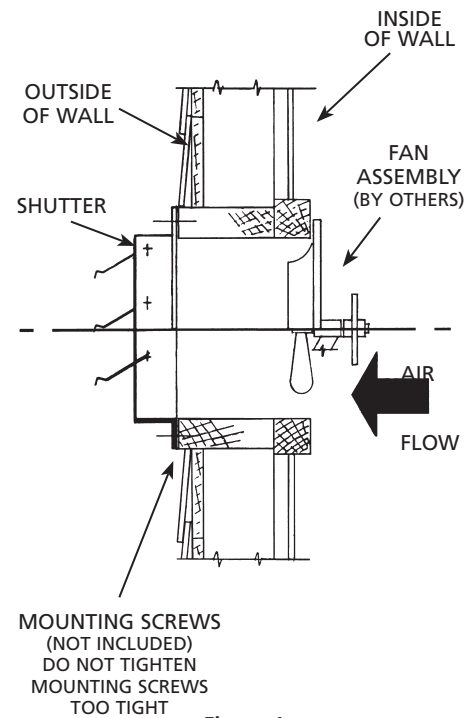
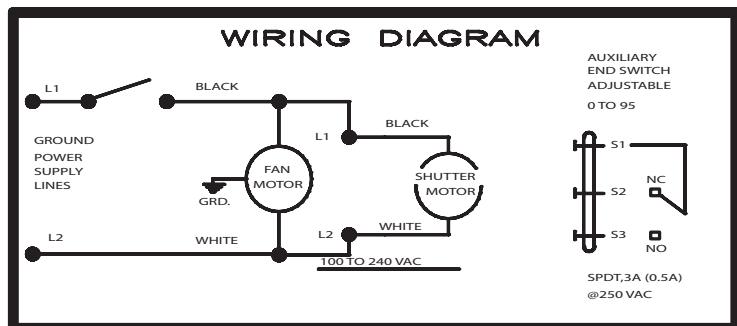


Figure 1

Models 24N064, 24N065, 4C885B



Wiring Diagram: 100 - 240V, 50/60 Hz

Figure 2 - Wiring Diagrams

ENGLISH

ESPAÑOL

FRANÇAIS

Dayton® Fiberglass Wall Shutter Modification

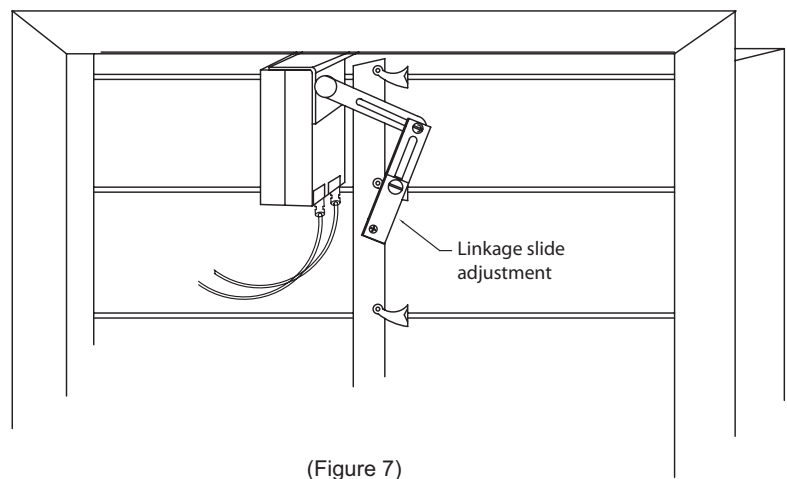
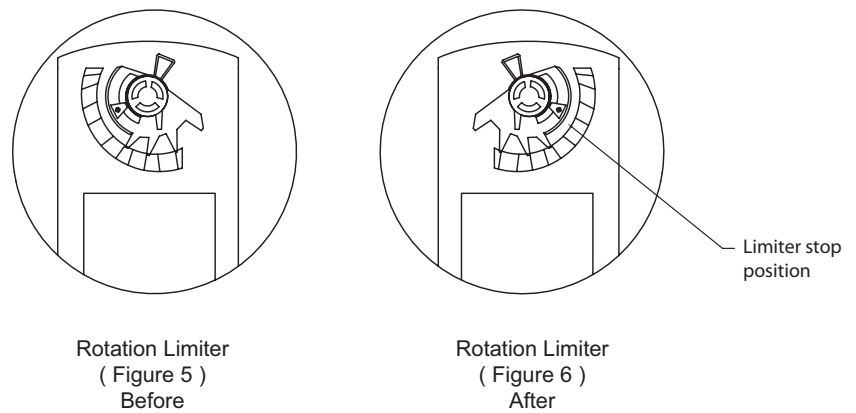
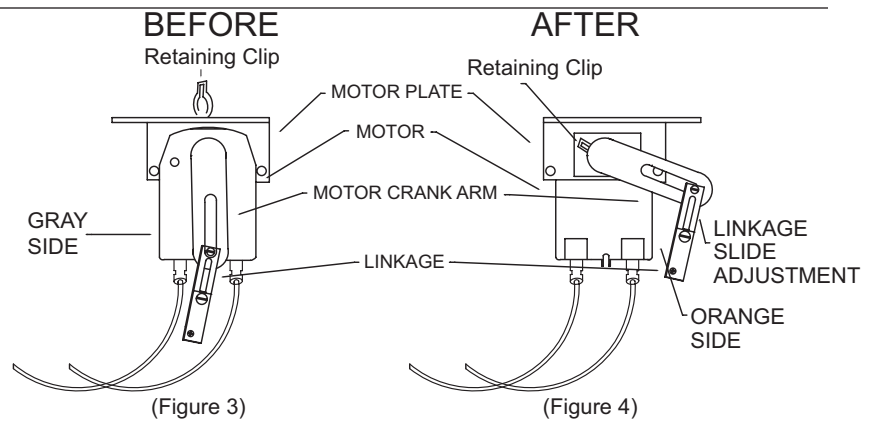
Use These Instructions For Modification of Actuator Model 24N064

Purpose: This procedure is performed to modify the standard single panel shutter motor pack to operate on single panel fiberglass shutter models. Follow this procedure to move the motor crankarm from the gray side of the actuator to the orange side, and to move the rotation limiter from the orange side to the gray side.

1. Use pliers to remove crankarm retaining clip (See Figure 3). Save clip.
2. Use screwdriver to gently pry crankarm from actuator.
3. Remove actuator mounting bolts from motor bracket. Save bolts.
4. Remove limiter stop retaining clip (Figure 5)
5. Gently pry limiter from orange side of actuator.
6. Remove limiter stop screw and re-install on opposite side of limiter.
7. Re-install limiter on gray side of actuator.
8. Tighten limiter stop screw in position shown (Figure 6).
9. Re-install limiter stop cover and retaining clip.
10. Re-install actuator so that orange side is against motor bracket (See Figure 3). Re-install mounting bolts.
11. Re-install crankarm in the 4 o'clock position on orange side of actuator, through large square hole in mounting bracket as shown (Figure 4).
12. Securely re-install crankarm retaining clip.
13. Remove linkage screw and nut from linkage end. Save screw and nut.

Installation of Motor

1. Remove plastic plug from shutter frame top.
2. Attach actuator bracket to shutter frame using 1/4-20 bolt and nut provided, leaving mounting bolt loose.
3. Align linkage to right of tie rod, loosen linkage slide (See Figure 7). Note: linkage should be angled in toward louvers.
4. Re-install linkage screw and nut, securing linkage to shutter tie rod.
5. Make sure shutter louvers are fully closed, and tighten linkage slide adjustment.
6. Tighten bracket mounting bolt to frame top.
7. Wire actuator as per Figure 2, louvers should open fully when power applied.



Motor Specifications

Power Supply Req'd	Motor (*)		Motor Dimensions		
	Running Watts	Torque	H	W	D
100-240V	2.0	18 inch-lbs.	6 1/4"	3"	3 1/2"

(*) Motor is single-phase, continuous duty with a 40°C, (104°F) maximum ambient temperature.

ENGLISH

Dayton® Fiberglass Wall Shutter Modification

Limited Warranty

Dayton Five-Year Limited Warranty. Dayton® Fiberglass Wall Shutter, Models covered in this manual, are warranted by Dayton Electric Mfg. Co. (Dayton) to the original user against defects in workmanship or materials under normal use for five years after date of purchase. Any part which is determined to be defective in material or workmanship and returned to an authorized service location, as Dayton designates, shipping costs prepaid, will be, as the exclusive remedy, repaired or replaced at Dayton's option. For limited warranty claim procedures, see PROMPT DISPOSITION below. This limited warranty gives purchasers specific legal rights which vary from jurisdiction to jurisdiction.

Limitation of Liability. To the extent allowable under applicable law, Dayton's liability for consequential and incidental damages is expressly disclaimed. Dayton's liability in all events is limited to and shall not exceed the purchase price paid.

Warranty Disclaimer. Dayton has made a diligent effort to provide product information and illustrate the products in this literature accurately; however, such information and illustrations are for the sole purpose of identification, and do not express or imply a warranty that the products are MERCHANTABLE, OR FIT FOR A PARTICULAR PURPOSE, or that the products will necessarily conform to the illustrations or descriptions.

Except as provided below, no warranty or affirmation of fact, expressed or implied, other than as stated in the "LIMITED WARRANTY" above is made or authorized by Dayton.

Product Suitability. Many jurisdictions have codes and regulations governing sales, construction, installation, and/or use of products for certain purposes, which may vary from those in neighboring areas. While Dayton attempts to assure that its products comply with such codes, it cannot guarantee compliance, and cannot be responsible for how the product is installed or used. Before purchase and use of a product, review the product applications, and all applicable national and local codes and regulations, and be sure that the product, installation, and use will comply with them.

Certain aspects of disclaimers are not applicable to consumer products; e.g., (a) some jurisdictions do not allow the exclusion or limitation of incidental or consequential damages, so the above limitation or exclusion may not apply to you; (b) also, some jurisdictions do not allow a limitation on how long an implied warranty lasts, consequently the above limitation may not apply to you; and (c) by law, during the period of this Limited Warranty, any implied warranties of implied merchantability or fitness for a particular purpose applicable to consumer products purchased by consumers, may not be excluded or otherwise disclaimed.

Prompt Disposition. Dayton will make a good faith effort for prompt correction or other adjustment with respect to any product which proves to be defective within limited warranty. For any product believed to be defective within limited warranty, first write or call dealer from whom the product was purchased. Dealer will give additional directions. If unable to resolve satisfactorily, write to Dayton at address below, giving dealer's name, address, date, and number of dealer's invoice, and describing the nature of the defect. Title and risk of loss pass to buyer on delivery to common carrier. If product was damaged in transit to you, file claim with carrier.

Manufactured for Dayton Electric Mfg. Co., 100 Grainger Parkway, Lake Forest, Illinois 60045 U.S.A.