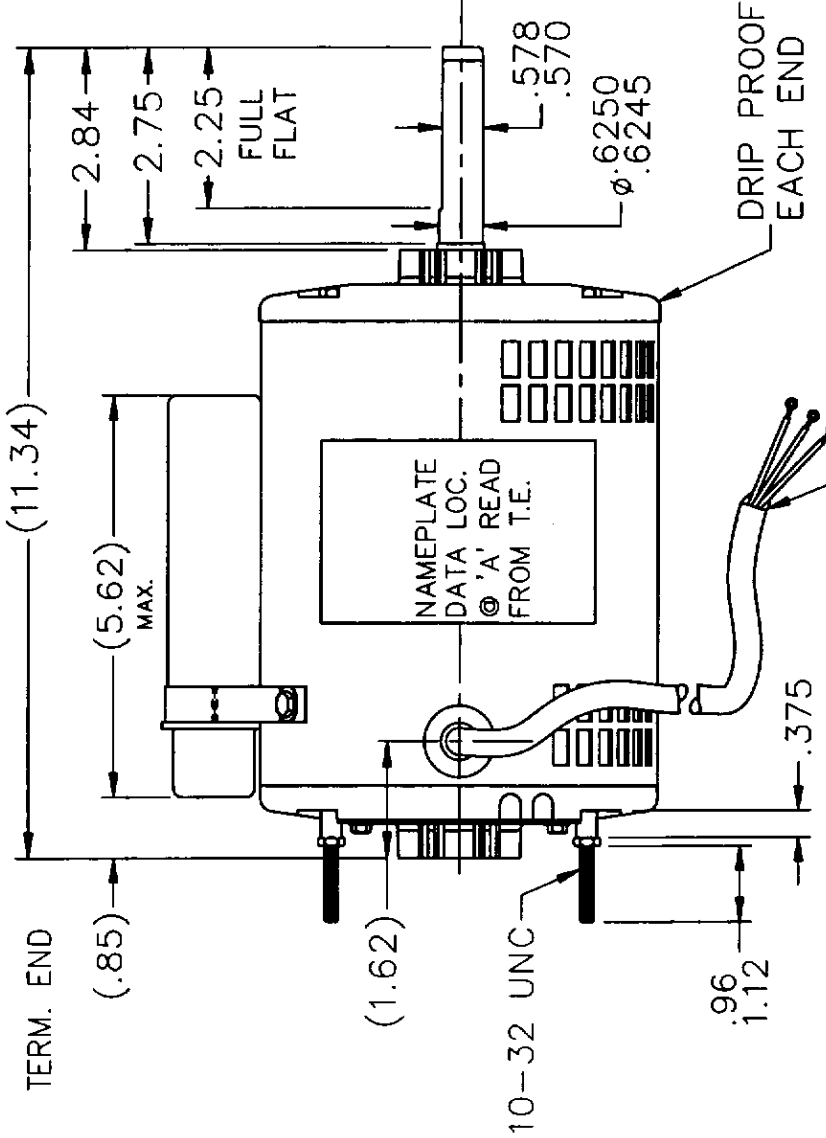
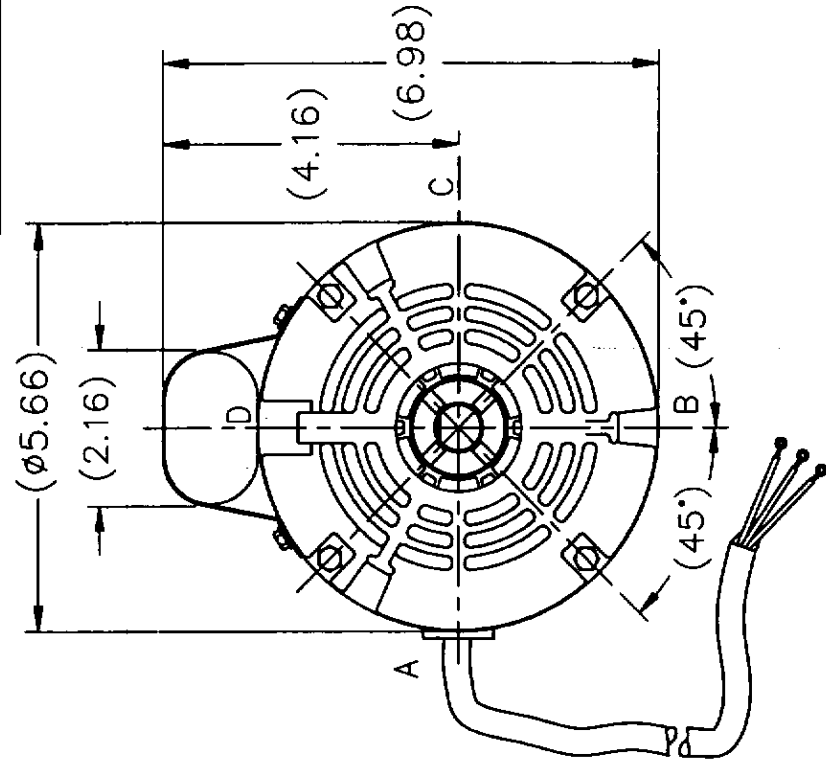


5BE64-0D



16-3 SEOW CORD 30" LONG WITH RING TERMINALS

		DAYTON ELECTRIC MFG. CO. 5959 WEST HOWARD ST. NILES, IL 60714 USA		DRAWN R.W 04-28-2005 CHK ML 04-28-2005 APPD MJS 04-28-2005
TITLE OUTLINE		SCALE 3=8	REF	FPM MU66095
FINISH		MAT'L	PREV SS403474	PAGE OF
CAD FILE 5BE64_OD		SIZE A	DRAWING NO. 5BE64-0D	REV.
DIST WP		RFP 04-28-2005	CHK ANG	BY & DATE
REVISION		UNLESS SPECIFIED	DEC. INCHES	THIS DRAWING IN DESIGN AND DETAIL IS OUR PROPERTY AND MUST NOT BE USED EXCEPT IN CONNECTION WITH OUR WORK ALL RIGHTS OF DESIGN AND INVENTION ARE RESERVED THIS IS AN ELECTRONICALLY GENERATED DOCUMENT - DO NOT SCALE THIS PRINT
NO.	.X ±.1 .XX ±.03 .XXX ±.005 .XXXX ±.0005	TOLERANCES UNLESS SPECIFIED	.X ±.1 .XX ±.03 .XXX ±.005 .XXXX ±.0005	THIS DRAWING IN DESIGN AND DETAIL IS OUR PROPERTY AND MUST NOT BE USED EXCEPT IN CONNECTION WITH OUR WORK ALL RIGHTS OF DESIGN AND INVENTION ARE RESERVED THIS IS AN ELECTRONICALLY GENERATED DOCUMENT - DO NOT SCALE THIS PRINT