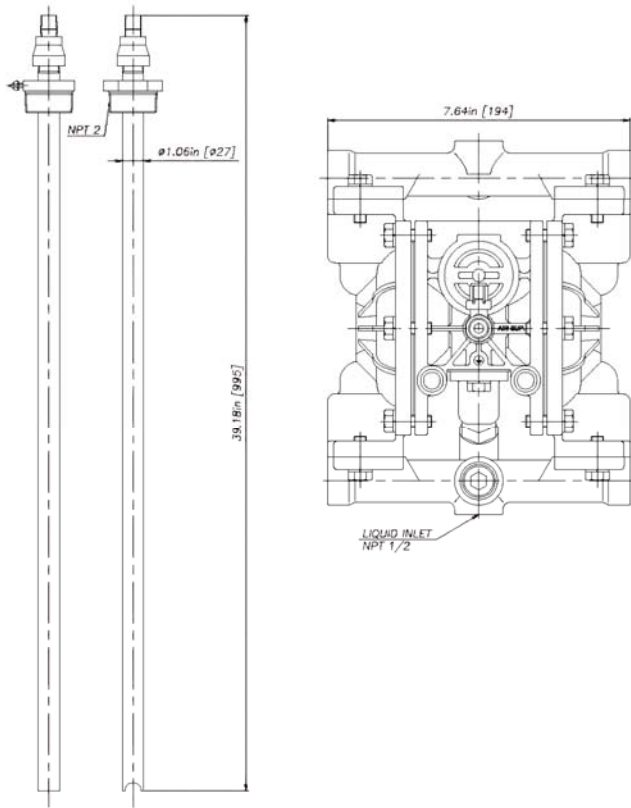
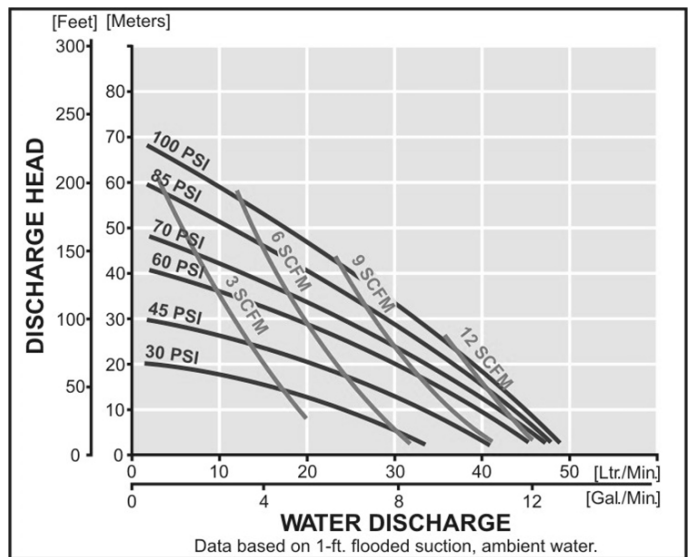
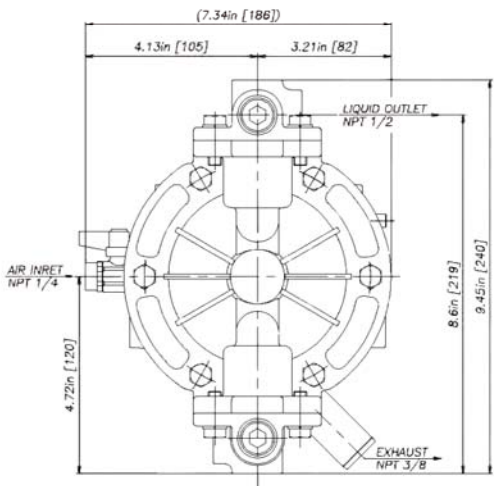


DAYTON AIR-OPERATED DOUBLE DIAPHRAGM PUMP

53JU98

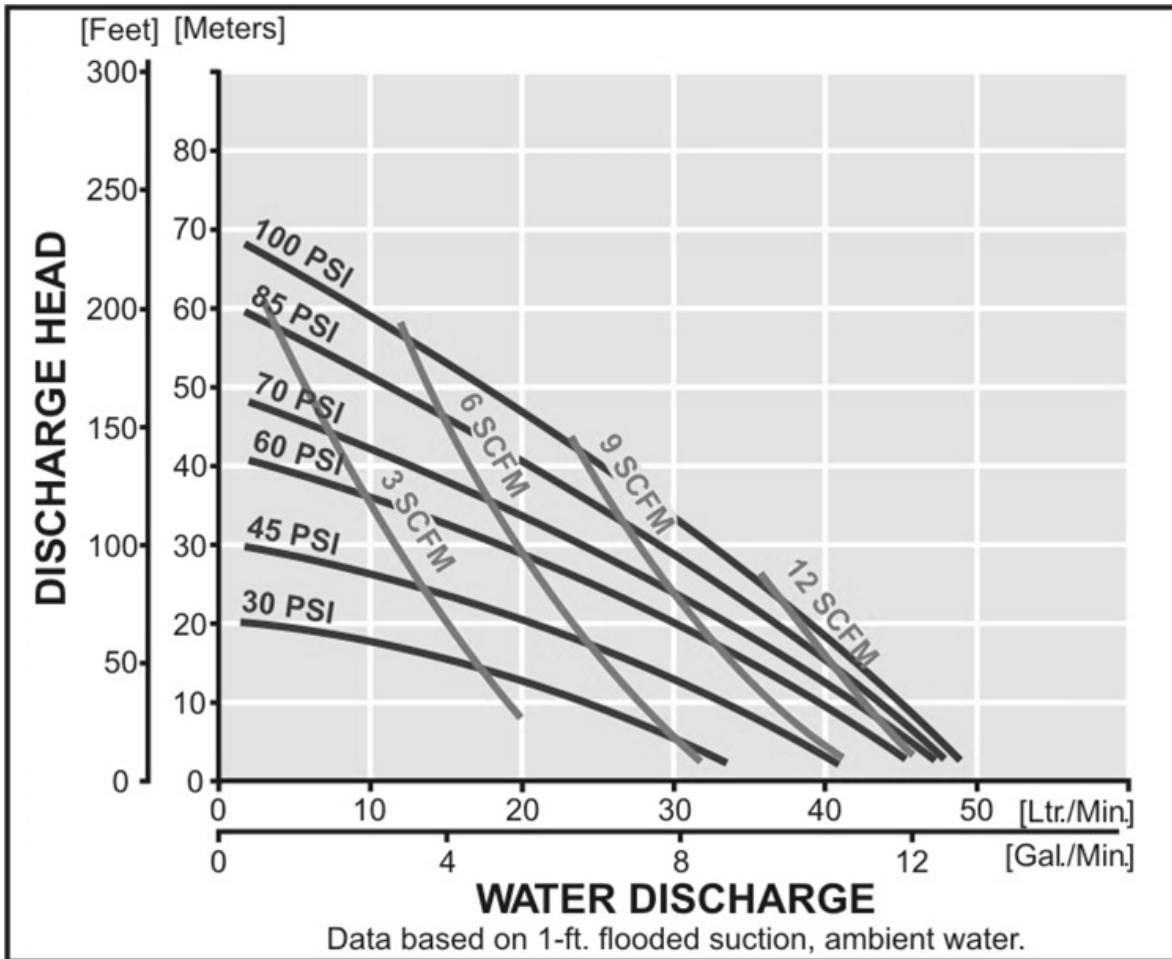


SHIPPING WEIGHT	21.3 LBS
MAXIMUM LIQUID TEMPERATURE	180°F (82°C)
INTAKE & DISCHARGE PORTS	1/2" PORT, NPT
FLOW	0 - 15 GPM MAX
MAX AIR SUPPLY PRESSURE	100 PSI (1.4 - 7 KGF/CM ²)
BODY MATERIAL	ALUMINUM
LIFT - DRY, WET	15 FT, 28 FT
AIR VALVE	
LUBRICATION	NO LUBRICATION REQUIRED
MANUAL OVERRIDE	YES
LIQUID SIDE	
EASY REPAIR	YES
BALL CHECK VALVE	BUNA N
O-RINGS	BUNA N
DIAPHRAGMS	BUNA N



Find it at Grainger.

Call or visit your local branch or go to grainger.com/Dayton for complete

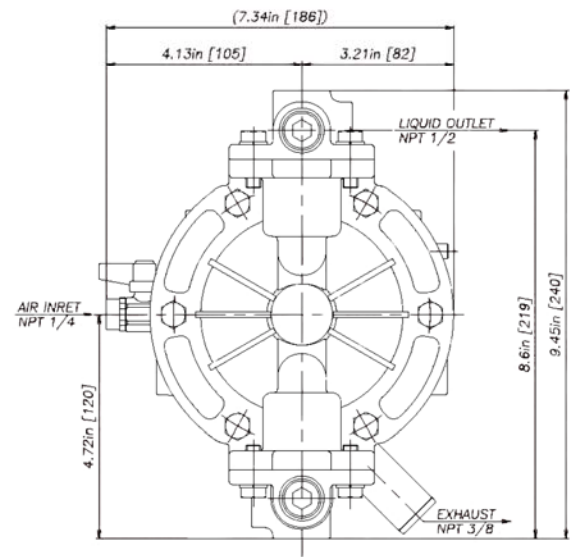
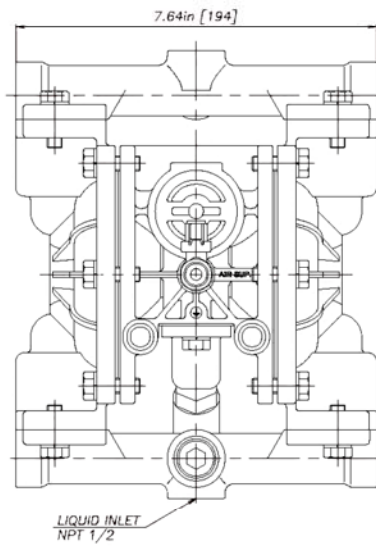
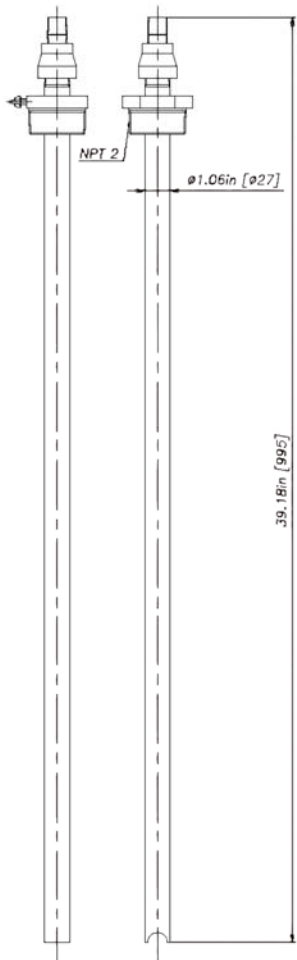


Find it at Grainger.

Call or visit your local branch or go to grainger.com/Dayton for complete

DAYTON AIR-OPERATED DOUBLE DIAPHRAGM PUMP

53JU98



Find it at Grainger.

Call or visit your local branch or go to grainger.com/Dayton for complete