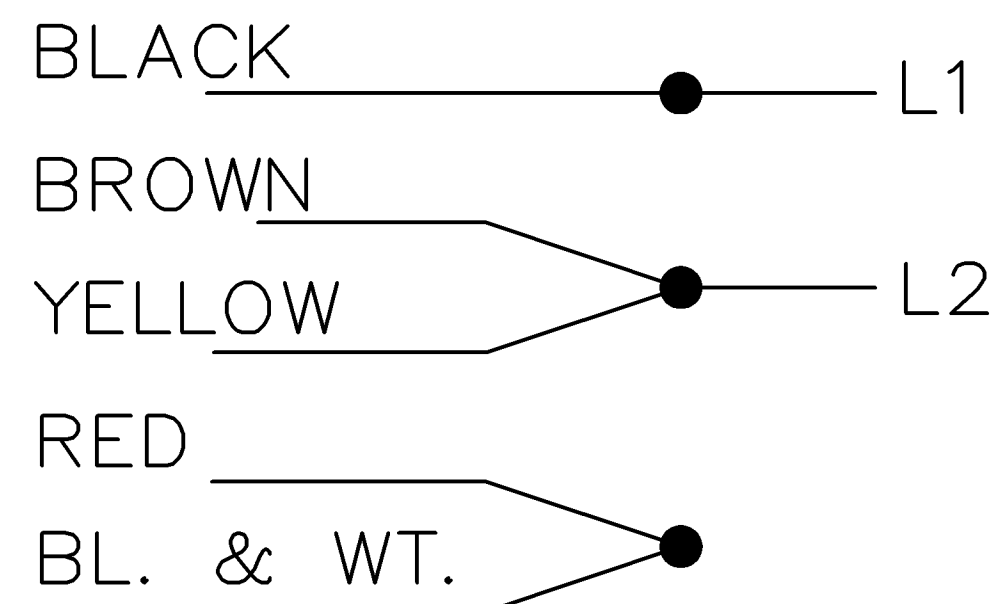
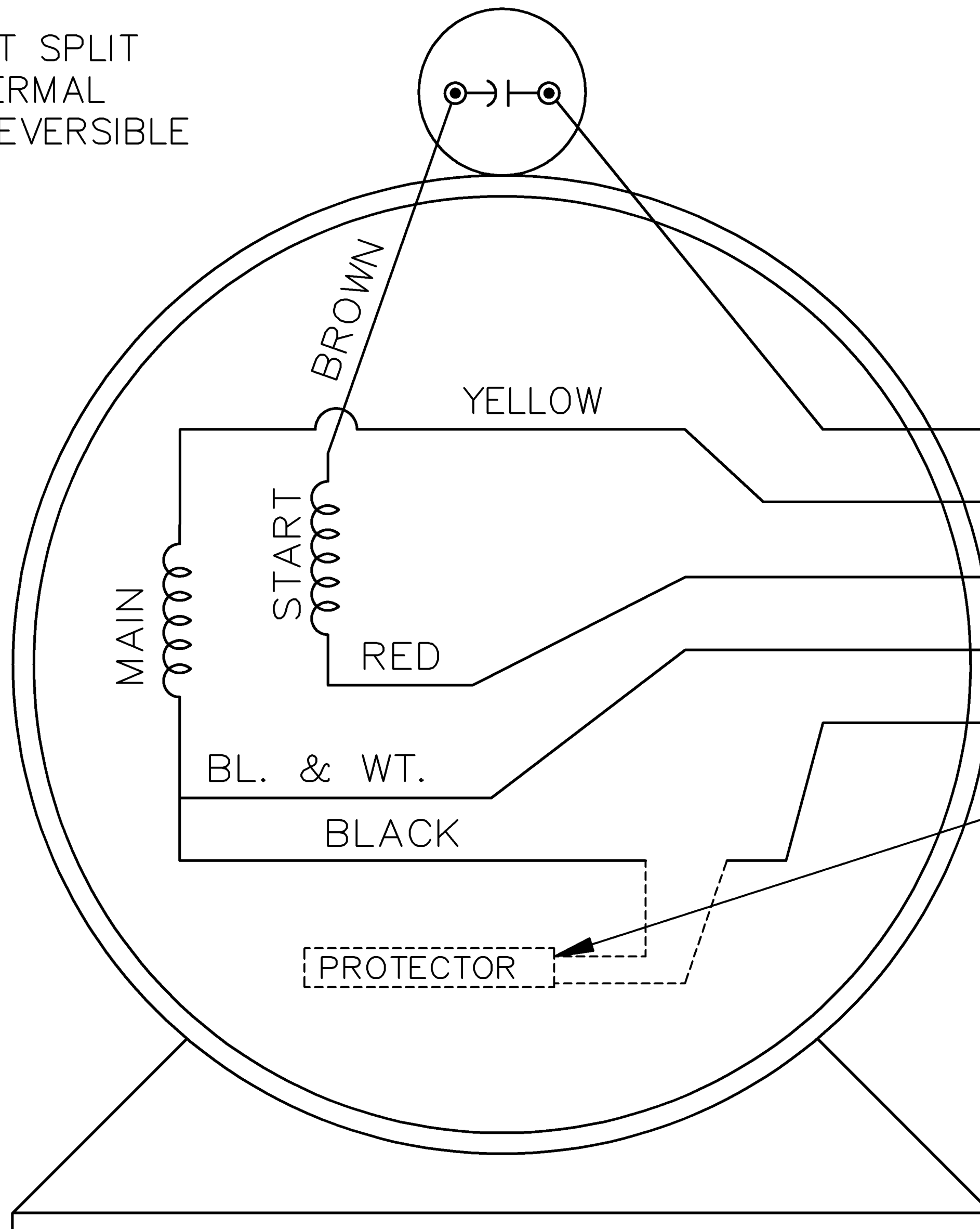
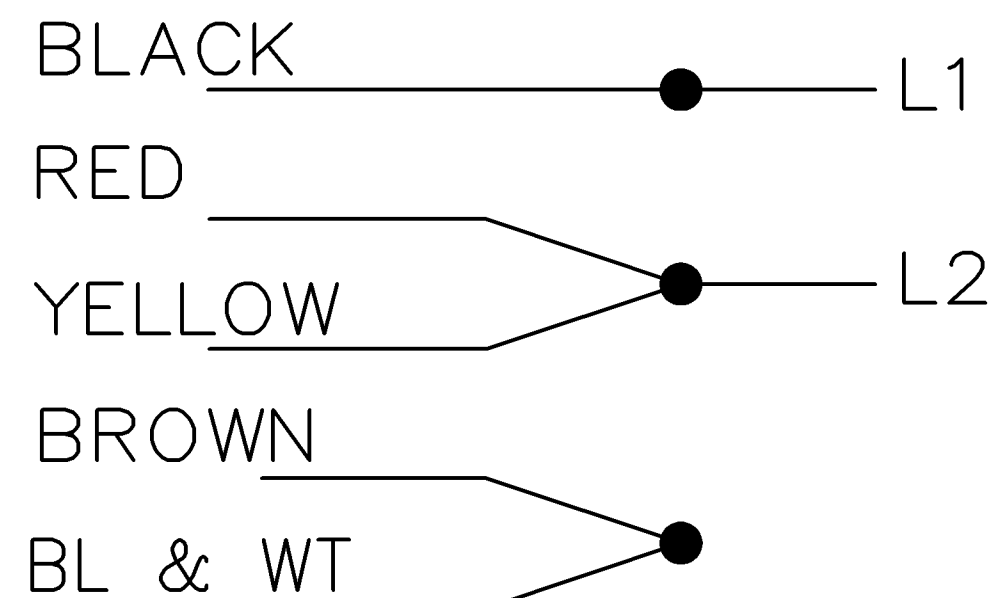


SINGLE VOLTAGE-PERMANENT SPLIT CAPACITOR MOTOR WITH THERMAL PROTECTOR ELECTRICALLY REVERSIBLE

CW ROTATION



CCW ROTATION



VIEW OF SHAFT END

WHEN PROTECTOR IS CALLED FOR ON STATOR ASSEMBLY IT WILL BE CONNECTED IN THIS LEAD & BOUND IN THE COIL BUTTS BY WINDING DEPT.

C6BH

				TOLERANCES UNLESS SPECIFIED		Dayton Electric Mfg. Co. 5959 West Howard St. Niles, IL 60714 USA	DRAWN NJS 01-25-2005			
				DEC.	INCHES		CHK ML 01-26-2005			
				.X	± -		APPD GK 01-26-2005			
				.XX	± -		SCALE 1=1			
				.XXX	± -		REF EE9022CJ			
1	REVISED TO READ VIEW OF SHAFT END	NJS 02-03-2005	ML	.XXXX	± -	MAT'L.	FMF			
NO.	REVISION	BY & DATE	CHK	ANG	± -	FINISH	PREV			
THIS DRAWING IN DESIGN AND DETAIL IS OUR PROPERTY AND MUST NOT BE USED EXCEPT IN CONNECTION WITH OUR WORK ALL RIGHTS OF DESIGN AND INVENTION ARE RESERVED THIS IS AN ELECTRONICALLY GENERATED DOCUMENT - DO NOT SCALE THIS PRINT				RFP	01-26-2005	CAD FILE 4YU24_WD	SIZE A	DRAWING NO. 4YU24-WD	PAGE OF 1	REV. 1
				DIST	WP					