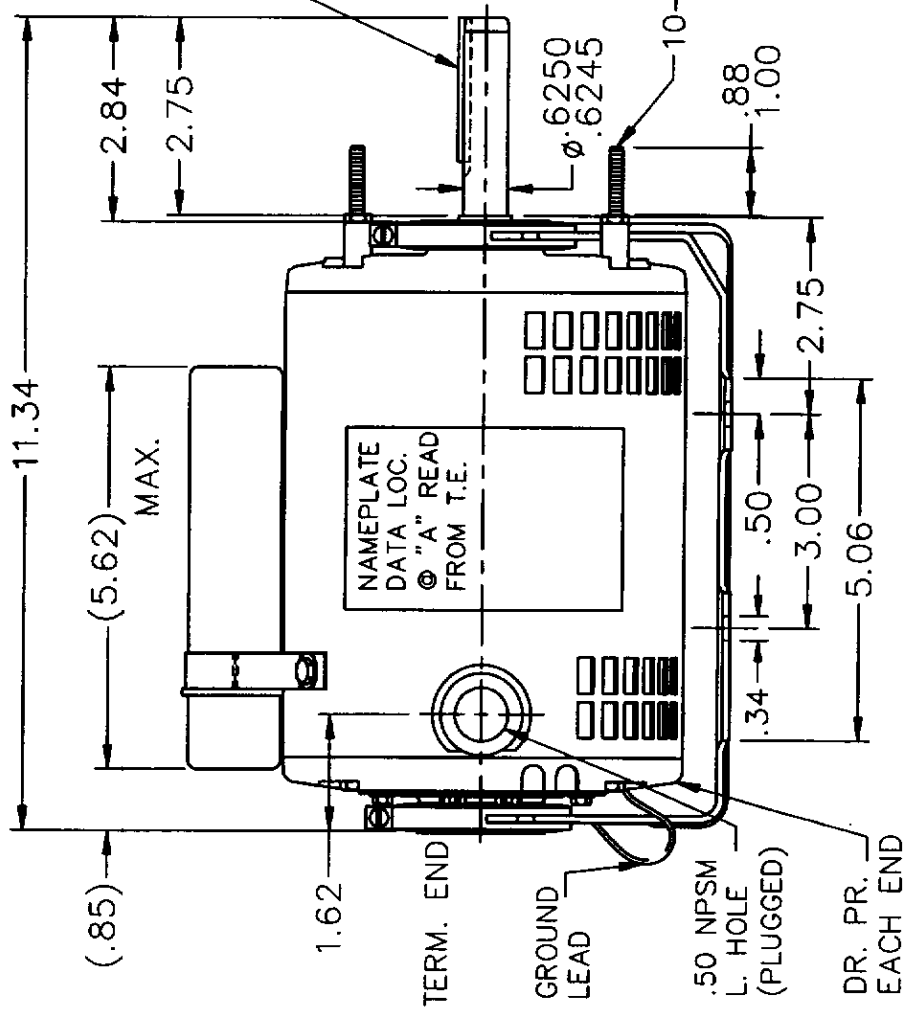
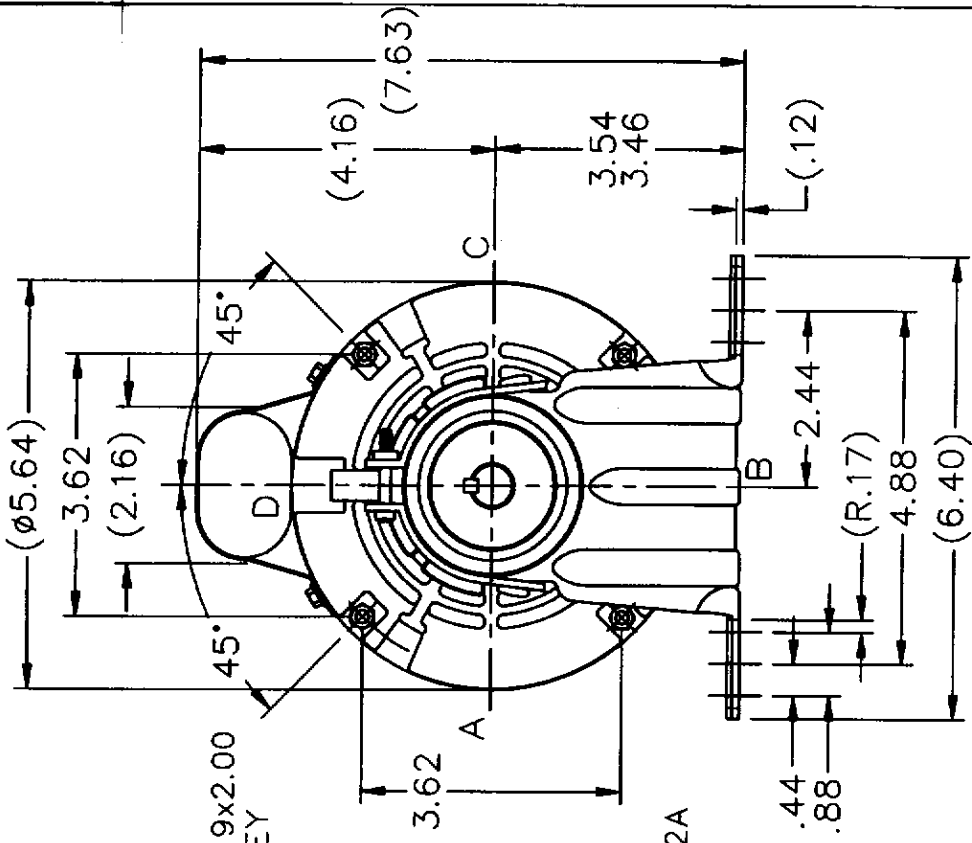


4YU24-0D



		DAYTON ELECTRIC MFG. CO. 5959 WEST HOWARD ST. NILES, IL 60714 USA		DRAWN NJS 03-01-2005 CHK ML 03-02-2005 APPD TOM 03-02-2005
TITLE OUTLINE		SCALE 3-8		REF FWF PREV
FINISH		MAT'L.		CHK ANG ±7.30°
BY & DATE		RFP 03-02-2005		CAD FILE 4YU24_0D
REVISION		DIST WP		SIZE A
THIS DRAWING IN DESIGN AND DETAIL IS OUR PROPERTY AND MUST NOT BE USED EXCEPT IN CONNECTION WITH OUR WORK. ALL RIGHTS OF DESIGN AND INVENTION ARE RESERVED. THIS IS AN ELECTRONICALLY GENERATED DOCUMENT - DO NOT SCALE THIS PRINT		DRAWING NO. 4YU24-0D		PAGE OF REV.