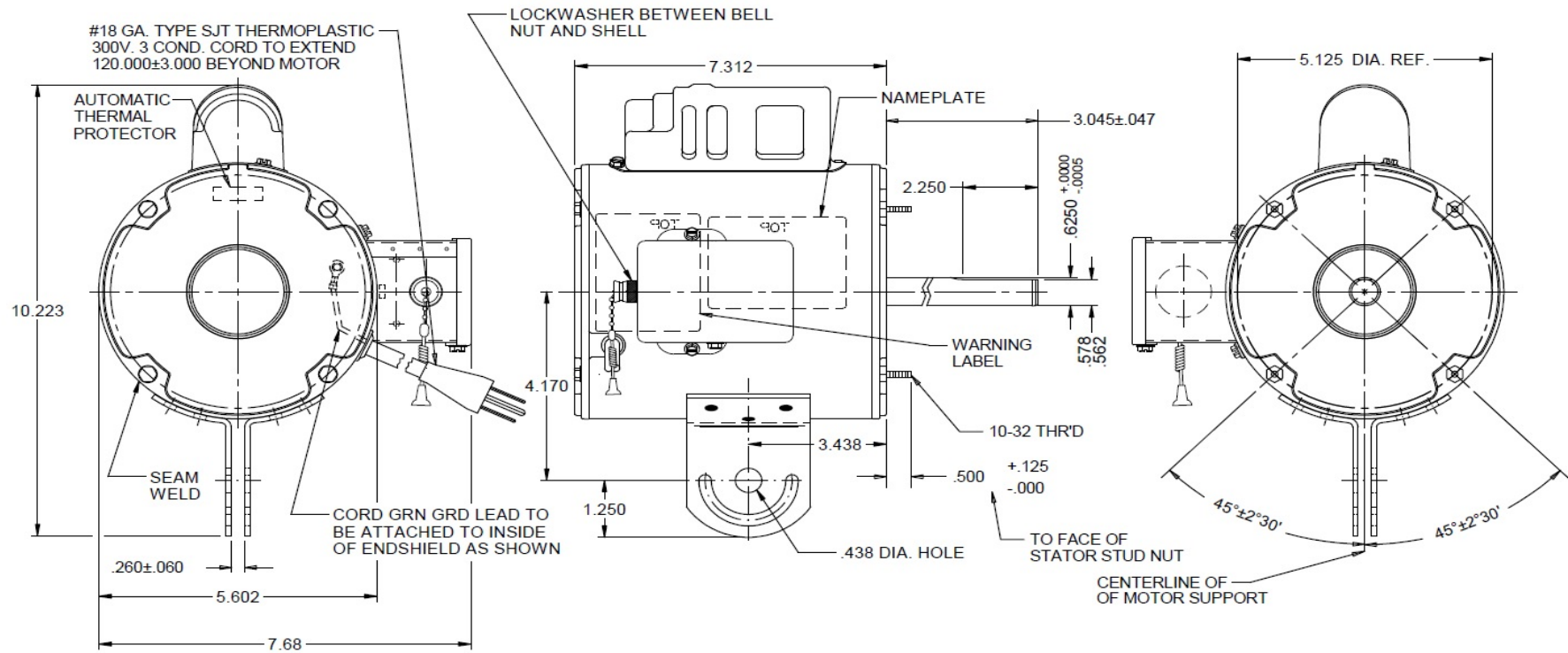


Dimensional Drawing

4UX63BG

REV.
-

MODEL	REF	CUSTOMER	HP	VOLTS	AMPS	HZ	RPM	ROTATION	CUSTOMER PT. NO.	DESCRIPTION / REMARKS
K55HXKRP-2381		GRAINGER	1/2	115	5.8	60	1075/2 SPD	CCW LE	4UX63BG	48YZ, TEAO, BALL BEARING



DRAWING NO.	PAGE 1 of 1	REV.
	4UX63BG	-

4UX63BG

REV.

-

SHADED-POLE & PSC MOTOR PERFORMANCE

HP:	1/2						
Poles:	6						
Ambient (°C):	40						
Altitude (FASL):							
No. of Speeds:	2						
HIGH SPEED							
Volts:	115	115					
HZ:	60	60					
Service Factor:	1						
Efficiency:	@ Rated Load	-					
Power Factor:	@ Rated Load	-					
Amps:	@ No Load						
	@ Rated Load	5.2					
	@ Locked Rotor	15.7					
RPM:	@ Rated Load	1131					
Torques:	Breakdown	58.2					
	Locked Rotor	10.5					
	Pull-Up	10.5					
	Rated Load	37.1					
	Service Factor	N/A					
Watts:	Rated Load	538					
Temperature Rise:	@ Rated Load	N/A					
Thermal Protector:	Trip Temp (°C)	N/A					
Winding Material:	Start (Auxiliary)	Cu					
	Run (Main)	Cu					
Capacitor(s):	Run (MFD / Volts)	12.5 MFD 370VAC					
	No. of Run Capacitors						

MEDIUM-HIGH SPEED

HP:							
Volts:							
HZ:							
Efficiency:	@ Rated Load						
Power Factor:	@ Rated Load						
Amps:	@ No Load						
	@ Rated Load						
	@ Locked Rotor						
Torques: Oz.Ft. / Lb.In. (Circle One)	Breakdown						
	Locked Rotor						
	Pull-Up						
	Rated Load						
Watts:	@ Rated Load						
Temperature Rise:	@ Rated Load						

DRAWING NO. PAGE 1 of 1
4UX63BG

REV.
-

Performance Data



4UX63BG

REV.

-

Dayton Manufacturing Company

Motor Description

Model: K055KRP732401
 Motor ID: 1/1
 Poles: 6
 Volts: 115
 Frequency: 60
 HP: 1/2
 Speed: 1075/2SPD
 Phase: 1
 Protector: 7AM036-A5

Test Conditions

Test Type: Start
 Test Number: 2
 Poles: 6
 Volts: 115
 Hz: 60
 Rotation:
 Special Cond:
 Speed Conn: HI
 TestBoard: Amtps Performance Fixture #4
 Run Cap: 0
 Start Cap: 0µfd
 Environment: 20.9 Deg C 20 % RH 995 hPa
 Tested: 12/17/2015 11:52:25 AM
 Tested By: Sharp, Gerald
 Gear Ratio: 1:1
 Bearing Friction: -0.93 Oz-Ft
 Windage Torque: -8.24 Oz-Ft

Special Points	Vline(V)	Iline(A)	Watts	RPM	Tq(Oz-ft)	HP	Eff(%)	PF(%)
	115.0	15.679	1214.2	3	13.02	0.000	0.0	67.3
	115.0	15.657	1210.7	11	11.18	0.002	0.1	67.2
PUT OZ-FT	115.0	15.656	1211.8	21	10.52	0.003	0.2	67.3
	115.0	15.618	1210.7	94	13.26	0.015	0.9	67.4
	115.0	15.493	1206.2	211	16.85	0.042	2.6	67.7
	115.0	15.312	1202.0	321	22.34	0.085	5.3	68.3
	115.0	15.121	1195.7	410	24.36	0.119	7.4	68.8
	115.0	14.891	1194.6	492	28.28	0.166	10.3	69.8
	115.0	14.586	1190.2	567	33.18	0.224	14.0	71.0
	115.0	14.217	1182.5	636	37.70	0.285	18.0	72.3
	115.0	13.823	1169.8	696	41.72	0.346	22.1	73.6
	115.0	13.388	1154.1	751	45.00	0.402	26.0	75.0
	115.0	12.905	1133.3	800	48.73	0.464	30.6	76.4
	115.0	12.396	1110.8	845	51.67	0.520	34.9	77.9
	115.0	11.854	1082.2	885	53.90	0.568	39.1	79.4
	115.0	11.278	1047.3	922	55.94	0.614	43.7	80.7
	115.0	10.696	1012.3	953	56.80	0.644	47.5	82.3
	115.0	10.252	982.0	975	57.31	0.665	50.5	83.3
	115.0	9.501	926.9	1008	56.92	0.683	55.0	84.8
	115.0	8.903	879.9	1031	55.91	0.687	58.2	85.9
	115.0	8.369	835.7	1049	54.46	0.680	60.7	86.8
	115.0	7.804	786.5	1066	52.46	0.666	63.2	87.6
1075 RPM	115.0	7.534	762.4	1075	51.32	0.657	64.3	88.0
	115.0	7.235	735.3	1083	49.89	0.643	65.2	88.4
	115.0	6.706	685.3	1097	46.93	0.613	66.7	88.9
	115.0	6.144	629.9	1111	43.30	0.572	67.8	89.1
	115.0	5.624	577.3	1123	39.43	0.527	68.1	89.3
0.5 HP	115.0	5.340	547.5	1130	37.16	0.500	68.1	89.2
	115.0	5.123	524.8	1135	35.32	0.477	67.9	89.1
	115.0	4.607	470.7	1147	30.77	0.420	66.6	88.8
	115.0	4.132	418.6	1157	25.97	0.358	63.7	88.1
	115.0	3.670	365.5	1167	20.73	0.288	58.8	86.6
	115.0	3.214	312.8	1177	15.18	0.213	50.7	84.6
	115.0	2.714	253.8	1185	8.74	0.123	36.2	81.3
	115.0	2.308	187.7	1194	1.55	0.022	8.8	70.7
	115.0	2.229	170.5	1197	0.00	0.000	0.0	66.5

DRAWING NO. PAGE 1 of 8 REV.
4UX63BG -

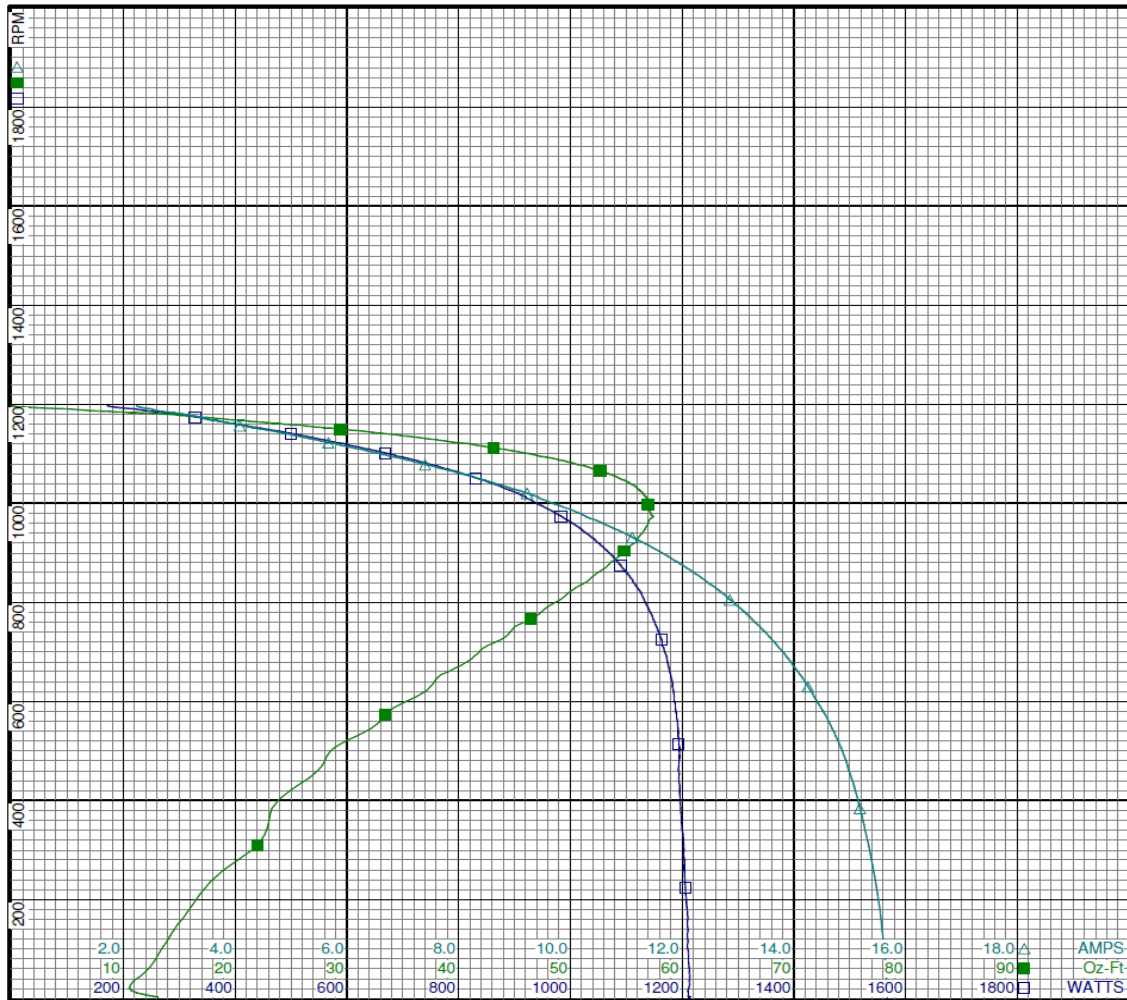
Dayton Electric Mfg. Co. Lake Forest, IL 60045 USA

Performance Data



4UX63BG

REV.
-



Curve Descriptions:

Motor(1) Test 2 Start 115V 60 Hz 6P HI

- SPEED vs WATTS
- SPEED vs TORQUE
- △ SPEED vs ILine

Motor Ratings:

(1) K055KRP732401 ID: 1/1

DRAWING NO.	PAGE 2 of 8	REV.
	4UX63BG	-

Dayton Electric Mfg. Co. Lake Forest, IL 60045 USA

Performance Data



4UX63BG

REV.

-

Dayton Manufacturing Company

Motor Description

Model: K055KRP732401
 Motor ID: 1/1
 Poles: 6
 Volts: 115
 Frequency: 60
 HP: 1/2
 Speed: 1075/2SPD
 Phase: 1
 Protector: 7AM036-A5

Test Conditions

Test Type: Run
 Test Number: 3
 Poles: 6
 Volts: 115
 Hz: 60
 Rotation:
 Special Cond:
 Speed Conn: HI
 TestBoard: Amtps Performance Fixture #4
 Run Cap: 0
 Start Cap: 0µfd
 Environment: 20.9 Deg C 20 % RH 995 hPa
 Tested: 12/17/2015 11:51:33 AM
 Tested By: Sharp, Gerald
 Gear Ratio: 1:1
 Bearing Friction: -0.38 Oz-Ft
 Windage Torque: -0.89 Oz-Ft

Special Points	Vline(V)	Iline(A)	Watts	RPM	Tq(Oz-ft)	HP	Eff(%)	PF(%)
	115.0	2.201	166.9	1191	0.00	0.000	0.0	65.9
	115.0	2.297	188.9	1181	2.38	0.033	13.2	71.5
	115.0	2.764	262.3	1181	10.26	0.144	41.0	82.5
	115.0	2.932	284.4	1175	12.70	0.178	46.6	84.3
	115.0	3.397	341.2	1164	18.96	0.263	57.4	87.3
	115.0	3.937	401.3	1158	24.82	0.342	63.6	88.6
	115.0	4.535	468.5	1145	31.18	0.425	67.6	89.8
	115.0	5.174	534.9	1132	36.87	0.497	69.3	89.9
0.5 HP	115.0	5.206	538.3	1131	37.13	0.500	69.3	89.9
	115.0	5.925	612.4	1114	42.82	0.568	69.2	89.9
	115.0	6.810	701.6	1091	48.85	0.634	67.4	89.6
1075 RPM	115.0	7.545	765.8	1075	51.99	0.665	64.8	88.3
	115.0	7.630	773.3	1071	52.24	0.666	64.2	88.1
	115.0	8.479	850.7	1045	55.92	0.695	61.0	87.2
	115.0	9.469	929.3	1007	57.86	0.694	55.7	85.3
BDT OZ-FT	115.0	9.860	959.4	992	58.19	0.687	53.4	84.6
	115.0	10.490	1004.6	965	57.94	0.665	49.4	83.3
	115.0	11.344	1058.7	920	56.40	0.618	43.5	81.2
	115.0	12.056	1098.8	876	53.80	0.561	38.1	79.3
	115.0	12.654	1128.8	829	50.82	0.502	33.1	77.6
	115.0	13.151	1150.5	783	47.64	0.444	28.8	76.1
	115.0	13.577	1166.7	736	44.34	0.388	24.8	74.7
	115.0	13.934	1179.5	689	41.09	0.337	21.3	73.6
	115.0	14.241	1187.2	642	38.05	0.291	18.3	72.5
	115.0	14.505	1194.6	594	34.94	0.247	15.4	71.6
	115.0	14.735	1198.3	544	31.61	0.205	12.7	70.7
	115.0	14.938	1200.2	492	27.85	0.163	10.1	69.9
	115.0	15.083	1200.7	441	26.02	0.137	8.5	69.2
	115.0	15.228	1200.5	384	23.00	0.105	6.5	68.6
	115.0	15.337	1206.1	327	21.72	0.085	5.2	68.4
	115.0	15.440	1209.2	266	18.54	0.059	3.6	68.1
	115.0	15.534	1211.4	201	17.55	0.042	2.6	67.8
	115.0	15.604	1212.5	134	14.53	0.023	1.4	67.6

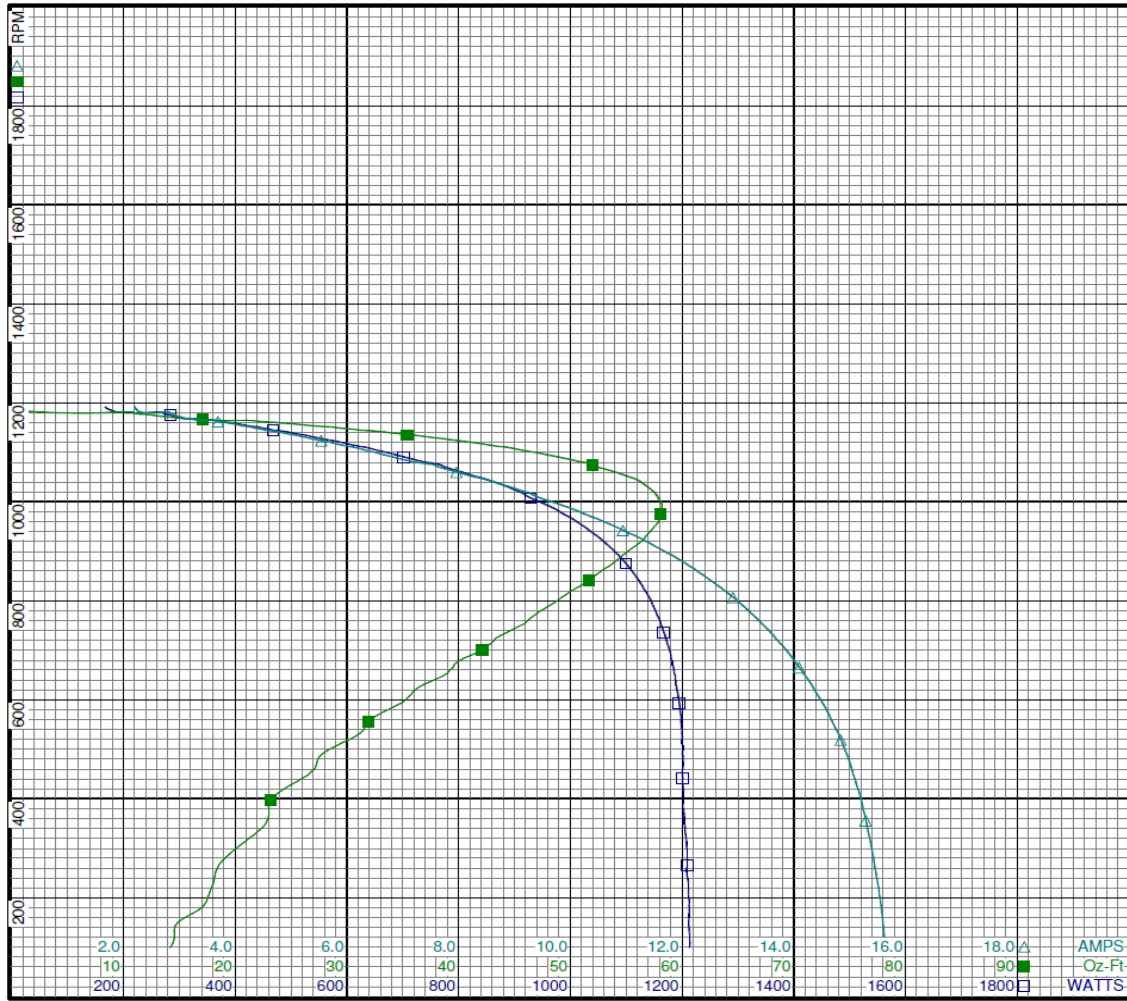
DRAWING NO. PAGE 3 of 8 REV.
4UX63BG -

Performance Data



4UX63BG

REV.
-



Curve Descriptions:

Motor(1) Test 3 Run 115V 60 Hz 6P HI

- SPEED vs WATTS
- SPEED vs TORQUE
- △ SPEED vs ILine

Motor Ratings:

(1) K055KRP732401 ID: 1/1

DRAWING NO.	PAGE 4 of 8	REV.
	4UX63BG	-

Dayton Electric Mfg. Co. Lake Forest, IL 60045 USA

Performance Data



4UX63BG

REV.

-

Dayton Manufacturing Company

Motor Description

Model: K055KRP732401
 Motor ID: 1/1
 Poles: 6
 Volts: 115
 Frequency: 60
 HP: 1/2
 Speed: 1075/2SPD
 Phase: 1
 Protector: 7AM036-A5

Test Conditions

Test Type: Start
 Test Number: 6
 Poles: 6
 Volts: 115
 Hz: 60
 Rotation:
 Special Cond:
 Speed Conn: LO
 TestBoard: Amtps Performance Fixture #4
 Run Cap: 0
 Start Cap: 0µfd
 Environment: 20.7 Deg C 19 % RH 995 hPa
 Tested: 12/17/2015 10:21:18 AM
 Tested By: Sharp, Gerald
 Gear Ratio: 1:1
 Bearing Friction: -0.86 Oz-Ft
 Windage Torque: -5.38 Oz-Ft

Special Points	Vline (V)	Iline (A)	Watts	RPM	Tq(Oz-ft)	HP	Eff (%)	PF (%)
	115.0	7.402	537.1	0	6.23	0.000	0.0	63.1
PUT OZ-FT	115.0	7.406	537.5	9	5.33	0.001	0.1	63.1
	115.0	7.406	537.5	9	5.33	0.001	0.1	63.1
	115.0	7.379	534.9	90	6.76	0.007	1.0	63.0
	115.0	7.321	533.0	193	7.75	0.018	2.5	63.3
	115.0	7.239	532.1	302	10.91	0.039	5.5	63.9
	115.0	7.155	529.8	391	10.97	0.051	7.2	64.4
	115.0	7.077	531.0	473	13.21	0.074	10.4	65.3
	115.0	6.962	533.8	546	15.35	0.100	13.9	66.7
	115.0	6.816	533.9	613	17.56	0.128	17.9	68.1
	115.0	6.643	531.2	674	19.48	0.156	22.0	69.5
	115.0	6.449	527.1	731	21.28	0.185	26.2	71.1
	115.0	6.242	521.8	781	22.70	0.211	30.2	72.7
	115.0	6.014	513.5	826	24.37	0.240	34.8	74.3
	115.0	5.760	503.4	869	25.72	0.266	39.4	76.0
	115.0	5.487	490.6	907	26.71	0.288	43.9	77.7
	115.0	5.205	475.3	941	27.46	0.308	48.3	79.4
	115.0	4.906	457.7	974	27.85	0.323	52.6	81.1
	115.0	4.626	440.2	1001	27.79	0.331	56.1	82.8
	115.0	4.308	417.5	1027	27.37	0.335	59.8	84.3
	115.0	3.989	393.2	1049	26.61	0.332	63.1	85.7
	115.0	3.667	366.7	1070	25.33	0.323	65.6	87.0
1075 RPM	115.0	3.587	360.2	1075	25.03	0.320	66.4	87.3
	115.0	3.355	339.9	1088	23.78	0.308	67.6	88.1
	115.0	3.037	311.0	1105	21.89	0.288	69.1	89.1
	115.0	2.730	281.8	1121	19.67	0.262	69.5	89.8
	115.0	2.436	252.6	1135	17.25	0.233	68.8	90.2
	115.0	2.137	222.2	1148	14.58	0.199	66.9	90.4
	115.0	1.871	194.7	1160	11.75	0.162	62.1	90.5
	115.0	1.632	169.7	1171	8.88	0.124	54.4	90.4
	115.0	1.362	146.0	1184	5.61	0.079	40.4	93.2
	115.0	0.978	105.2	1191	1.03	0.015	10.4	93.5
	115.0	0.913	97.1	1194	0.00	0.000	0.0	92.5

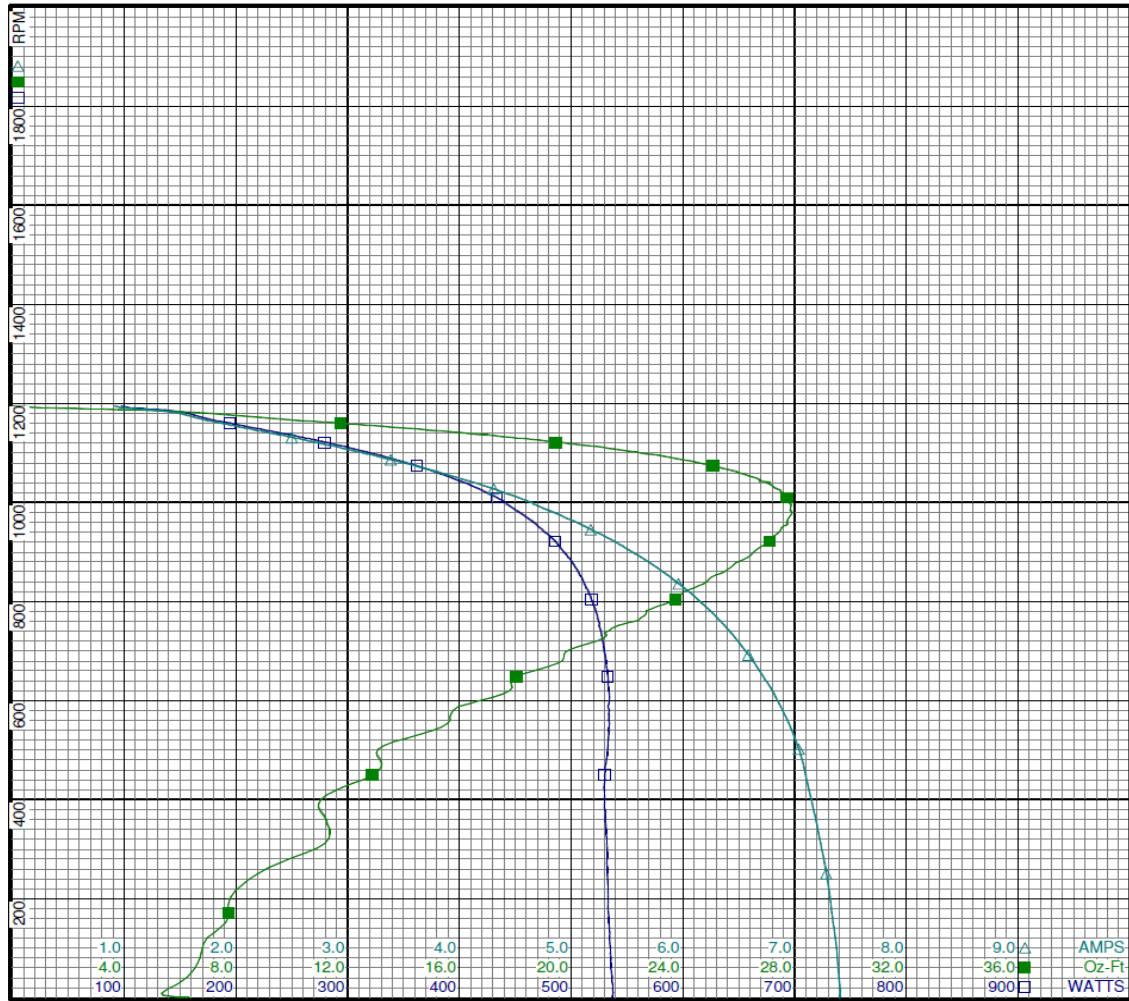
DRAWING NO. PAGE 5 of 8 REV.
 4UX63BG -

Performance Data



4UX63BG

REV.
-



Curve Descriptions:
 Motor(1) Test 6 Start 115V 60 Hz 6P
 LO
 □ SPEED vs WATTS
 ■ SPEED vs TORQUE
 △ SPEED vs ILine

Motor Ratings:
 (1) K055KRP732401 ID: 1/1

1.0	2.0	3.0	4.0	5.0	6.0	7.0	8.0	9.0	AMPS
4.0	8.0	12.0	16.0	20.0	24.0	28.0	32.0	36.0	Oz-Ft
100	200	300	400	500	600	700	800	900	WATTS

DRAWING NO.	PAGE 6 of 8	REV.
	4UX63BG	-

Performance Data



4UX63BG

REV.

-

Dayton Manufacturing Company

Motor Description

Model: K055KRP732401
 Motor ID: 1/1
 Poles: 6
 Volts: 115
 Frequency: 60
 HP: 1/2
 Speed: 1075/2SPD
 Phase: 1
 Protector: 7AM036-A5

Test Conditions

Test Type: Run
 Test Number: 7
 Poles: 6
 Volts: 115
 Hz: 60
 Rotation:
 Special Cond:
 Speed Conn: LO
 TestBoard: Amtps Performance Fixture #4
 Run Cap: 0
 Start Cap: 0µfd
 Environment: 20.7 Deg C 19 % RH 995 hPa
 Tested: 12/17/2015 10:20:25 AM
 Tested By: Sharp, Gerald
 Gear Ratio: 1:1
 Bearing Friction: -0.73 Oz-Ft
 Windage Torque: -1.41 Oz-Ft

Special Points	Vline(V)	Iline(A)	Watts	RPM	Tq(Oz-ft)	HP	Eff(%)	PF(%)
	115.0	0.897	95.4	1189	0.00	0.000	0.0	92.5
	115.0	1.077	117.2	1180	2.37	0.033	21.2	94.6
	115.0	1.354	147.6	1170	6.07	0.085	42.7	94.8
	115.0	1.664	178.1	1165	9.69	0.134	56.3	93.1
	115.0	1.961	208.5	1152	13.10	0.180	64.3	92.5
	115.0	2.286	240.4	1138	16.19	0.219	68.1	91.5
	115.0	2.640	275.7	1122	19.20	0.256	69.4	90.8
	115.0	3.008	310.8	1103	21.96	0.288	69.2	89.8
	115.0	3.388	345.3	1082	24.29	0.313	67.6	88.6
1075 RPM	115.0	3.498	355.0	1075	24.91	0.319	67.0	88.3
	115.0	3.784	379.9	1059	26.25	0.331	65.0	87.3
	115.0	4.217	414.0	1032	27.56	0.338	61.0	85.4
	115.0	4.599	441.7	1003	28.16	0.336	56.8	83.5
BDT OZ-FT	115.0	4.845	457.4	979	28.23	0.329	53.7	82.1
	115.0	4.933	463.2	971	28.19	0.326	52.5	81.7
	115.0	5.256	481.7	936	27.47	0.306	47.4	79.7
	115.0	5.543	496.4	902	26.77	0.287	43.2	77.9
	115.0	5.800	508.1	864	25.71	0.265	38.8	76.2
	115.0	6.026	516.5	826	24.47	0.241	34.8	74.5
	115.0	6.222	523.3	788	23.16	0.217	31.0	73.1
	115.0	6.400	528.6	747	21.76	0.193	27.3	71.8
	115.0	6.558	532.0	704	20.55	0.172	24.2	70.5
	115.0	6.694	533.8	660	18.80	0.148	20.6	69.3
	115.0	6.819	534.8	613	16.91	0.123	17.2	68.2
	115.0	6.930	535.4	563	14.97	0.100	14.0	67.2
	115.0	7.024	534.7	513	13.78	0.084	11.7	66.2
	115.0	7.105	533.2	459	12.76	0.070	9.7	65.3
	115.0	7.152	530.1	402	10.49	0.050	7.1	64.4
	115.0	7.203	530.9	344	11.10	0.045	6.4	64.1
	115.0	7.258	531.8	281	8.60	0.029	4.0	63.7
	115.0	7.303	533.3	220	8.63	0.023	3.2	63.5
	115.0	7.360	535.8	147	7.94	0.014	1.9	63.3

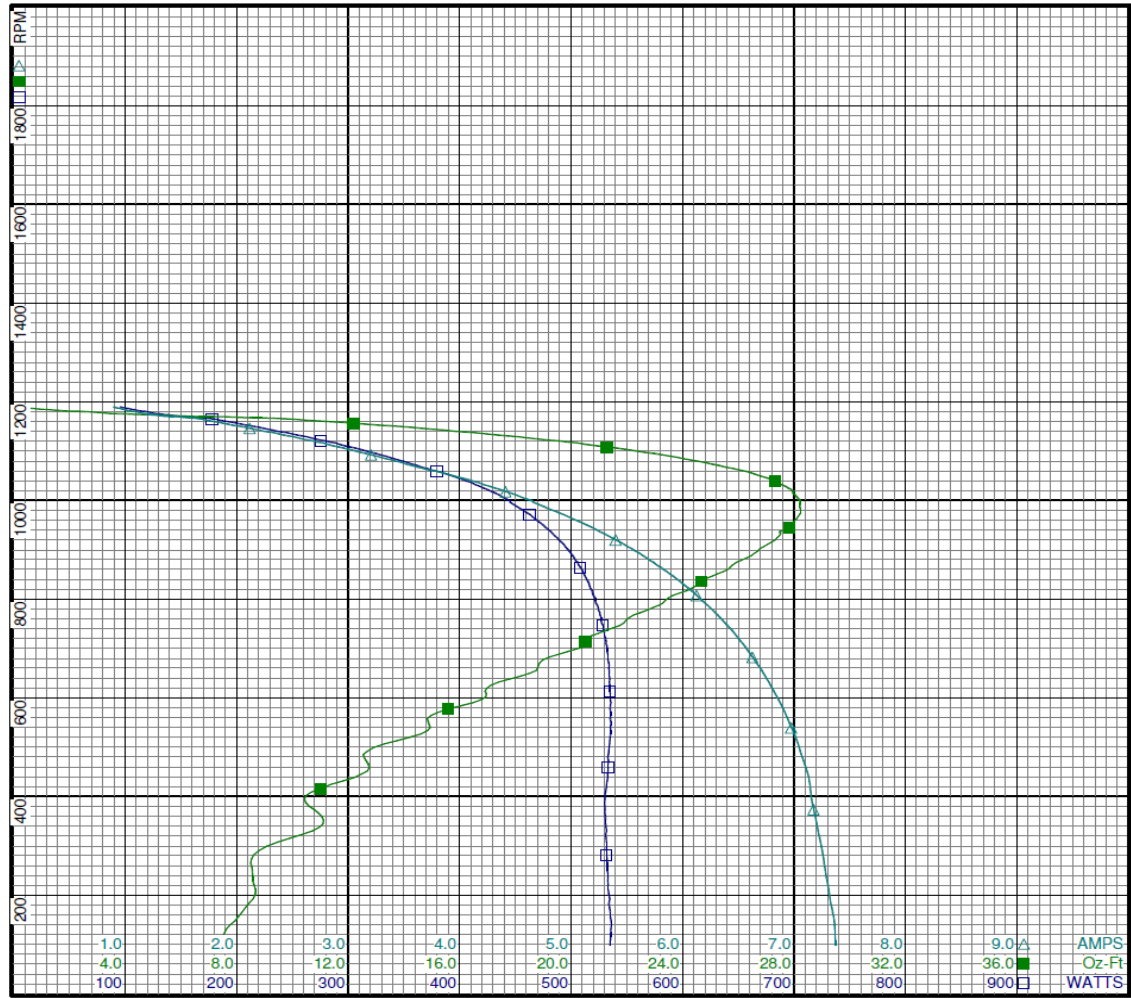
DRAWING NO. PAGE 7 of 8 REV.
4UX63BG -

Performance Data



4UX63BG

REV.
-



Curve Descriptions:
 Motor(1) Test 7 Run 115V 60 Hz 6P
 LO
 □ SPEED vs WATTS
 ■ SPEED vs TORQUE
 △ SPEED vs IL

Motor Ratings:
 (1) K055KRP732401 ID: 1/1

1.0 2.0 3.0 4.0 5.0 6.0 7.0 8.0 9.0 AMPS
 4.0 8.0 12.0 16.0 20.0 24.0 28.0 32.0 36.0 Oz-Ft
 100 200 300 400 500 600 700 800 900 WATTS

DRAWING NO. PAGE 8 of 8 REV.
 4UX63BG -

4UX63BG

REV.
-

CONNECTIONS

BLACK (1)



115 VOLT
LINE

WHITE (C)



PULL SWITCH
FOR HIGH-LOW-OFF
OPERATION

MOTOR IS NON-REVERSIBLE
CCW ROTATION FACING LEAD END

DRAWING NO. PAGE 1 of 1
4UX63BG

REV.
-

Dayton®

PEDESTAL FAN MOTOR

HP: 1/2

VOLTS: 115

AMPS: 5.8

RPM: 1075/2 SPD

DUTY: CONT

SF: 1.0

KVA CODE:

ENCL: TEAO

THERMALLY PROTECTED: AUTO

MFG. NO. PROT. CODE:

MTR REF: K55HXKRP-2381

Part
No 4UX63BG

PH: 1

HZ: 60

FR: 48YZ

INS CL: B

AMB: 40 °C

SFA:

AVG. F.L.
EFF.Disconnect Power Before Making Any
Electrical Connections or Changes

Mfd for Dayton Electric Mfg. Co., Lake Forest, IL 60045 USA

 Made in Mexico