



4PB81

3-3/4" Tarp Rope Hook, Zinc Plated Finish with Screws

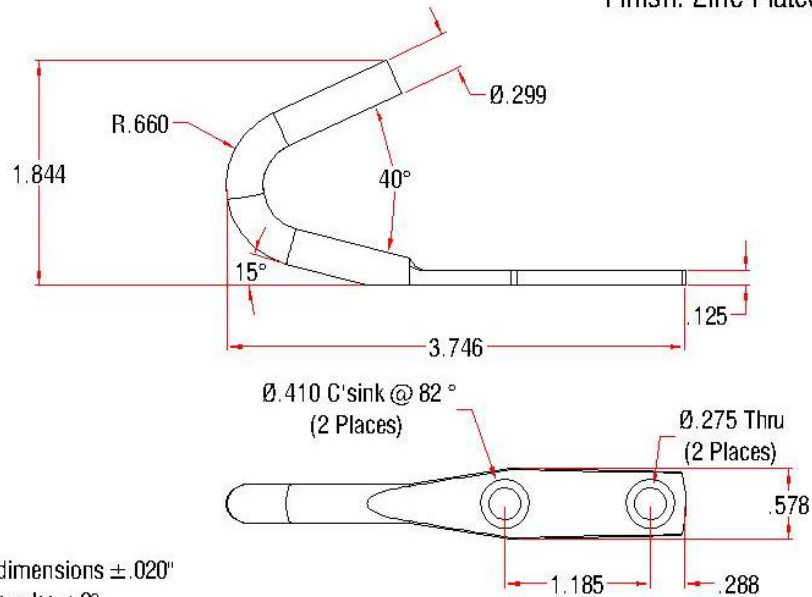
Maximum Non-Moving Load Capacity: 100 lbs. per Hook

Hardware Included:

Phillips Pan Head Sheet Metal Screw 2 – 10x1¼"



Material: Steel
Finish: Zinc Plated



Notes:

- 1) Unless noted all dimensions $\pm .020$ "
- 2) Unless noted all angles $\pm 2^\circ$
- 3) Material Thickness $\pm .008$ "