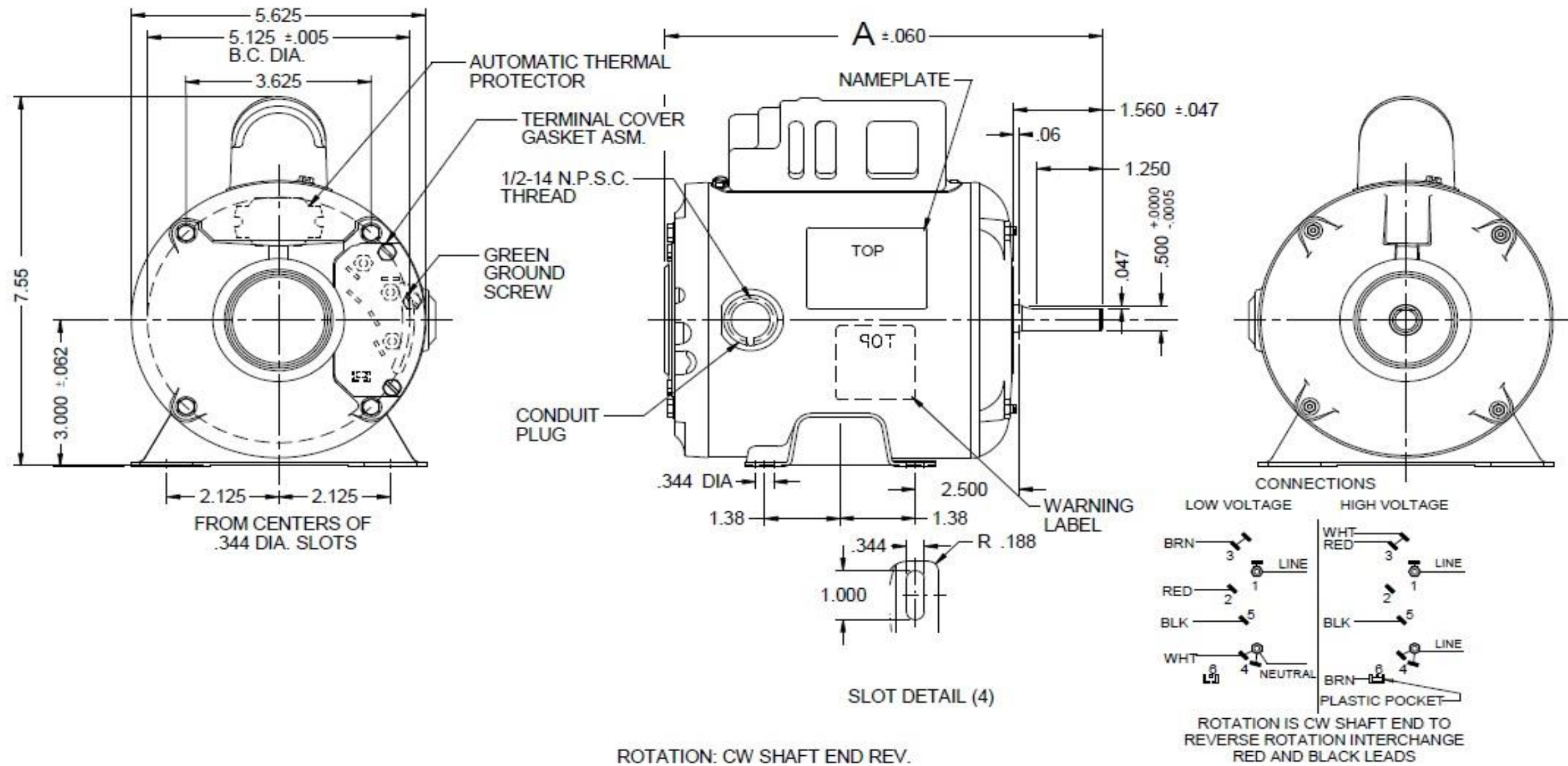


# Dimensional Drawing



**4K055BG**      REV. -

VAR	MODEL	CUST. PT. NO.	A	B	C	D	HP	VOLTS	SF	AMPS	HZ	RPM	CONN VOLTS	PROT.	DESCRIPTION / REMARKS
001	C55KZFDS-2147	4K055BG	9.58	---	---	---	1/2	115/230	1.0	8.0/4.0	60	3450	---	AUTO	48, TEAO, GREEN



DRAWING NO. PAGE 1 of 1 REV.  
**4K055BG** -

**Dayton Electric Mfg. Co. Lake Forest, IL 60045 USA**

# Performance Data



**4K055BG**

REV.  
-

## MOTOR PERFORMANCE

<b>HP:</b>	1/2						
<b>Poles:</b>	2						
<b>Ambient (°C)</b>	50						
<b>Altitude (FASL):</b>							
<b>No. of Speeds:</b>	1						
<b>Volts:</b>	115/230	<b>115</b>	<b>230</b>				
<b>HZ:</b>	60	<b>60</b>	<b>60</b>				
<b>Service Factor:</b>	1						
<b>Efficiency:</b>	@ Rated Load	59.90	59.7				
<b>Power Factor:</b>	@ Rated Load	69.3	69.1				
<b>Amps:</b>	@ No Load						
	@ Rated Load	8	4				
	@ Service Factor	8	4				
	@ Locked Rotor	42.4	22				
<b>RPM:</b>	@ Rated Load	3522					
<b>Torques:</b> <b>Oz.Ft. / Lb.In.</b> (Circle One)	Breakdown	38.9	39				
	Locked Rotor	24.7	25.1				
	Pull-Up	24.7	23.8				
	Rated Load	12.2	12.2				
	Service Factor	12.2	12.2				
<b>Watts:</b>	@ Rated Load	635	638				
<b>KVA Code:</b>							
<b>Temperature Rise:</b>	@ Rated Load	N/A	N/A				
	@ Service Factor	N/A	N/A				
<b>Thermal Protector:</b>	Trip Temp (°C)	N/A	N/A				
<b>Winding Material:</b>	Start (Auxiliary)	CU					
	Run (Main)	CU					
<b>Capacitor(s):</b>	Start (MFD / Volts)		198 / 165				
	No. of Start Capacitors						
	Run (MFD / Volts)		N/A				
	No. of Run Capacitors						

### LOW SPEED PERFORMANCE DATA:

<b>HP:</b>							
<b>Poles:</b>							
<b>Volts:</b>							
<b>HZ:</b>							
<b>Efficiency:</b>	@ Rated Load						
<b>Power Factor:</b>	@ Rated Load						
<b>Amps:</b>	@ No Load						
	@ Rated Load						
	@ Service Factor						
	@ Locked Rotor						
<b>Torques:</b> <b>Oz.Ft. / Lb.In.</b> (Circle One)	Breakdown						
	Locked Rotor						
	Pull-Up						
	Rated Load						
	Service Factor						
<b>Watts:</b>	@ Rated Load						
<b>Temperature Rise:</b>	@ Rated Load						
	@ Service Factor						

DRAWING NO. PAGE 1 of 1 REV.  
4K055BG -

# Performance Data



<b>4K055BG</b>	REV. -
----------------	-----------

## Dayton Manufacturing Company

### Motor Description

Model: C055FDS2147 4K055BG  
 Motor ID:  
 Poles: 2  
 Volts: 115/230  
 Frequency: 60  
 HP: 1/2  
 Speed: 3450  
 Phase: 1  
 Protector: MEJ30AX

### Test Conditions

Test Type: Start  
 Test Number: 15  
 Poles: 2  
 Volts: 115  
 Hz: 60  
 Rotation: CCW  
 Special Cond:  
 Speed Conn:  
 TestBoard: Amtps Performance Fixture #3  
 Run Cap: 0  
 Start Cap: 198µfd  
 Environment:  
 Tested: 11/3/2015 12:02:24 PM  
 Tested By: Sharp, Gerald  
 Gear Ratio: 1:1  
 Bearing Friction: -0.64 Oz-Ft  
 Windage Torque: -2.29 Oz-Ft

Special Points PUT OZ-FT	Vline(V)	Vaux(V)	Vcap(V)	Iline(A)	Imain(A)	Iaux(A)	Watts	RPM	Tq(Oz-ft)	HP	Eff(%)	PF(%)	Cap
	115.0	71.9	122.7	42.43	42.54	9.546	4050	0	24.69	0.000	0.0	83.0	206.4
	115.0	71.9	122.7	42.43	42.54	9.546	4050	0	24.69	0.000	0.0	83.0	206.4
	115.0	72.0	122.5	42.42	42.48	9.520	4048	50	25.11	0.015	0.3	83.0	206.1
	115.0	74.1	120.6	42.42	42.28	9.382	4055	306	26.35	0.096	1.8	83.1	206.3
	115.0	76.0	118.7	42.28	41.86	9.232	4051	597	27.83	0.198	3.6	83.3	206.2
	115.0	77.7	117.2	42.06	41.38	9.112	4050	864	29.38	0.302	5.6	83.7	206.3
	115.0	79.9	115.1	41.81	40.82	8.947	4050	1105	31.94	0.420	7.7	84.2	206.1
	115.0	82.6	113.6	41.46	40.15	8.824	4047	1325	34.77	0.548	10.1	84.9	206.1
	115.0	85.0	112.0	41.11	39.44	8.692	4041	1525	37.48	0.681	12.6	85.5	205.8
	115.0	87.9	110.4	40.71	38.66	8.570	4035	1711	40.51	0.825	15.3	86.2	206.0
	115.0	91.2	109.1	40.26	37.80	8.453	4025	1886	43.30	0.972	18.0	86.9	205.5
	115.0	94.9	107.8	39.75	36.86	8.363	4017	2048	46.16	1.125	20.9	87.9	205.7
	115.0	98.5	106.7	39.23	35.91	8.279	4004	2191	49.39	1.288	24.0	88.8	205.7
	115.0	102.6	106.0	38.68	34.88	8.210	3987	2324	51.84	1.434	26.8	89.6	205.4
	115.0	106.7	105.5	38.10	33.82	8.164	3967	2443	53.93	1.569	29.5	90.5	205.3
	115.0	111.7	105.5	37.45	32.66	8.169	3941	2558	56.70	1.727	32.7	91.5	205.4
	115.0	116.9	105.6	36.78	31.43	8.181	3913	2665	58.82	1.866	35.6	92.5	205.4
	115.0	122.6	106.6	36.09	30.16	8.246	3880	2762	60.71	1.997	38.4	93.5	205.2
	115.0	128.5	107.9	35.33	28.81	8.358	3840	2852	62.27	2.114	41.1	94.5	205.5
	115.0	134.8	109.9	34.58	27.46	8.519	3796	2934	63.29	2.211	43.4	95.5	205.6
	115.0	141.2	112.4	33.80	26.07	8.740	3745	3010	63.74	2.284	45.5	96.3	206.2
	115.0	148.0	115.7	32.99	24.64	9.017	3691	3078	63.50	2.327	47.0	97.3	206.7
	115.0	155.0	119.7	32.14	23.21	9.346	3623	3141	62.26	2.328	47.9	98.0	207.2
	115.0	159.5	124.4	30.91	21.44	9.742	3513	3198	59.29	2.258	47.9	98.8	207.7
	115.0	166.8	129.7	29.95	19.85	10.183	3421	3252	56.80	2.199	47.9	99.3	208.2
	115.0	173.9	135.5	28.95	18.28	10.662	3322	3301	53.78	2.113	47.4	99.8	208.7
	115.0	181.0	141.8	27.91	16.68	11.191	3210	3347	49.86	1.987	46.2	100.0	209.4
	115.0	188.0	148.5	26.77	15.01	11.768	3084	3389	44.81	1.808	43.7	100.2	210.2
	115.0	194.7	155.6	25.51	13.23	12.339	2940	3430	38.60	1.576	40.0	100.2	210.3
	115.0	201.6	163.2	24.23	11.45	13.013	2792	3468	31.03	1.281	34.2	100.2	211.5
	115.0	207.3	170.8	22.63	9.31	13.701	2602	3506	22.35	0.933	26.7	100.0	212.8
	115.0	213.1	178.6	20.82	7.14	14.423	2388	3542	12.05	0.508	15.9	99.7	214.2
	115.0	218.5	186.5	18.96	5.16	15.155	2167	3579	1.10	0.047	1.6	99.4	215.6
	115.0	219.1	187.4	18.64	4.93	15.266	2127	3586	0.00	0.000	0.0	99.2	216.1

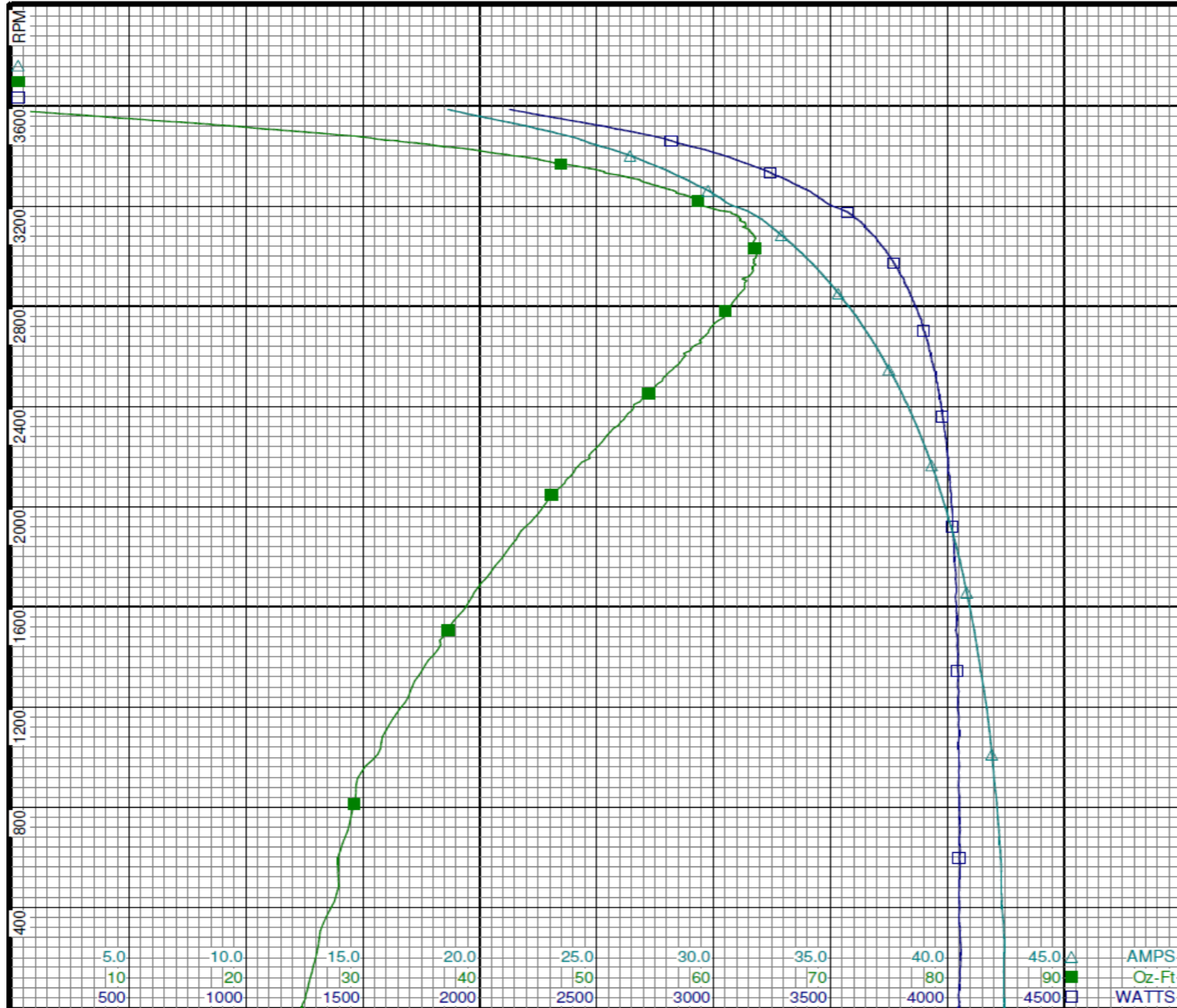
DRAWING NO.	PAGE 1 of 8	REV.
	4K055BG	-

**Dayton Electric Mfg. Co. Lake Forest, IL 60045 USA**

# Performance Data



**4K055BG**      REV.  
-



**Curve Descriptions:**  
 Motor(1) Test 15 Start 115V 60 Hz 2P  
 CCW 198ufd Run  
 □ SPEED vs WATTS  
 ■ SPEED vs TORQUE  
 △ SPEED vs ILine

**Motor Ratings:**  
 (1) C055FDS2147      4K055BG

DRAWING NO.	PAGE 2 of 8	REV.
4K055BG		-

**Dayton Electric Mfg. Co. Lake Forest, IL 60045 USA**

# Performance Data



**4K055BG**

REV.

-

## Dayton Manufacturing Company

### Motor Description

Model: C055FDS2147 4K055BG  
 Motor ID:  
 Poles: 2  
 Volts: 115/230  
 Frequency: 60  
 HP: 1/2  
 Speed: 3450  
 Phase: 1  
 Protector: MEJ30AX

### Test Conditions

Test Type: Run Run Cap: 0  
 Test Number: 13 Start Cap: 198µfd  
 Poles: 2 Environment:  
 Volts: 115 Tested: 11/3/2015 12:01:02 PM  
 Hz: 60 Tested By: Sharp, Gerald  
 Rotation: CCW Gear Ratio: 1:1  
 Special Cond: Bearing Friction: -0.65 Oz-Ft  
 Speed Conn: Windage Torque: -2.36 Oz-Ft  
 TestBoard: Amtps Performance Fixture #3

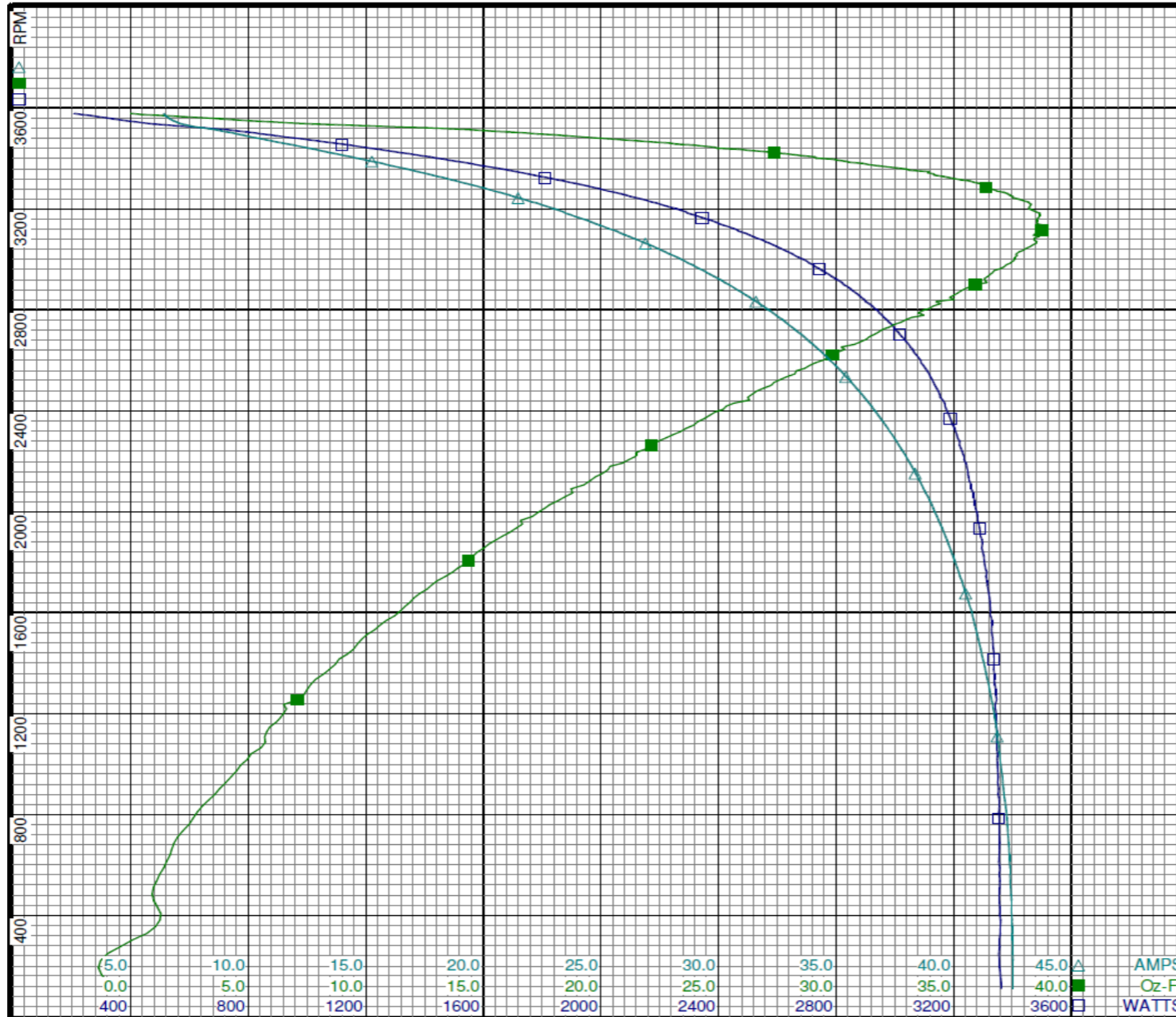
Special Points	Vline(V)	Iline(A)	Watts	RPM	Tq(Oz-ft)	HP	Eff (%)	PF (%)
	115.0	6.40	206	3578	0.00	0.000	0.0	28.0
	115.0	7.15	476	3536	7.74	0.326	51.0	57.9
<b>12.17 OZ-FT</b>	<b>115.0</b>	<b>7.96</b>	<b>635</b>	<b>3522</b>	<b>12.17</b>	<b>0.510</b>	<b>59.9</b>	<b>69.3</b>
<b>0.5 HP</b>	<b>115.0</b>	<b>7.90</b>	<b>625</b>	<b>3523</b>	<b>11.92</b>	<b>0.500</b>	<b>59.6</b>	<b>68.8</b>
	115.0	9.50	845	3497	17.31	0.721	63.6	77.3
	115.0	11.68	1119	3457	23.19	0.954	63.6	83.3
<b>3450 RPM</b>	<b>115.0</b>	<b>12.07</b>	<b>1160</b>	<b>3450</b>	<b>24.21</b>	<b>0.994</b>	<b>64.0</b>	<b>83.6</b>
	115.0	13.93	1368	3414	28.24	1.148	62.6	85.4
	115.0	16.09	1597	3370	31.81	1.276	59.6	86.3
	115.0	18.23	1811	3324	34.74	1.375	56.6	86.4
	115.0	20.29	2010	3275	36.75	1.433	53.2	86.2
	115.0	22.26	2188	3223	38.21	1.466	50.0	85.5
	115.0	24.05	2345	3165	38.61	1.454	46.3	84.8
<b>BDT OZ-FT</b>	<b>115.0</b>	<b>25.29</b>	<b>2451</b>	<b>3122</b>	<b>38.88</b>	<b>1.445</b>	<b>44.0</b>	<b>84.3</b>
	115.0	25.85	2492	3103	38.49	1.422	42.6	83.8
	115.0	27.56	2624	3036	37.97	1.372	39.0	82.8
	115.0	29.19	2743	2962	36.96	1.303	35.4	81.7
	115.0	30.73	2850	2883	35.47	1.217	31.9	80.6
	115.0	32.16	2941	2797	33.70	1.122	28.5	79.5
	115.0	33.50	3016	2703	31.66	1.019	25.2	78.3
	115.0	34.73	3088	2600	29.44	0.911	22.0	77.3
	115.0	35.86	3142	2489	26.91	0.797	18.9	76.2
	115.0	36.90	3189	2368	24.39	0.688	16.1	75.2
	115.0	37.87	3230	2234	21.49	0.572	13.2	74.2
	115.0	38.72	3260	2090	18.73	0.466	10.7	73.2
	115.0	39.51	3289	1934	16.39	0.377	8.6	72.4
	115.0	40.16	3308	1775	13.89	0.294	6.6	71.6
	115.0	40.76	3326	1605	11.46	0.219	4.9	71.0
	115.0	41.24	3338	1414	8.85	0.149	3.3	70.4
	115.0	41.68	3343	1217	6.61	0.096	2.1	69.7
	115.0	41.98	3348	1017	4.95	0.060	1.3	69.4
	115.0	42.26	3354	784	2.65	0.025	0.5	69.0
	115.0	42.41	3358	536	1.10	0.007	0.2	68.8
	115.0	42.51	3356	275	-0.47	-0.002	0.0	68.6

DRAWING NO.	PAGE 3 of 8	REV.
	4K055BG	-

# Performance Data



**4K055BG**      REV. -



**Curve Descriptions:**  
 Motor(1) Test 13 Run 115V 60 Hz 2P  
 CCW 198ufd Run  
 □ SPEED vs WATTS  
 ■ SPEED vs TORQUE  
 △ SPEED vs ILine

**Motor Ratings:**  
 (1) C055FDS2147      4K055BG

DRAWING NO.	PAGE 4 of 8	REV.
4K055BG		-

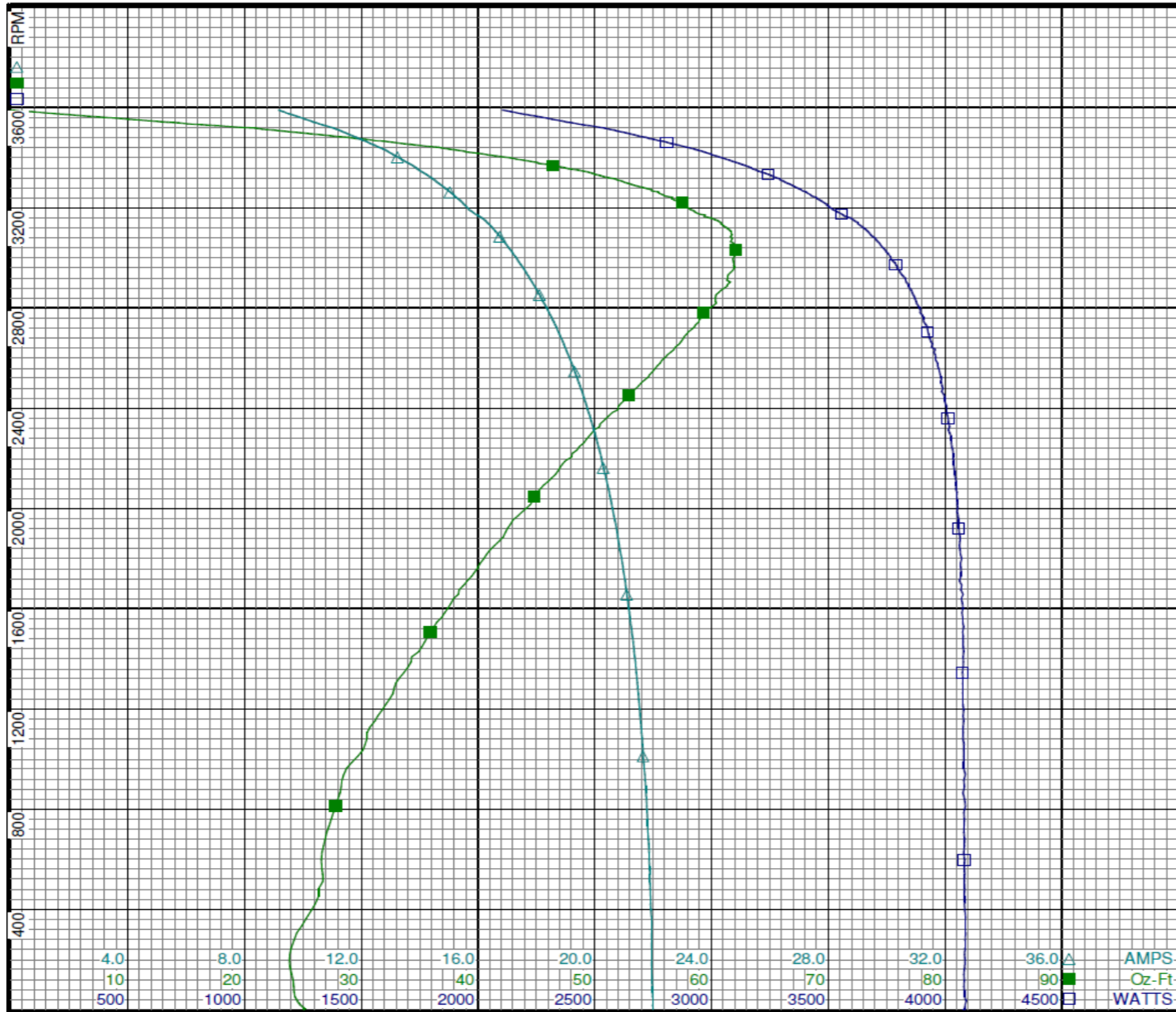
**Dayton Electric Mfg. Co. Lake Forest, IL 60045 USA**



# Performance Data



**4K055BG**      REV.  
-



**Curve Descriptions:**  
 Motor(1) Test 16 Start 230V 60 Hz 2P  
 CCW 198ufd Run  
 □ SPEED vs WATTS  
 ■ SPEED vs TORQUE  
 △ SPEED vs IL

**Motor Ratings:**  
 (1) C055FDS2147      4K055BG

DRAWING NO.	PAGE 6 of 8	REV.
4K055BG		-

**Dayton Electric Mfg. Co. Lake Forest, IL 60045 USA**



# Performance Data



**4K055BG**

REV.

-

## Dayton Manufacturing Company

### Motor Description

Model: C055FDS2147 4K055BG  
 Motor ID:  
 Poles: 2  
 Volts: 115/230  
 Frequency: 60  
 HP: 1/2  
 Speed: 3450  
 Phase: 1  
 Protector: MEJ30AX

### Test Conditions

Test Type: Run Run Cap: 0  
 Test Number: 14 Start Cap: 198µfd  
 Poles: 2 Environment:  
 Volts: 230 Tested: 11/3/2015 9:53:45 AM  
 Hz: 60 Tested By: Sharp, Gerald  
 Rotation: CCW Gear Ratio: 1:1  
 Special Cond: Bearing Friction: -0.46 Oz-Ft  
 Speed Conn: Windage Torque: -2.26 Oz-Ft  
 TestBoard: Amtps Performance Fixture #3

Special Points	Vline(V)	Iline(A)	Watts	RPM	Tq(Oz-ft)	HP	Eff(%)	PF(%)
	230.0	3.18	192	3582	0.00	0.000	0.0	26.2
	230.0	3.58	478	3541	7.70	0.324	50.7	57.9
<b>0.5 HP</b>	<b>230.0</b>	<b>3.98</b>	<b>628</b>	<b>3522</b>	<b>11.93</b>	<b>0.500</b>	<b>59.4</b>	<b>68.5</b>
<b>12.17 OZ-FT</b>	<b>230.0</b>	<b>4.01</b>	<b>638</b>	<b>3521</b>	<b>12.17</b>	<b>0.510</b>	<b>59.7</b>	<b>69.1</b>
	230.0	4.57	804	3501	16.49	0.687	63.8	76.5
	230.0	5.72	1087	3460	22.84	0.941	64.6	82.6
<b>3450 RPM</b>	<b>230.0</b>	<b>6.01</b>	<b>1154</b>	<b>3450</b>	<b>24.07</b>	<b>0.988</b>	<b>63.9</b>	<b>83.5</b>
	230.0	6.78	1328	3418	27.55	1.121	63.0	85.1
	230.0	7.87	1559	3375	31.41	1.262	60.4	86.2
	230.0	8.85	1763	3329	34.32	1.360	57.6	86.6
	230.0	9.95	1972	3280	36.46	1.424	53.8	86.2
	230.0	10.99	2160	3227	37.94	1.458	50.3	85.5
	230.0	11.96	2327	3171	38.64	1.459	46.8	84.6
<b>BDT OZ-FT</b>	<b>230.0</b>	<b>12.87</b>	<b>2473</b>	<b>3110</b>	<b>39.00</b>	<b>1.444</b>	<b>43.6</b>	<b>83.5</b>
	230.0	12.87	2473	3110	39.00	1.444	43.6	83.5
	230.0	13.75	2610	3043	38.12	1.381	39.5	82.6
	230.0	14.57	2732	2971	37.23	1.317	35.9	81.5
	230.0	15.35	2837	2891	35.96	1.238	32.5	80.3
	230.0	16.08	2933	2805	34.05	1.137	28.9	79.3
	230.0	16.76	3010	2713	32.06	1.035	25.7	78.1
	230.0	17.39	3080	2611	29.92	0.930	22.5	77.0
	230.0	17.97	3138	2501	27.43	0.816	19.4	75.9
	230.0	18.50	3188	2380	24.91	0.706	16.5	74.9
	230.0	18.98	3227	2251	22.38	0.600	13.9	73.9
	230.0	19.43	3260	2104	19.58	0.490	11.2	72.9
	230.0	19.83	3292	1949	16.86	0.391	8.9	72.2
	230.0	20.15	3308	1793	14.46	0.309	7.0	71.4
	230.0	20.46	3326	1623	11.96	0.231	5.2	70.7
	230.0	20.72	3338	1436	9.57	0.164	3.7	70.0
	230.0	20.94	3344	1244	7.29	0.108	2.4	69.4
	230.0	21.10	3350	1039	5.43	0.067	1.5	69.0
	230.0	21.25	3357	806	3.29	0.032	0.7	68.7
	230.0	21.33	3356	560	1.52	0.010	0.2	68.4
	230.0	21.38	3364	300	-0.17	-0.001	0.0	68.4

DRAWING NO. PAGE 7 of 8 REV.  
 4K055BG -

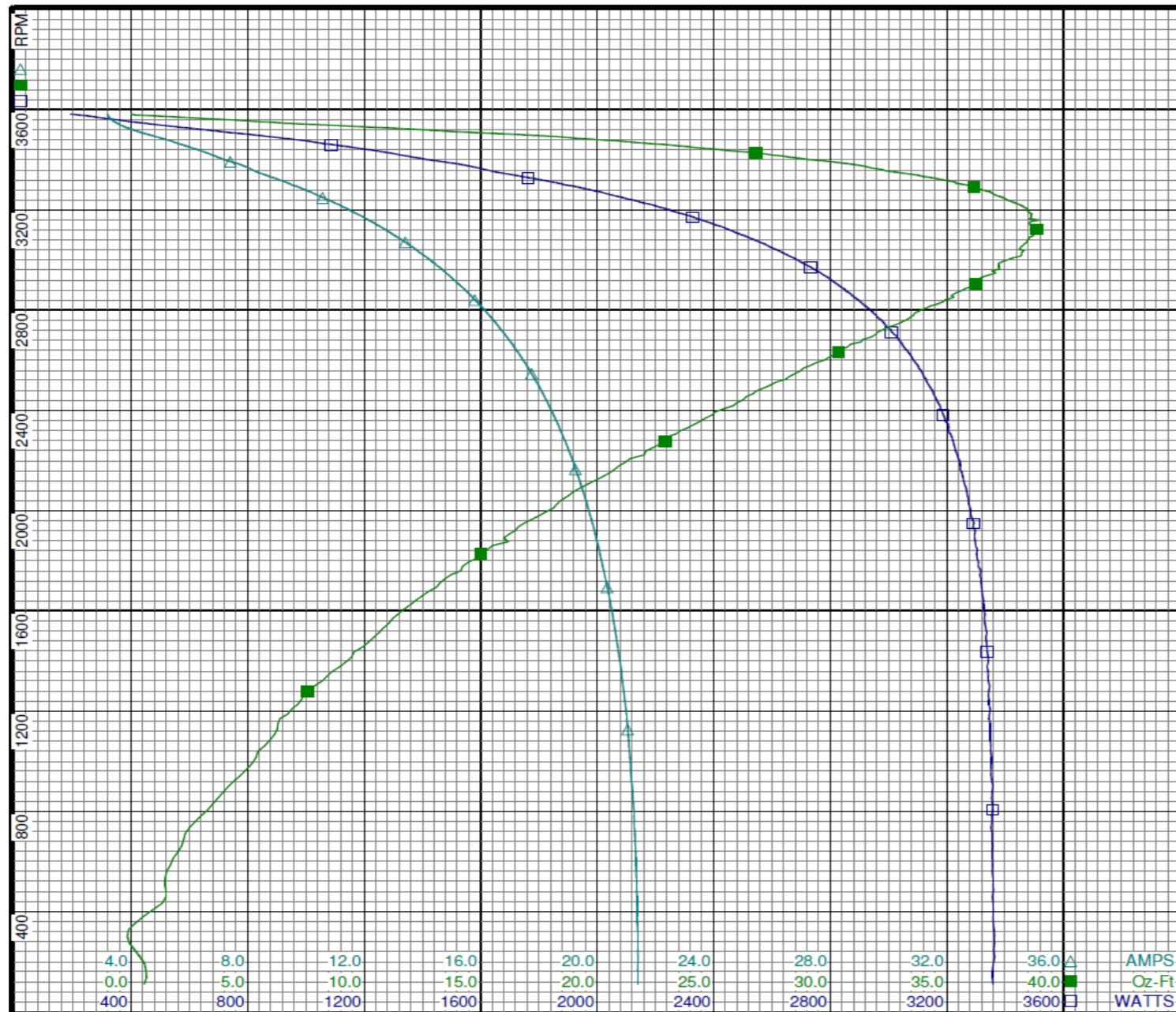
# Performance Data



4K055BG

REV.

-



**Curve Descriptions:**

Motor(1) Test 14 Run 230V 60 Hz 2P  
CCW 198ufd Run

- SPEED vs WATTS
- SPEED vs TORQUE
- △ SPEED vs ILine

**Motor Ratings:**

(1) C055FDS2147 4K055BG

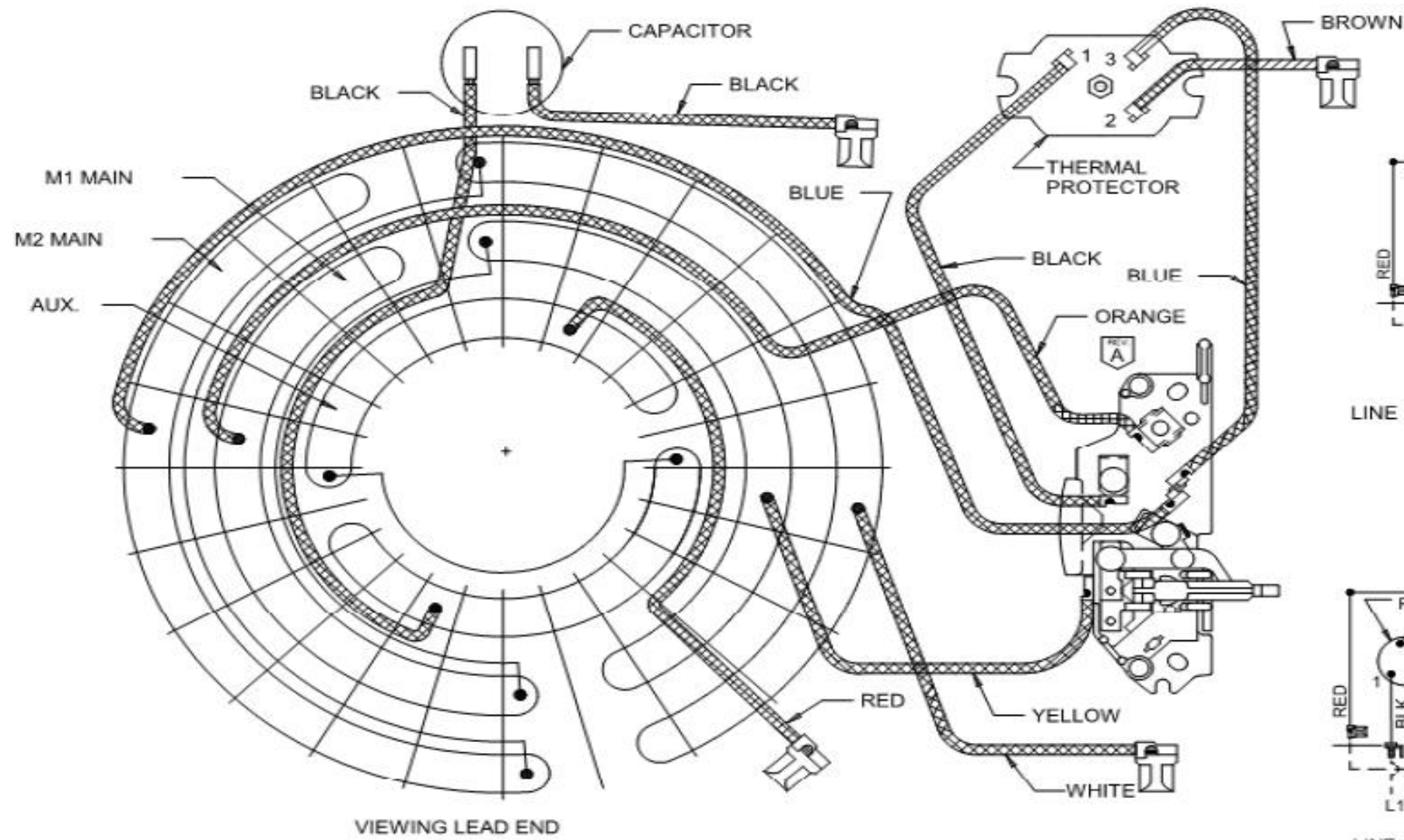
DRAWING NO.	PAGE 8 of 8	REV.
4K055BG		-

Dayton Electric Mfg. Co. Lake Forest, IL 60045 USA

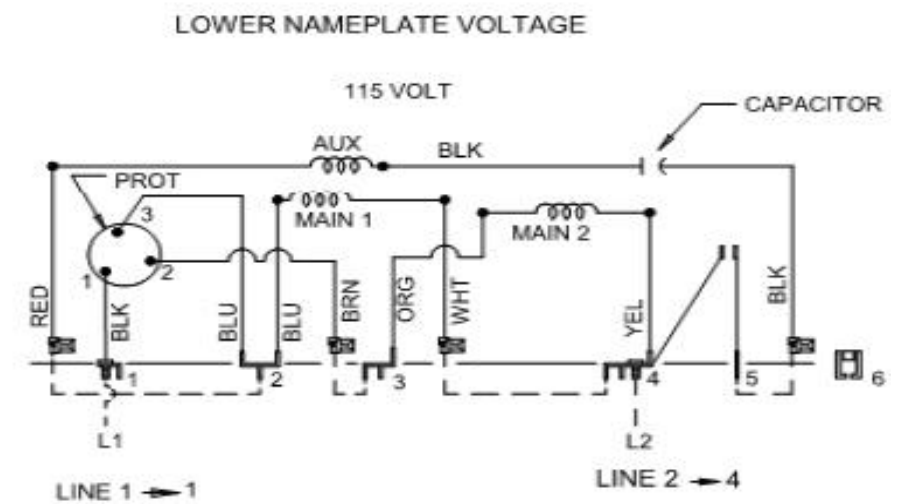
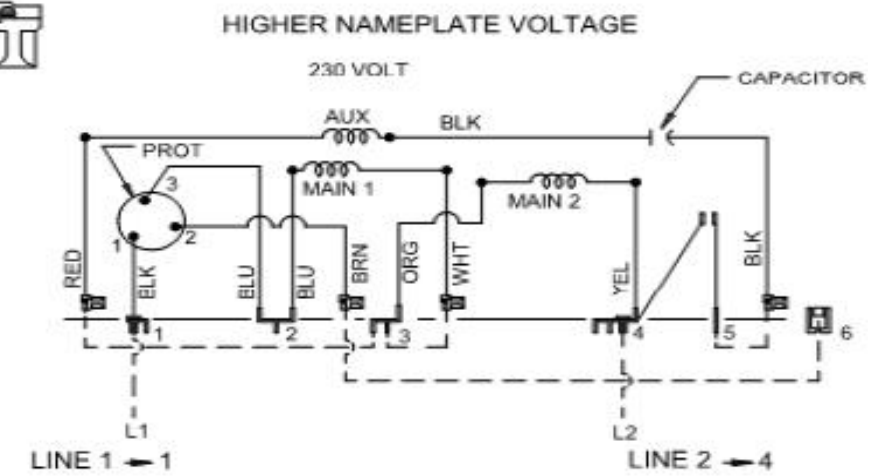
# Wiring Diagram



<b>4K055BG</b>	REV. -
----------------	-----------



ROTATION: CCW. LEAD END-REVERSIBLE  
TO REVERSE ROTATION INTERCHANGE  
RED & BLACK LEADS



DRAWING NO.	PAGE 1 of 1	REV.
	<b>4K055BG</b>	-

Dayton Electric Mfg. Co. Lake Forest, IL 60045 USA

**Dayton**<sup>®</sup>

# AERATION FAN MOTOR

HP: 1/2

VOLTS: 115/230

AMPS: 8.0/4.0

RPM: 3450

DUTY: CONT

SF: 1.00

KVA CODE: M

ENCL: TEAO

THERMALLY PROTECTED: AUTO

MFG. NO. PROT. CODE: 

MTR REF: C55KZFD5-2147

PH: 1

HZ: 60

FR: 48

INS CL: B

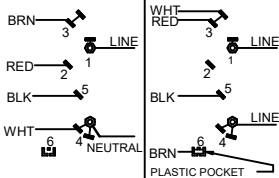
AMB: 50 °C

SFA:

AVG. F.L.  
EFF.Part  
No 4K055BG**Disconnect Power Before Making  
Any Electrical Connections or Changes****CONNECTIONS**

LOW VOLTAGE

HIGH VOLTAGE

ROTATION IS CW SHAFT END TO  
REVERSE ROTATION INTERCHANGE  
RED AND BLACK LEADS

Mfd for Dayton Electric Mfg. Co., Lake Forest, IL 60045 USA

Made in Mexico