

## Twist-Lock® Devices

30A, 3 Phase Y 120/208V AC; 4 Pole, 5 Wire Grounding

## Watertight Safety-Shroud® Connector

### Features

- UL Type 4X Environmental seal protects connection while in use.
- One-piece, engineered thermoplastic housing is impact-resistant for heavy-duty industrial environments
- Closure cap is included for environmental seal when device is not in use
- Superior cord grip design protects terminations from excess strain.



30A 3ØY  
120/208V AC  
NEMA L21-30R  
UL/CSA  
3 HP



### Ordering Information

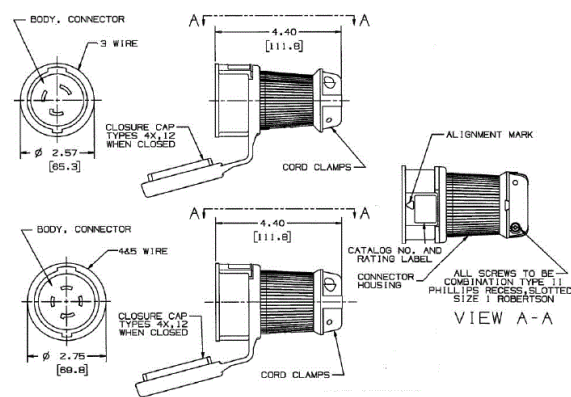
Description	Cord Diameter	UPC	Catalog Number
Black PBT housing, white PBT clamps.	.35"-1.15" (9-29)	783585232102	HBL2813SW

### Listings

Listed to UL 498  
Fed.Spec. W-C-596  
Certified to CSA C22.2 No.42  
UL Listed, CSA Certified to Type 4, 4X and Type 12

### Specifications

Housing / Cord Clamp	PBT
Terminal Retainer	Clear polycarbonate
Contacts	Brass
Terminal Screws	#10-32 Brass (Phillips / Slotted / Robertson)
Terminal Clamp	Cold rolled steel – nickel plated
Assembly Screws	Stainless Steel
Watertight Gland	Neoprene
Closure Plug	Santoprene



### Performance

Electrical	
Current Interrupting	Certified for current interrupting at full rated current
Dielectric Voltage	Withstands 2,000V minimum
Mechanical	
Terminal Accommodation	#16 AWG - #8 AWG stranded copper wire only.
Terminal Identification	Terminals identified in accordance with UL 498
Environmental	
Flammability	V0 per UL94 or CSA 22.2 No.0.17
Moisture Resistance	Type 4, 4X, 12, IP66 suitability
Operating Temperatures	Maximum Continuous 75°C Minimum -40°C (w/o impact)

### Complementary Products

Watertight Safety Shroud Plug	HBL2811SW
Watertight Safety Shroud Flanged Inlet	HBL2815SW

### Online Resources

Customer Use Drawing  
eCatalog  
Installation Instructions

Dimensions in Inches (mm)

Hubbell Wiring Device-Kellems • Hubbell Incorporated (Delaware) • 40 Waterview Drive • Shelton, CT 06484

Phone (800) 288-6000 • Fax (800) 255-1031 • Specifications subject to change without notice.

# HUBBELL

