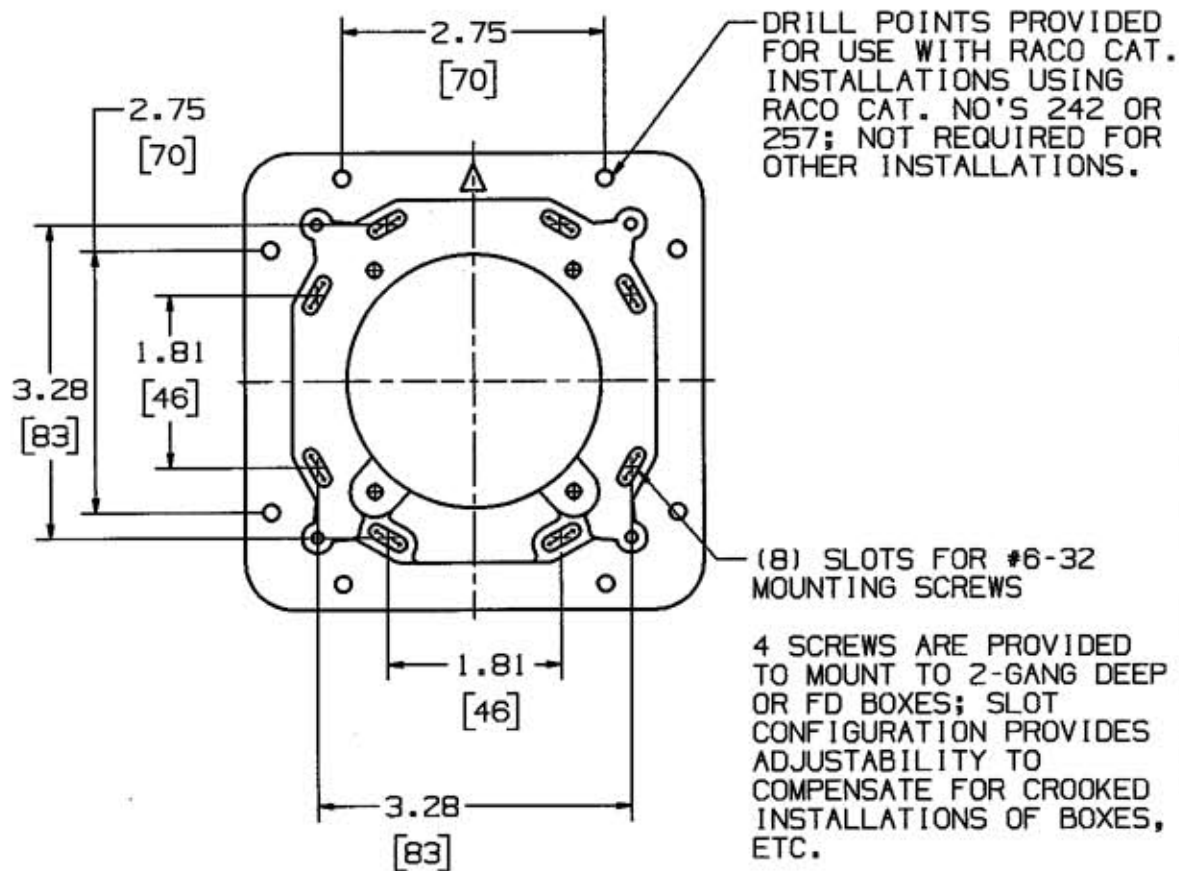
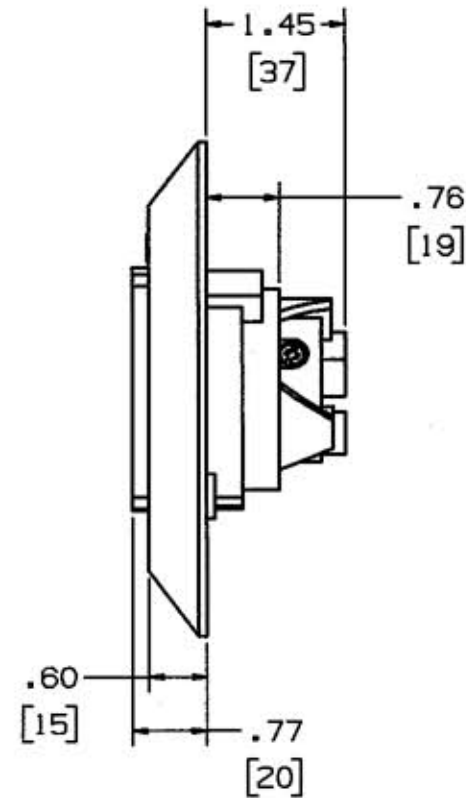
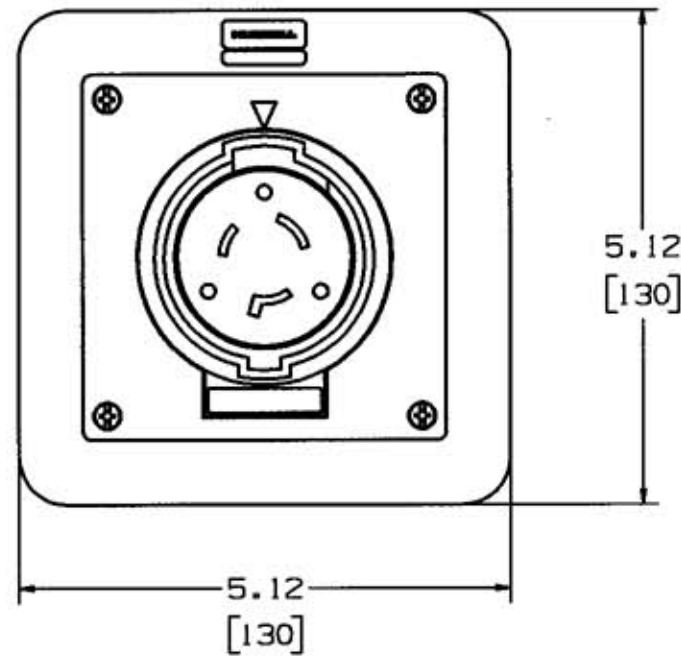


M-7366 3



MOUNTING PLATE DIMENSIONS

NOTE: INCHES [MM]

SAFETY-SHROUD™ TWIST-LOCK® RATING TABULATION					
NEMA NO.	CAT. NO.	COLOR CODE	POLES/WIRES	AMPS	VOLTS
L5-20R	HBL2310SR2	YELLOW	2 POLE 3 WIRE	20	125
L6-20R	HBL2320SR2	BLUE		20	250
L7-20R	HBL2330SR2	GRAY		20	277 VAC
L5-30R	HBL2610SR2	YELLOW	3 POLE 4 WIRE	30	125
L6-30R	HBL2620SR2	BLUE		30	250
L14-20R	HBL2410SR2	ORANGE		20	125/250
L15-20R	HBL2420SR2	BLUE	4 POLE 5 WIRE	20	3 Ø 250
L16-20R	HBL2430SR2	RED		20	3 Ø 480
L14-30R	HBL2710SR2	ORANGE		30	125/250
L15-30R	HBL2720SR2	BLUE	4 POLE 5 WIRE	30	3 Ø 250
L16-30R	HBL2730SR2	RED		30	3 Ø 480
L17-30R	HBL2740SR2	BLACK		30	3 Ø 600
L21-20R	HBL2510SR2	BLUE	4 POLE 5 WIRE	20	3 Ø Y 120/208
L21-30R	HBL2810SR2	BLUE		30	3 Ø Y 120/208

LIST OF PARTS

DESCRIPTION	MATERIAL	FINISH
RECEPTACLE HOUSING	VALOX 357	GRAY
MOUNTING PLATE	VALOX 357	GRAY
WALLPLATE	VALOX 357	GRAY
SCREW, INTERIOR MTG	STEEL	NICKEL PLATE
SCREW, #6-32 MTG	STEEL	NICKEL PLATE
SCREW, WALLPLATE MTG	STEEL	NICKEL PLATE
SCREW, #8 TRILOBE	ST. STEEL	
INTERIOR ASSEMBLY		
TERMINAL SCREWS	BRASS	VARIES
TERMINAL CLAMP	STEEL	NICKEL PLATE
CONNECTOR BODY	NYLON	NATURAL
RETAINER	POLYCARBONATE	CLEAR
CONTACT SPRINGS	BRASS	BRIGHT DIP

NOTES:

- UNLESS OTHERWISE SPECIFIED, ALL SCREWS ARE COMBINATION ROBERTSON/PHILLIPS/SLOTTED HEAD.
- ALL TERMINAL SCREWS AND CLAMPS HAVE #10-32 THREADS.
- FINISH ON TERMINAL SCREWS ARE AS FOLLOWS:
BRIGHT BRASS: LINE(S)
NICKEL PLATED: NEUTRAL
GREEN: GROUND
BLACK: LINE(S)
- MOUNTS TO 2-GANG DEEP OR FD ELECTRICAL BOX.

3	ADDED NEMA NO. COLUMN TO TABLE; RELOCATED TABLE & VIEWS; "IEC" REMOVED FROM COLOR CODE COLUMN IN TABLE; ADDED INCHES/[MM] & SEE TABLE NOTE; DEC. DIM. WAS FRACTION PER DCN 8685 RCM	TCM	11/7/01
2	REVISED TO TRI-DRIVE SCREWS; REVISED NOTE 1 PER DCN 7633 RCM	DVB	6/21/00
1	RELEASED PER EC-3820 TRJS	MDM	7/05/95
SYM	REVISIONS	APP	DATE

THE DESIGN AND DIMENSIONS OF THE PRODUCT SHOWN ON THIS DRAWING ARE SUBJECT TO CHANGE WITHOUT NOTICE

TITLE
FLUSH RECEPTACLES
(SAFETY SHROUD TWIST-LOCK)

TOLERANCES UNLESS OTHERWISE SPECIFIED	WIRING DEVICE-KELLEMS HUBBELL INCORPORATED BRIDGEPORT, CT	
FRACTIONS ±1/64	DR. BY MDM	APP. BY TRJS
DECIMALS ±.005	TR. BY	SCALE NONE
ANGLES ±2°	CHK'D BY TRJS	DATE 7/5/95