

IEC Pin and Sleeve
Accessories
Back Box

HUBBELL

Ordering Information

Description	Device Color	UPC	Catalog Number
Nonmetallic Back Box, 20/30A, 1" Hub, Angled	Gray	783585390871	BB2030N



Listings

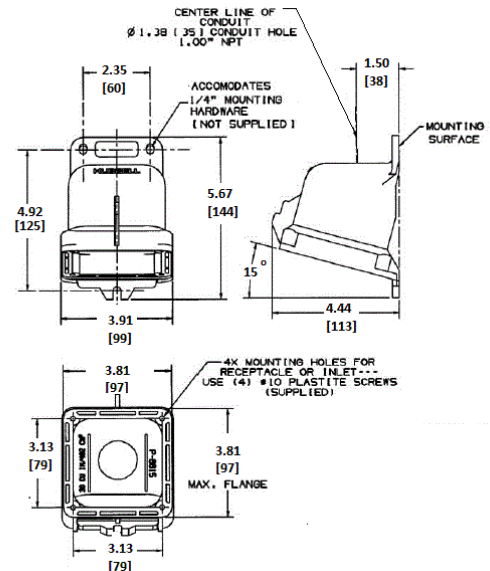
UL Raintight and External Icing Test
UL Type 4X

Specifications

Accessory Item	Non-Metallic Back Box
Back Box	15 Degree Angle
Box Hub Size	1" NPT
NEMA Rating	NEMA 4X

Performance

Environmental	
Moisture Resistance	IP69K Suitability



Accessories

Receptacle/Inlet Accommodation 16A, 20A, 30A & 32A IEC Pin & Sleeve
Receptacle/Inlet Accommodation Watertight Safety-Shroud®

Resources

Customer Use Drawing
eCatalog

Dimensions in Inches (mm)

Hubbell Wiring Device-Kellems • Hubbell Incorporated (Delaware) • 40 Waterview Drive • Shelton, CT 06484

Phone (800) 288-6000 • Fax (800) 255-1031 • Specifications subject to change without notice.

