

Commercial Tamper-Resistant GFCI Receptacles





Features

- Patented CIRCUITPRO® self-test technology includes disconnecting power to the receptacle if critical components are damaged and GFCI protection is lost
- Patented shutter design for tamper-resistant protection
- Compliant with NEC® 406.12 and NEC® 517-18(c)
- Alarm version provides audible notification of a trip condition



Tamper-Resistant





Rating	Color	Standard	Night Light Two LED Night Lights	Alarm	Combination Switch 15A 120V Switch	Standard 3-Pack Three Devices per Pack	
NEMA 5-15, 15A 125V 	Almond	GFTRST15AL	GFTRST15ALNL	GFTRST15ALB	—	—	
	Black	GFTRST15BK	GFTRST15BKNL	GFTRST15BKB	—	—	
	Brown	GFTRST15	GFTRST15NL	GFTRST15B	—	—	
	Gray	GFTRST15GY	GFTRST15GYNL	GFTRST15GYB	—	—	
	Ivory	GFTRST15I	GFTRST15INL	GFTRST15IB	GFSPST15I	GFTRST15I3	
	Light Almond	GFTRST15LA	GFTRST15LANL	GFTRST15LAB	GFSPST15LA	GFTRST15LA3	
	Red	GFTRST15R	GFTRST15RNL	GFTRST15RB	—	—	
	White	GFTRST15W	GFTRST15WNL	GFTRST15WB	GFSPST15W	GFTRST15W3	
	NEMA 5-20, 20A 125V 	Almond	GFTRST20AL	GFTRST20ALNL	GFTRST20ALB	—	—
		Black	GFTRST20BK	GFTRST20BKNL	GFTRST20BKB	—	—
Brown		GFTRST20	GFTRST20NL	GFTRST20B	—	—	
Gray		GFTRST20GY	GFTRST20GYNL	GFTRST20GYB	—	—	
Ivory		GFTRST20I	GFTRST20INL	GFTRST20IB	—	GFTRST20I3	
Light Almond		GFTRST20LA	GFTRST20LANL	GFTRST20LAB	—	GFTRST20LA3	
Red		GFTRST20R	GFTRST20RNL	GFTRST20RB	—	—	
White		GFTRST20W	GFTRST20WNL	GFTRST20WB	—	GFTRST20W3	



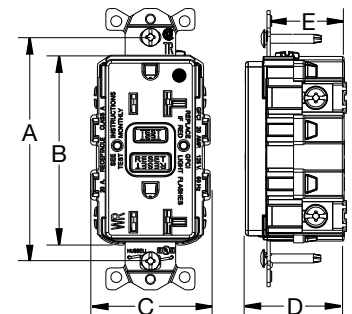
Hospital Grade • Tamper-Resistant



Rating	Color	Night Light Two LED Night Lights	Alarm	
NEMA 5-15, 15A 125V 	Almond	GFST82ALTRNL	GFST82ALTRB	
	Black	GFST82BKTRNL	GFST82BKTRB	
	Brown	GFST82TRNL	GFST82TRB	
	Gray	GFST82GYTRNL	GFST82GYTRB	
	Ivory	GFST82ITRNL	GFST82ITRB	
	Light Almond	GFST82LATRNL	GFST82LATRB	
	Red	GFST82RTRNL	GFST82RTRB	
	White	GFST82WTRNL	GFST82WTRB	
	NEMA 5-20, 20A 125V 	Almond	GFST83ALTRNL	GFST83ALTRB
		Black	GFST83BKTRNL	GFST83BKTRB
Brown		GFST83TRNL	GFST83TRB	
Gray		GFST83GYTRNL	GFST83GYTRB	
Ivory		GFST83ITRNL	GFST83ITRB	
Light Almond		GFST83LATRNL	GFST83LATRB	
Red		GFST83RTRNL	GFST83RTRB	
White		GFST83WTRNL	GFST83WTRB	

Product Dimensions Inches (mm)

	GFCI Receptacle
A	3.27" (83.1)
B	2.75" (69.8)
C	1.75" (44.5)
D	1.47" (37.4)
E	1.10" (27.9)



NEC® is a registered trademark of the National Fire Protection Association (NFPA).