



LED InstantFit Lamps

10.5PL-C/T LED/26V-4000 IF 4P 10/1

Philips LED T8 InstantFit Lamps are an ideal energy saving choice for existing linear fluorescent fixtures.

Product data

General Information	
Base	GX24Q-3 [GX24q-3]
Main Application	Industrial
Nominal Lifetime (Nom)	40000 h
Switching Cycle	50000X
B50L70	40000 h
Light Technical	
Color Code	841 [CCT of 4100K (841)]
Beam Angle (Nom)	120 °
Initial lumen (Nom)	1300 lm
Luminous Flux (Rated) (Nom)	1300 lm
Rated Beam Angle	120 °
Correlated Color Temperature (Nom)	4000 K
Color Consistency	<6
Color Rendering Index (Nom)	82
LLMF At End Of Nominal Lifetime (Nom)	70 %
Operating and Electrical	
Input Frequency	50 to 60 Hz
Power (Rated) (Nom)	10.5 W
Lamp Current (Nom)	150 mA
Starting Time (Nom)	0.5 s
Warm Up Time to 60% Light (Nom)	instant full light s
Power Factor (Nom)	0.9

Voltage (Nom)	120-277 V
Temperature	
T-Ambient (Max)	35 °C
T-Ambient (Min)	-20 °C
T-Storage (Max)	65 °C
T-Storage (Min)	-40 °C
T-Case Maximum (Nom)	77 °C
Controls and Dimming	
Dimmable	No
Mechanical and Housing	
Product Length	100 mm
Approval and Application	
Energy Efficiency Label (EEL)	A+
Energy Saving Product	Yes
Suitable For Accent Lighting	No
Approbation Marks	CE marking UL certificate RoHS compliance KEMA Keur certificate
Energy Consumption kWh/1000 h	14.5 kWh
Product Data	
Order product name	10.5PL-C/T LED/26V-4000 IF 4P 10/1

LED InstantFit Lamps

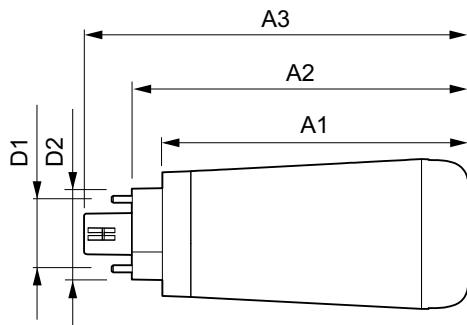
EAN/UPC - Product	046677458430
Order code	458430
Numerator - Quantity Per Pack	1
Numerator - Packs per outer box	10

Material Nr. (12NC)	929001181404
Net Weight (Piece)	0.090 kg

Warnings and Safety

- Perform a visual inspection to ensure lamp holders (or sockets) are not damaged or loose. If the lamp holders (or sockets) are damaged, corroded, charred, blackened or loose, contact a qualified electrician for proper replacement.
- Please refer to the ballast compatibility guide located at www.philips.com/instantfit.

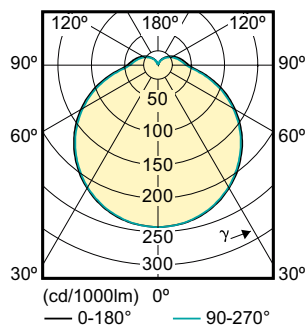
Dimensional drawing



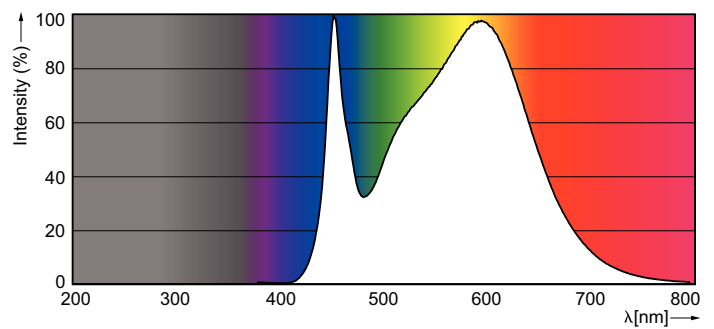
LEDtube 100mm 10.5W/840

Product	D1	D2	A1	A2	A3
10.5PL-C/T LED/26V-4000 IF 4P 10/1	24.3 mm	29 mm	99.9 mm	109.9 mm	125.5 mm

Photometric data



LED InstantFit PL-C/T 100mm 10.5 W



LED InstantFit PL-C/T 100mm 10.5 W /840

