

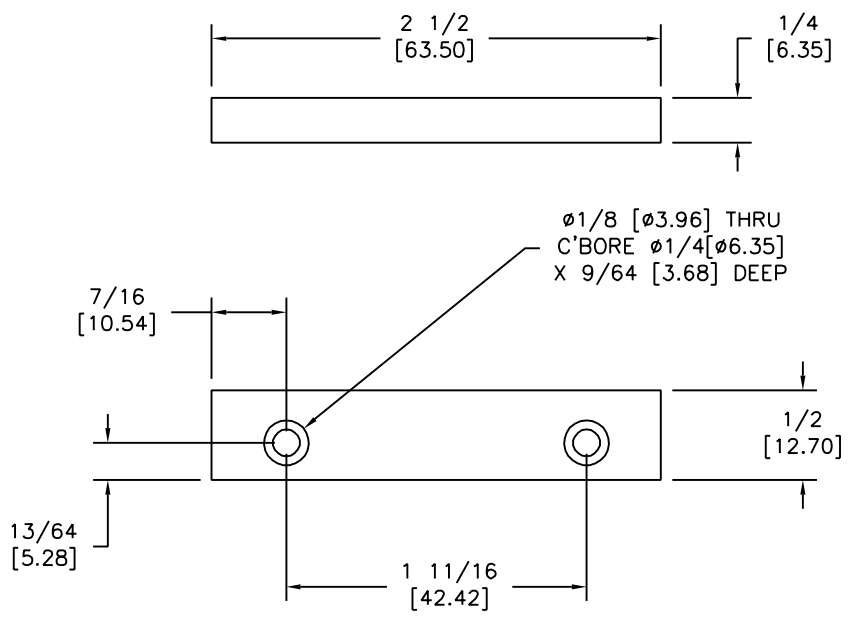
ALL DIMENSIONS ARE  
FOR REFERENCE ONLY


DIMENSIONS ARE IN INCHES [MILLIMETERS]  
UNLESS OTHERWISE NOTED

PRODUCT SPECIFICATION SHEET			DWG NO	353 SP
REVISIONS			TITLE	
REV	ECO	DESCRIPTION	BY/DATE	APPROVED
A		INITIAL RELEASE	IB 30 JUL 96	

SPECIFICATIONS

SHIPPING WEIGHT ..... .18 POUNDS [.08 KG] (PAIR)  
 MATERIAL ..... 1018 COLD ROLLED STEEL  
 FINISH ..... CLEAR ZINC PLATED



ALL DESIGN, OPERATIVE, AND PROCESS DATA PERTAINING TO THE ARTICLE ON THIS SHEET IS THE PROPERTY OF PANAVISE PRODUCTS, INC., RENO, NV. THIS INFORMATION IS DISCLOSED IN CONFIDENCE AND IS NOT TO BE COPIED, REPRODUCED, OR REVEALED TO OR APPROPRIATED BY OTHERS, IN PART OR IN WHOLE, WITHOUT THE EXPRESSED CONSENT OF PANAVISE. THIS PRINT IS LOANED, AND MUST NOT BE USED IN ANY MANNER DETRIMENTAL TO THE INTEREST OF PANAVISE, AND MUST BE RETURNED ON DEMAND				 <b>PANAVISE®</b> 7540 Calbert Drive, Reno, Nevada 89511-1225 Phone (702) 850-2900, Fax (702) 850-2929	
BASIC DIM. ENGLISH [ALTERNATE DIM. METRIC]				TITLE	
				VISE JAW STEEL	
DRAWN	DATE	SCALE	SIZE	DWG. NO.	REV
I BENNETT	30 JUL 96	NONE	A	353 SP	A
SHT 1 OF 1					