

Class CC and supplemental modular ferrule fuse blocks



Description:

BCM (Class CC) and BMM (supplemental 13/32 x 1-1/2" /10x38) modular style fuse blocks with optional covers.

These Bussmann series fuse blocks contain multiple features to add versatility, reduce labor and enhance safety of any panel design.

Specifications

Ratings:

- Volts 600 Vac/dc
- Amps up to 30A
- SCCR up to 200kA (limited by fuse interrupting rating)

Agency information:

- Class CC BCM Series
 - UL Listed File E14853, Guide IZLT
 - CSA Certified 47235-6225-01
 - CE
 - RoHS Compliant
- 13/32" x 1-1/2" (Midget) BMM Series
 - UL Recognized File E14853, Guide IZLT2
 - CSA Certified 47235-6225-01
 - CE
 - RoHS Compliant

- Covers
 - Covers are included in the overall UL Listing/Recognition and CSA Certification
 - IP20 finger-safe
 - RoHS Compliant

Poles:

- 1-, 2-, 3-pole units factory assembled
- Single-pole units snap together to create desired number of poles

Flammability ratings:

- Blocks — UL 94V0, self-extinguishing
- Covers — UL 94HB, self-extinguishing

Features and benefits:

- Available in 1-, 2- and 3-pole configurations to meet stocking requirements.
- Blocks are fully modular with a snap-together design that provides tool-less assembly of multiple pole blocks at point-of-use to reduce inventory and save assembly time and labor.
- DIN-Rail and panel mount versatility allows one product to be used for multiple applications, lowering inventory cost.
- Compact footprint consumes minimal panel space.
- Optional see-through cover enhances safety with IP20 finger-safe protection, lockout/tagout capability and open circuit indication.
- Easy circuit identification with available universal marker labels for fuse block covers.
- Tin-plated bimetallic copper fuse clips deliver superior fatigue resistance compared to traditional spring brass.
- Terminal options to meet application needs including 1/4" spade quick connect terminals for faster panel assembly.

Operating and storage temperature range:

- Blocks -40°C to +120°C
- Non indicating covers -40°C to +120°C
- Indicating covers -20°C to +90°C*

* Indication requires minimum 90Vac/dc and closed circuit to illuminate.

Materials:

- Base — Thermoplastic
- Terminals — Tin-plated bimetallic copper
- Covers — Thermoplastic
- Screws and pressure plates — Zinc-plated steel

Cover catalog numbers:

- For blocks with quick connect terminals — CVR(I)-CCM-QC
- All other terminal options — CVR(I)-CCM

Recommended Bussmann series fuses:

- Class CC
 - Ultimate protection time-delay Low-Peak LP-CC, data sheet No. 1023
 - Advanced protection time-delay Limitron FNQ-R, data sheet No. 1014
 - Advanced protection fast-acting Limitron KTK-R, data sheet No. 1015
- 13/32" x 1-1/2" (midget)
 - Fast-acting 250Vac BAF, data sheet No. 2011
 - Fast-acting 600Vac KTK, data sheet No. 1011
 - Fast-acting 600Vac/dc KLM, data sheet No. 2020
 - Time-delay 250Vac FNM, data sheet No. 2028
 - Time-delay 500Vac FNQ, data sheet No. 1012
- 10x38mm (IEC)
 - Class aM and gG/gL IEC industrial fuses, data sheet No. 720115

Recommended Bussmann series DIN-Rail end stops:

- Cat. no. BRKT-ND
- Cat. no. BRKT-NDSCREW2

Table 3. Catalog numbers

Terminal type						
#10-32 Phil-slot screw	Screw with quick connect*	Pressure plate	Pressure plate with quick connect*	Box lug	Poles	Fuse class
BCM603-1S	BCM603-1SQ	BCM603-1P	BCM603-1PQ	BCM603-1C	1	CC
BCM603-2S	BCM603-2SQ	BCM603-2P	BCM603-2PQ	BCM603-2C	2	CC
BCM603-3S	BCM603-3SQ	BCM603-3P	BCM603-3PQ	BCM603-3C	3	CC
—	BMM603-1SQ	—	BMM603-1PQ	BMM603-1C	1	10x38 (13/32"x1-1/2")
—	BMM603-2SQ	—	BMM603-2PQ	BMM603-2C	2	10x38 (13/32"x1-1/2")
—	BMM603-3SQ	—	BMM603-3PQ	BMM603-3C	3	10x38 (13/32"x1-1/2")
—	BCCMM603-3SQ	—	BCCMM603-3PQ	—	3	3-Pole control circuit transformer block 2-pole CC with 1-pole 10x38 (13/32"x1-1/2")

* 1/4" Quick Connect terminal maximum ampacity dependent on female spade connector and wire ratings.

Table 1. Terminal specifications

Terminal type	75/90°C AWG type/ range	Torque	
		AWG	lb-in (N·m)
Box lug (C)	CU 2-14 AL 2-8	CU 2-3	50 (5.6)
		CU 4-6	45 (5.1)
		CU 8-14	35 (4.0)
		AL 2-6	50 (5.6)
		AL 8	40 (4.5)
Screw (S)			
Screw/quick connect* (SQ)			
Pressure plate (P)	CU 10-18	10-18	20 (2.3)
Pressure plate/ quick connect* (PQ)			

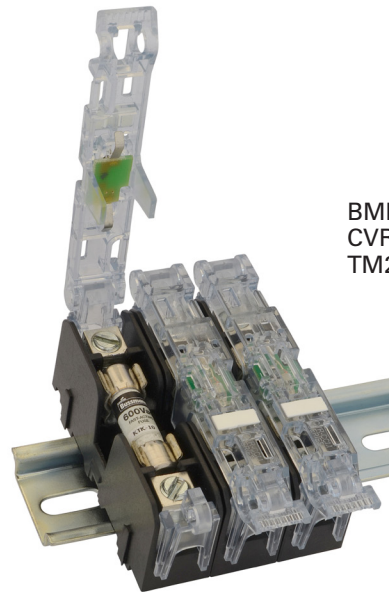
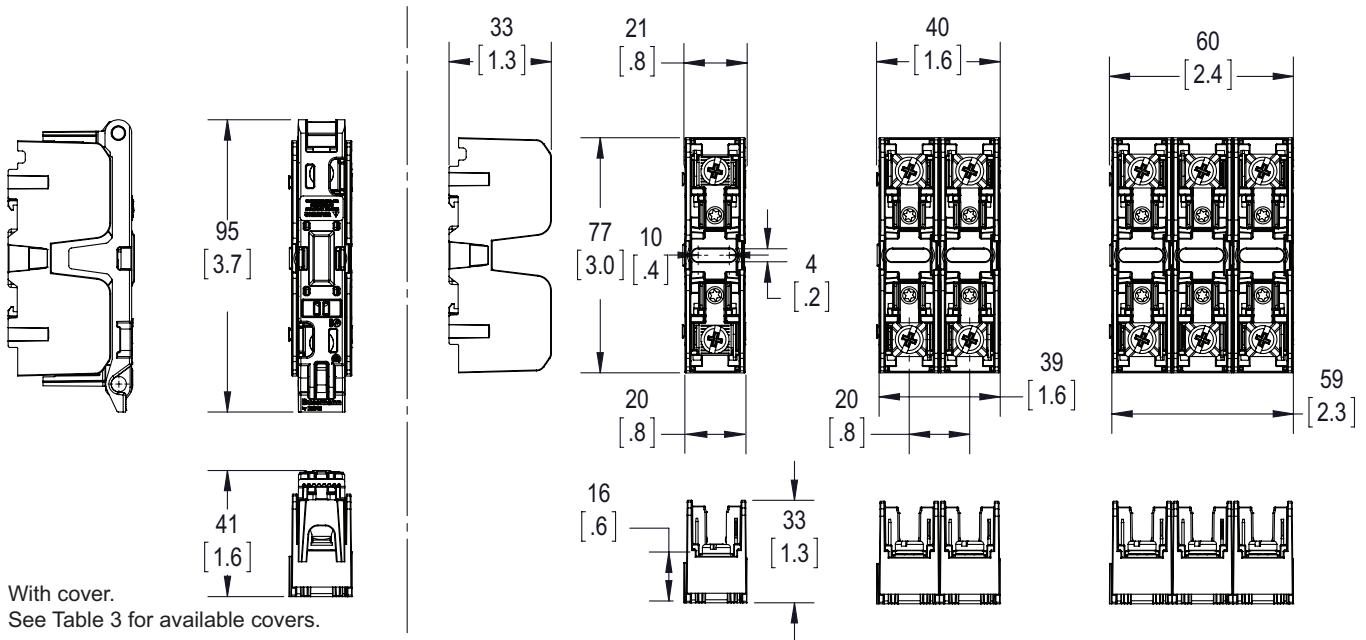
* 1/4" Quick Connect terminal maximum ampacity dependent on female spade connector and wire ratings.

Table 2. Recommended covers*

Terminal type	Cover catalog numbers	
	Indicating	Non indicating
Box lug (C)	CVRI-CCM	CVR-CCM
Screw (S)	CVRI-CCM	CVR-CCM
Screw/quick connect (SQ)	CVRI-CCM-QC	CVR-CCM-QC
Pressure plate (P)	CVRI-CCM	CVR-CCM
Pressure plate/quick connect (PQ)	CVRI-CCM-QC	CVR-CCM-QC

* For use with 4AWG max conductors.

Dimensions - mm (in)



The only controlled copy of this Data Sheet is the electronic read-only version located on the Bussmann Network Drive. All other copies of this document are by definition uncontrolled. This bulletin is intended to clearly present comprehensive product data and provide technical information that will help the end user with design applications. Bussmann reserves the right, without notice, to change design or construction of any products and to discontinue or limit distribution of any products. Bussmann also reserves the right to change or update, without notice, any technical information contained in this bulletin. Once a product has been selected, it should be tested by the user in all possible applications.

Eaton's Bussmann Business
114 Old State Road
Ellisville, MO 63021
United States
www.bussmann.com

© 2019 Eaton
All Rights Reserved
Publication No. 10241 - BU-SB14605
January 2019

Eaton is a registered trademark.
All other trademarks are property
of their respective owners.

For Eaton's Bussmann series
product information,
call 1-855-287-7626 or visit:
Eaton.com/bussmannseries

Follow us on social media to get the
latest product and support information.

