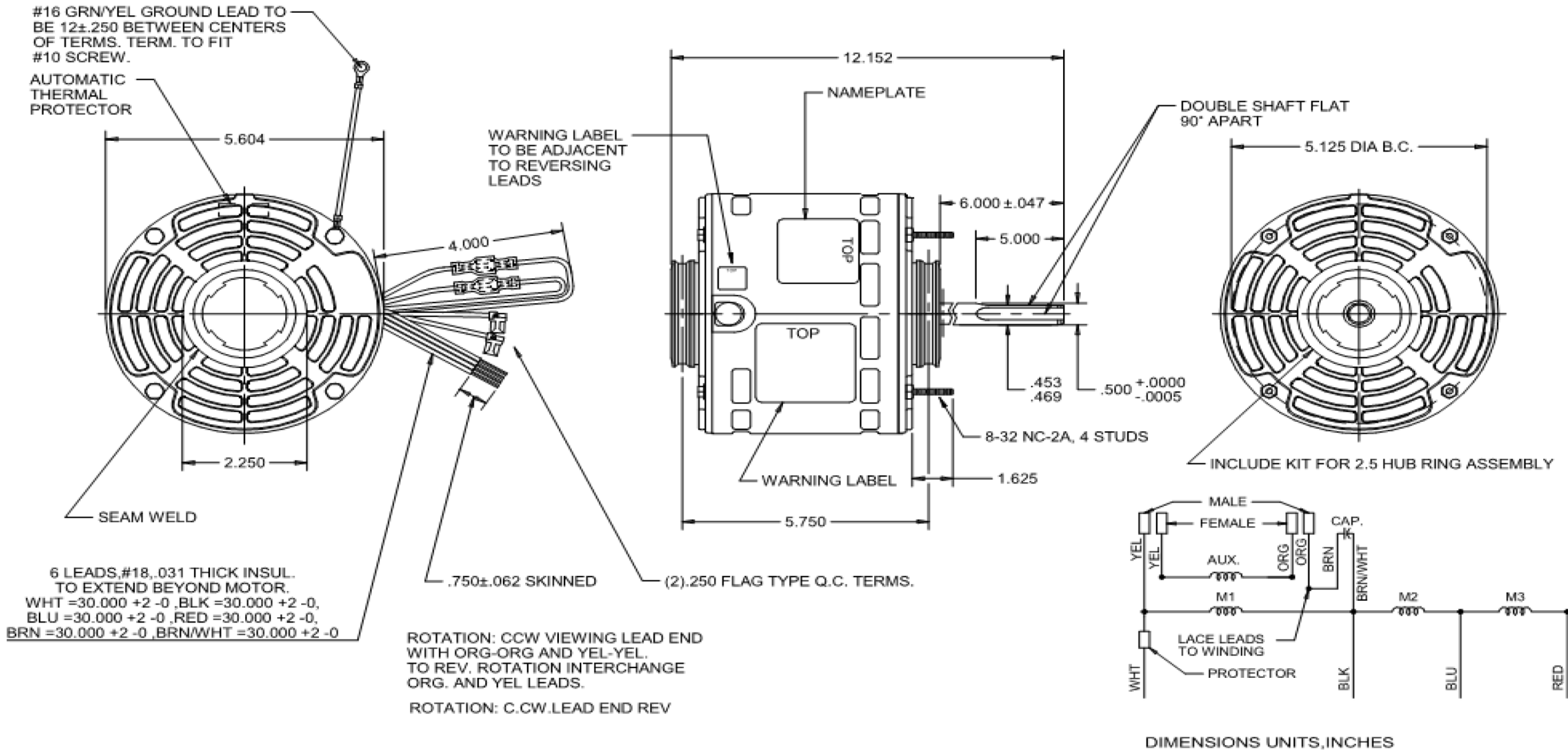


Dimensional Drawing



3M713BH REV. -

MODEL	REF	CUSTOMER	HP	VOLTS	AMPS	HZ	RPM	ROTATION	CUSTOMER PN	DESCRIPTION / REMARKS
K55HXRWA-2365		DAYTON	1/3	277	2.2	60	1075	C.CW. LEAD END REV	3M713BH	SAB



DRAWING NO. PAGE 1 of 1 REV. -
3M713BH

Dayton Electric Mfg. Co. Lake Forest, IL 60045 USA

Performance Data



3M713BH

REV.

-

SHADED-POLE & PSC MOTOR PERFORMANCE

HP:	1/3							
Poles:	6							
Ambient (°C):	40							
Altitude (FASL):	1000							
No. of Speeds:	3							
HIGH SPEED								
Volts:	277	277						
HZ:	60	60						
Service Factor:	1.0							
Efficiency:	@ Rated Load	59.5						
Power Factor:	@ Rated Load	78.1						
Amps:	@ No Load							
	@ Rated Load	2.4						
	@ Locked Rotor	5.1						
RPM:	@ Rated Load	1075						
Torques: Oz.Ft. / Lb.In. (Circle One)	Breakdown	42.9						
	Locked Rotor	3.6						
	Pull-Up							
	Rated Load	32.3						
	Service Factor	1						
Watts:	Rated Load	519						
Temperature Rise:	@ Rated Load							
Thermal Protector:	Trip Temp (°C)	125~135						
Winding Material:	Start (Auxiliary)	Cu						
	Run (Main)	Cu						
Capacitor:	Run (MFD / Volts)	4.0 MFD 370V						
	No. of Run Capacitors	1						
MEDIUM-HIGH SPEED								
HP:	1/3							
Volts:	277	277						
HZ:	60	60						
Efficiency:	@ Rated Load							
Power Factor:	@ Rated Load							
Amps:	@ No Load							
	@ Rated Load							
	@ Locked Rotor							
Torques: Oz.Ft. / Lb.In. (Circle One)	Breakdown	28.2						
	Locked Rotor							
	Pull-Up							
	Rated Load							
Watts:	Rated Load							
Temperature Rise:	@ Rated Load							

DRAWING NO. PAGE 1 REV.
3M713BH -

Dayton Electric Mfg. Co. Lake Forest, IL 60045 USA

3M713BH

REV.

-

SHADED-POLE & PSC MOTOR PERFORMANCE

MEDIUM-LOW SPEED

HP:	1/3							
Volts:	277	120	208	230	277	460	100	200
HZ:	60	60	60	60	60	60	50	50
Efficiency:	@ Rated Load							
Power Factor:	@ Rated Load							
Amps:	@ No Load							
	@ Rated Load							
Torques: Oz.Ft. / Lb.In. (Circle One)	Breakdown							
	Locked Rotor							
	Pull-Up							
	Rated Load							
Watts:	Rated Load							
Temperature Rise:	@ Rated Load							
Watts:	Rated Load							
Temperature Rise:	@ Rated Load							
Thermal Protector:	Trip Temp (°C)							
Winding Material:	Start (Auxiliary)							
	Run (Main)							

LOW SPEED

HP:	1/3							
Volts:	277	277						
HZ:	60	60						
Efficiency:	@ Rated Load							
Power Factor:	@ Rated Load							
Amps:	@ No Load							
	@ Rated Load							
Torques: Oz.Ft. / Lb.In. (Circle One)	Breakdown	20.4						
	Locked Rotor							
	Pull-Up							
	Rated Load							
Watts:	Rated Load							
Temperature Rise:	@ Rated Load							

Notes:

DRAWING NO. PAGE 1 REV.
3M713BH -

Performance Data



3M713BH REV.
-

Dayton Manufacturing Company

Motor Description

Model: K55RWA9537
 Motor ID: 3M713BH
 Poles: 6
 Volts: 277
 Frequency: 60
 HP: 1/3
 Speed: 1075/3SPD
 Phase: 1
 Protector:

Test Conditions

Test Type: Run Run Cap: 4
 Test Number: 2 Start Cap: 0µfd
 Poles: 6 Environment:
 Volts: 277 Tested: 2/3/2007 7:23:18 PM
 Hz: 60 Tested By: Sharp, Gerald
 Rotation: Gear Ratio: 1:1
 Special Cond: Bearing Friction: -0.23 Oz-Ft
 Speed Conn: M1 Windage Torque: -0.98 Oz-Ft
 TestBoard: Amtps Performance Fixture #4

Special Points	Vline (V)	Vaux (V)	Vcap (V)	Iline (A)	Watts	RPM	Tq(Oz-ft)	HP	Eff (%)	PF (%)
	277.0	264.5	412.9	1.433	132.7	1185	0.00	0.000	0.0	33.4
	277.0	260.8	405.4	1.442	173.2	1178	4.43	0.062	26.8	43.3
	277.0	257.7	399.3	1.484	207.3	1169	7.96	0.111	39.8	50.5
	277.0	255.0	393.8	1.540	240.3	1160	11.11	0.153	47.6	56.3
	277.0	251.5	387.3	1.632	281.6	1148	14.91	0.204	54.0	62.3
	277.0	248.0	380.4	1.750	327.7	1137	18.80	0.254	57.9	67.6
	277.0	243.3	373.3	1.887	375.1	1124	22.57	0.302	60.0	71.8
0.333 HP	277.0	239.6	368.2	1.993	409.2	1112	25.15	0.333	60.7	74.1
	277.0	237.5	365.7	2.042	424.6	1108	26.23	0.346	60.8	75.1
	277.0	230.2	356.9	2.220	477.3	1091	29.76	0.387	60.4	77.6
1075 RPM	277.0	222.4	348.3	2.367	518.6	1075	32.30	0.413	59.5	79.1
	277.0	220.6	345.9	2.402	528.0	1072	32.93	0.420	59.4	79.4
	277.0	215.7	338.7	2.599	579.0	1051	36.07	0.451	58.1	80.4
	277.0	206.5	331.8	2.845	641.4	1028	38.88	0.476	55.3	81.4
	277.0	196.2	322.9	3.082	697.9	1002	40.67	0.485	51.8	81.8
	277.0	185.1	314.3	3.316	749.7	971	42.18	0.488	48.5	81.6
	277.0	174.0	306.4	3.551	799.8	938	42.76	0.477	44.5	81.3
BDT OZ-FT	277.0	171.2	304.9	3.604	809.8	930	42.85	0.474	43.7	81.1
	277.0	162.4	299.6	3.781	844.9	902	42.63	0.458	40.4	80.7
	277.0	151.3	294.0	3.996	884.8	864	41.93	0.431	36.4	79.9
	277.0	140.5	289.5	4.197	920.3	824	40.65	0.399	32.3	79.2
	277.0	130.5	286.4	4.378	949.9	781	39.12	0.364	28.6	78.3
	277.0	121.2	284.2	4.539	974.9	736	37.06	0.325	24.9	77.5
	277.0	112.2	282.8	4.680	994.2	689	34.75	0.285	21.4	76.7
	277.0	104.0	282.2	4.811	1010.8	641	32.33	0.247	18.2	75.8
	277.0	96.0	282.2	4.932	1026.5	590	29.64	0.208	15.1	75.1
	277.0	88.9	282.8	5.036	1038.9	536	27.04	0.173	12.4	74.5
	277.0	81.8	283.7	5.131	1048.1	480	24.25	0.139	9.9	73.7
	277.0	75.0	285.3	5.213	1054.6	421	21.57	0.108	7.6	73.0
	277.0	69.3	287.1	5.277	1060.9	359	19.36	0.083	5.8	72.6
	277.0	64.4	289.0	5.328	1066.1	295	17.19	0.060	4.2	72.2
	277.0	60.3	291.2	5.370	1071.4	228	14.94	0.041	2.8	72.0
	277.0	56.5	294.3	5.403	1073.7	153	12.66	0.023	1.6	71.7

DRAWING NO. PAGE 1 of 6 REV.
3M713BH -

Dayton Electric Mfg. Co. Lake Forest, IL 60045 USA

Performance Data



3M713BH

REV.

-



Curve Descriptions:

Motor(1) Test 2 Run 277V 60 Hz 6P
M1 4ufd Run

- SPEED vs TORQUE
- SPEED vs ILine
- △ SPEED vs WATTS

Motor Ratings:

(1) K55RWA9537 ID: 1 OF 1
3M713BH

DRAWING NO.	PAGE 2 of 6	REV.
3M713BH		-

Dayton Electric Mfg. Co. Lake Forest, IL 60045 USA

Performance Data



3M713BH

REV.

-

Dayton Manufacturing Company

Motor Description

Model: K55RWA9537
 Motor ID: 3M713BH
 Poles: 6
 Volts: 277
 Frequency: 60
 HP: 1/3
 Speed: 1075/3SPD
 Phase: 1
 Protector:

Test Conditions

Test Type: Run
 Test Number: 4
 Poles: 6
 Volts: 277
 Hz: 60
 Rotation:
 Special Cond:
 Speed Conn: M2
 TestBoard: Amtps Performance Fixture #4
 Run Cap: 4
 Start Cap: 0µfd
 Environment:
 Tested: 2/3/2007 7:21:59 PM
 Tested By: Sharp, Gerald
 Gear Ratio: 1:1
 Bearing Friction: -0.26 Oz-Ft
 Windage Torque: -1.03 Oz-Ft

Special Points	Vline (V)	Vaux (V)	Vcap (V)	Iline (A)	Watts	RPM	Tq(Oz-ft)	HP	Eff (%)	PF (%)
	277.0	224.2	348.0	0.860	86.8	1184	0.00	0.000	0.0	36.4
	277.0	219.9	340.1	0.884	116.3	1176	3.17	0.044	28.5	47.5
	277.0	216.5	333.6	0.927	141.2	1167	5.60	0.078	41.1	55.0
	277.0	212.6	325.8	0.995	170.7	1156	8.35	0.115	50.2	62.0
	277.0	208.5	317.9	1.082	202.5	1144	11.12	0.151	55.8	67.6
	277.0	205.0	310.8	1.187	237.5	1131	13.91	0.187	58.8	72.2
	277.0	200.2	303.4	1.303	272.5	1117	16.54	0.220	60.2	75.5
	277.0	194.3	295.3	1.427	309.2	1101	19.09	0.250	60.4	78.2
	277.0	187.9	287.6	1.555	343.8	1083	21.24	0.274	59.4	79.8
1075 RPM	277.0	184.3	283.5	1.619	361.0	1075	22.21	0.284	58.7	80.5
	277.0	180.5	279.2	1.704	382.6	1063	23.36	0.296	57.7	81.1
	277.0	172.3	270.7	1.853	420.1	1042	25.09	0.311	55.3	81.8
	277.0	163.9	262.8	2.006	456.6	1017	26.52	0.321	52.5	82.2
	277.0	155.9	255.8	2.156	491.0	992	27.51	0.325	49.3	82.2
	277.0	146.7	248.7	2.309	524.2	963	28.02	0.321	45.7	81.9
BDT OZ-FT	277.0	138.6	243.2	2.450	552.6	934	28.23	0.314	42.4	81.4
	277.0	138.6	243.2	2.450	552.6	934	28.23	0.314	42.4	81.4
	277.0	129.8	238.1	2.592	580.5	902	27.99	0.301	38.6	80.8
	277.0	121.5	233.9	2.727	606.3	866	27.47	0.283	34.9	80.3
	277.0	113.4	230.6	2.851	628.4	830	26.66	0.263	31.3	79.6
	277.0	105.5	228.1	2.967	647.5	790	25.53	0.240	27.7	78.8
	277.0	98.0	226.6	3.074	664.5	748	24.25	0.216	24.2	78.0
	277.0	91.3	225.7	3.170	679.0	705	22.86	0.192	21.1	77.3
	277.0	84.6	225.4	3.259	691.3	658	21.28	0.167	18.0	76.6
	277.0	78.4	225.6	3.339	701.4	609	19.61	0.142	15.1	75.8
	277.0	72.7	226.3	3.412	710.6	558	17.88	0.119	12.5	75.2
	277.0	66.8	227.3	3.477	717.7	502	16.05	0.096	10.0	74.5
	277.0	61.5	228.6	3.535	723.6	442	14.21	0.075	7.7	73.9
	277.0	57.0	230.2	3.580	727.4	382	12.80	0.058	6.0	73.4
	277.0	52.6	232.5	3.617	731.5	318	11.33	0.043	4.4	73.0
	277.0	49.4	234.3	3.646	734.1	251	10.13	0.030	3.1	72.7
	277.0	46.7	236.3	3.672	737.2	178	8.68	0.018	1.9	72.5
	277.0	44.5	238.8	3.688	740.1	105	7.34	0.009	0.9	72.5

DRAWING NO. PAGE 3 of 6 REV.
3M713BH -

Dayton Electric Mfg. Co. Lake Forest, IL 60045 USA

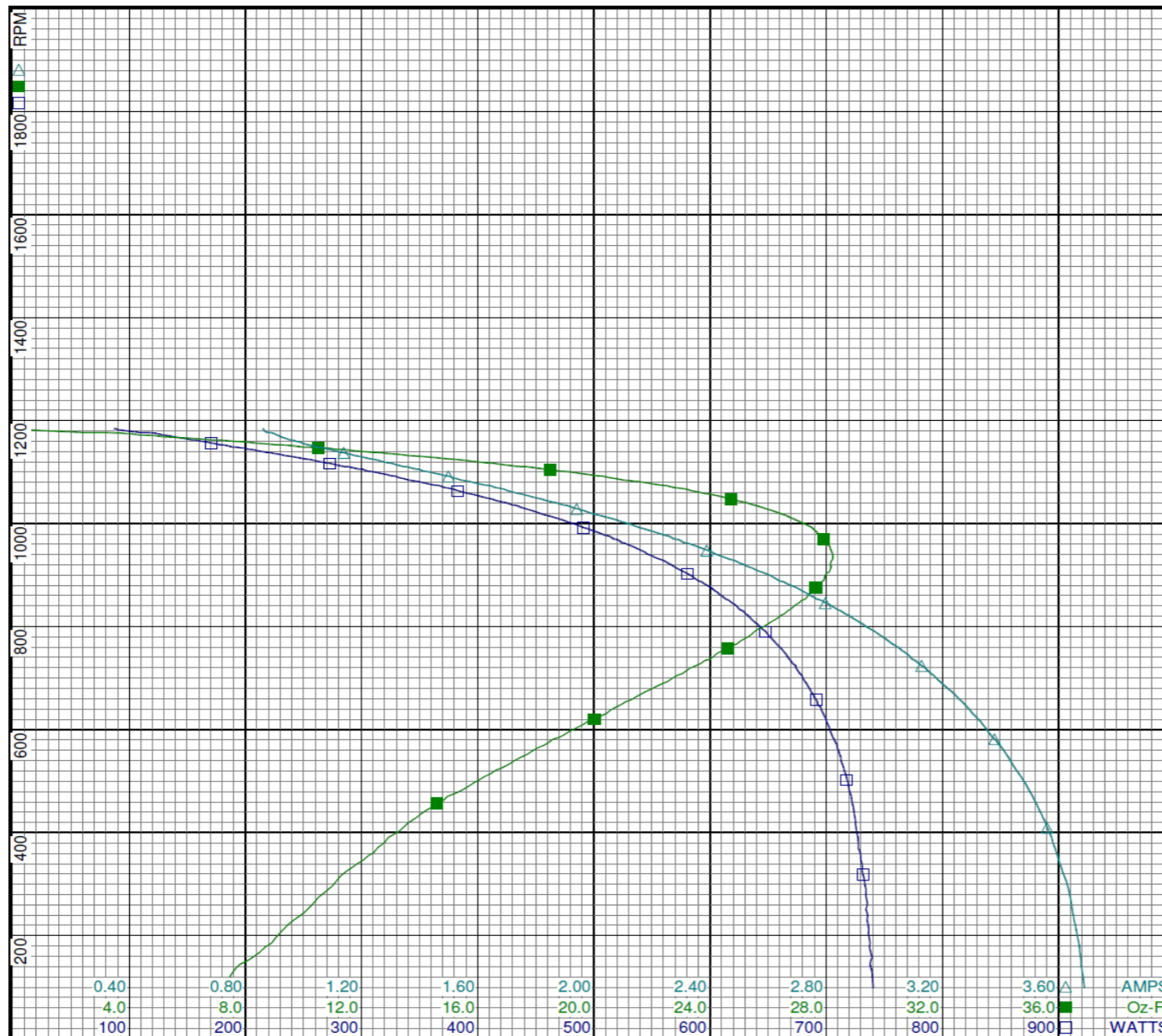
Performance Data



3M713BH

REV.

-



Curve Descriptions:

Motor(1) Test 4 Run 277V 60 Hz 6P
M2 4ufd Run

- SPEED vs WATTS
- SPEED vs TORQUE
- △ SPEED vs ILine

Motor Ratings:

3M713BH

DRAWING NO.	PAGE 4 of 6	REV.
3M713BH		-

Dayton Electric Mfg. Co. Lake Forest, IL 60045 USA

Performance Data



3M713BH	REV. -
----------------	-----------

Dayton Manufacturing Company

Motor Description

Model: K55RWA9537
 Motor ID: 3M713BH
 Poles: 6
 Volts: 277
 Frequency: 60
 HP: 1/3
 Speed: 1075/3SPD
 Phase: 1
 Protector:

Test Conditions

Test Type: Run
 Test Number: 6
 Poles: 6
 Volts: 277
 Hz: 60
 Rotation:
 Special Cond:
 Speed Conn: M3
 TestBoard: Amps Performance Fixture #4
 Run Cap: 4
 Start Cap: 0µfd
 Environment:
 Tested: 2/3/2007 7:09:19 PM
 Tested By: Sharp, Gerald
 Gear Ratio: 1:1
 Bearing Friction: -0.28 Oz-Ft
 Windage Torque: -0.99 Oz-Ft

Special Points	Vline (V)	Vaux (V)	Vcap (V)	Iline (A)	Watts	RPM	Tq(Oz-ft)	HP	Eff (%)	PF (%)
	277.0	192.0	299.2	0.600	63.4	1182	0.00	0.000	0.0	38.1
	277.0	187.5	291.0	0.627	86.9	1174	2.49	0.035	29.9	50.0
	277.0	184.0	284.0	0.671	107.1	1165	4.42	0.061	42.7	57.6
	277.0	180.5	275.8	0.740	132.9	1153	6.74	0.092	51.9	64.8
	277.0	177.8	269.2	0.812	156.6	1139	8.70	0.118	56.2	69.7
	277.0	174.5	262.2	0.895	182.7	1126	10.70	0.143	58.6	73.7
	277.0	169.9	255.3	0.985	208.8	1112	12.49	0.165	59.0	76.6
	277.0	164.5	248.3	1.079	235.0	1094	14.38	0.187	59.4	78.7
	277.0	158.7	241.0	1.178	262.0	1076	15.96	0.204	58.2	80.3
1075 RPM	277.0	157.9	240.3	1.190	264.9	1075	16.13	0.206	58.1	80.3
	277.0	152.4	234.0	1.283	288.4	1058	17.33	0.218	56.5	81.2
	277.0	145.9	227.2	1.385	313.4	1037	18.43	0.228	54.2	81.7
	277.0	139.1	220.7	1.491	338.3	1015	19.33	0.234	51.5	81.9
	277.0	132.1	214.5	1.598	362.1	989	19.93	0.235	48.3	81.8
	277.0	125.0	209.1	1.702	384.2	963	20.32	0.233	45.2	81.5
	277.0	117.8	204.0	1.806	405.8	934	20.39	0.227	41.7	81.1
BDT OZ-FT	277.0	117.0	203.5	1.816	407.8	930	20.43	0.226	41.4	81.0
	277.0	110.8	199.8	1.903	424.9	901	20.27	0.217	38.2	80.6
	277.0	104.0	196.3	1.996	442.5	868	19.83	0.205	34.5	80.0
	277.0	97.2	193.7	2.084	457.6	833	19.24	0.191	31.1	79.3
	277.0	90.8	191.8	2.166	471.0	796	18.47	0.175	27.7	78.5
	277.0	84.7	190.5	2.243	483.4	756	17.58	0.158	24.4	77.8
	277.0	78.6	189.8	2.312	493.3	712	16.56	0.140	21.2	77.0
	277.0	72.9	189.6	2.377	501.5	668	15.42	0.123	18.2	76.2
	277.0	67.7	189.9	2.435	509.7	619	14.23	0.105	15.3	75.6
	277.0	62.5	190.7	2.489	515.6	567	12.92	0.087	12.6	74.8
	277.0	57.9	191.6	2.537	521.7	512	11.61	0.071	10.1	74.2
	277.0	53.2	192.7	2.578	523.8	454	10.16	0.055	7.8	73.3
	277.0	49.1	194.3	2.613	528.2	393	9.20	0.043	6.1	73.0
	277.0	45.8	196.1	2.639	530.5	331	8.21	0.032	4.5	72.6
	277.0	42.7	198.3	2.663	532.6	262	7.32	0.023	3.2	72.2
	277.0	40.4	199.6	2.680	534.3	193	6.37	0.015	2.0	72.0
	277.0	38.6	201.6	2.693	536.7	116	5.33	0.007	1.0	71.9

DRAWING NO.	PAGE 5 of 6	REV.
3M713BH		-

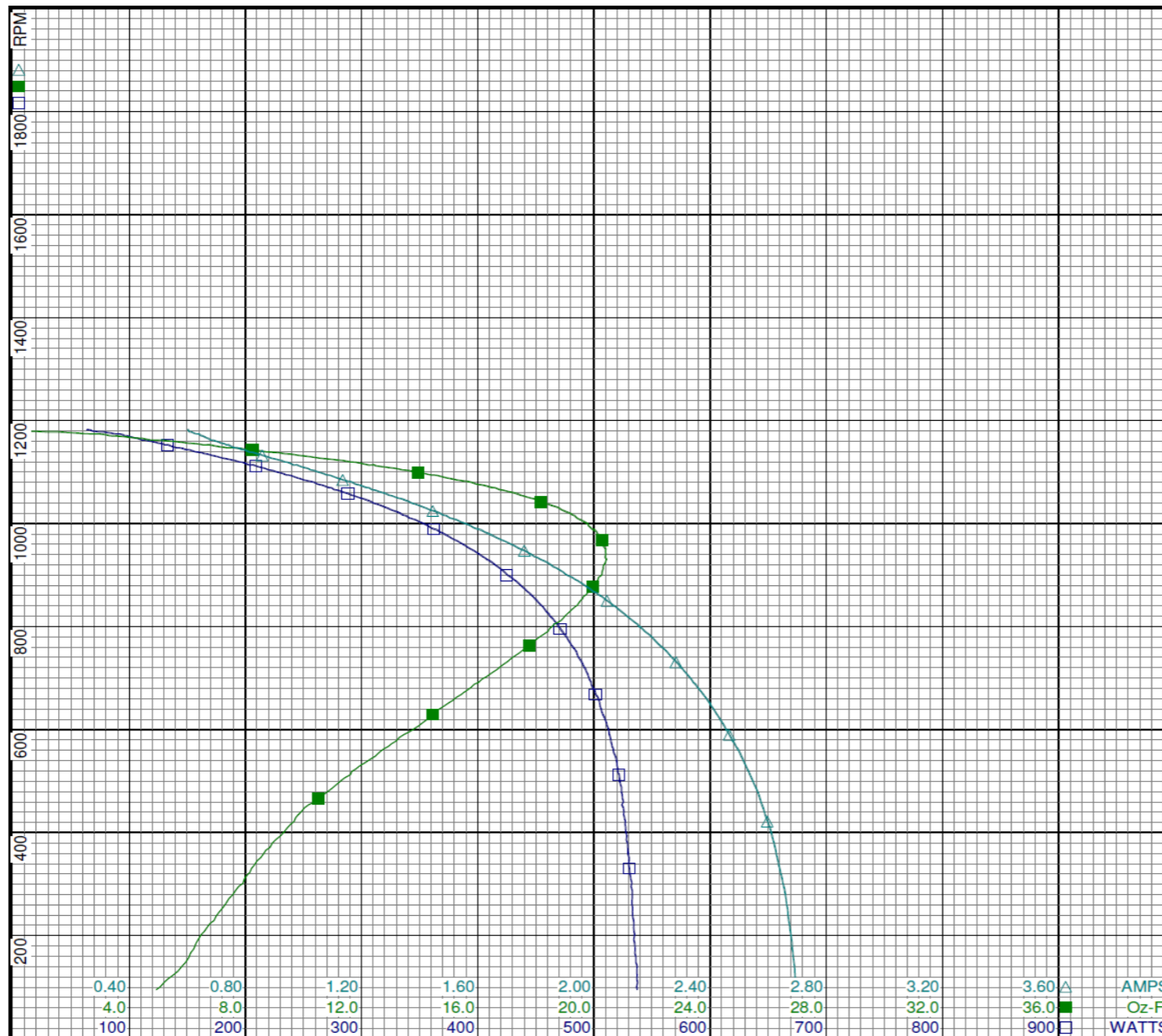
Performance Data



3M713BH

REV.

-



Curve Descriptions:

Motor(1) Test 6 Run 277V 60 Hz 6P
M3 4ufd Run

- SPEED vs WATTS
- SPEED vs TORQUE
- △ SPEED vs ILine

Motor Ratings:

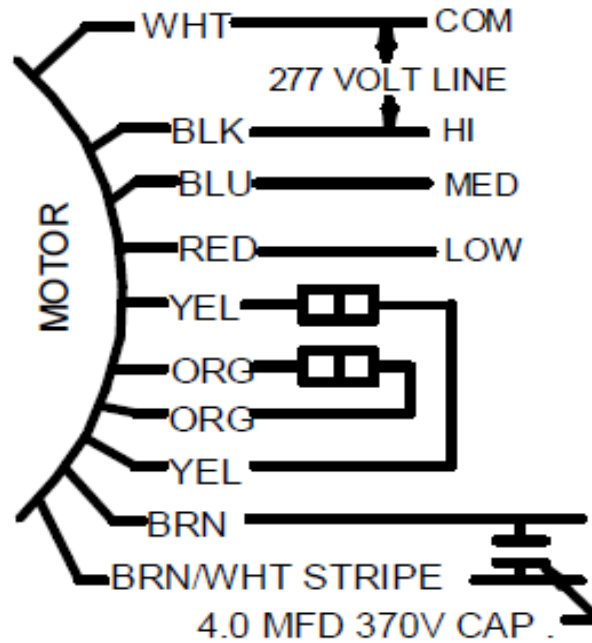
3M713BH

DRAWING NO.	PAGE 6 of 6	REV.
3M713BH		-

Dayton Electric Mfg. Co. Lake Forest, IL 60045 USA

3M713BH	REV. -
---------	-----------

TO REVERSE ROTATION
INTERCHANGE ORG AND YEL LEADS



DRAWING NO.	PAGE 1 of 1	REV.
3M713BH		-

Dayton®

DIRECT DRIVE BLOWER MOTOR

HP: 1/3
VOLTS: 277
AMPS: 2.2
RPM: 1075 / 3SPD
DUTY: CONT
SF: 1.0
KVA CODE:
ENCL: OAO
THERMALLY PROTECTED: AUTO

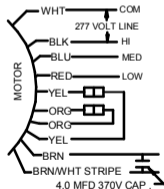


Part
No 3M713BH

PH: 1
HZ: 60
FR: 48YZ
INS CL: B
AMB: 40 °C
SFA:

**Disconnect Power Before Making Any
Electrical Connections or Changes**

TO REVERSE ROTATION
INTERCHANGE ORG AND YEL LEADS



MFG. NO. PROT. CODE : 7A000 AVG.F.L

EFF.

MTR REF: K55HXRWA-2365



E37403



258501

Mfd for Dayton Electric Mfg. Co., Lake Forest, IL 60045 USA

Made in China