

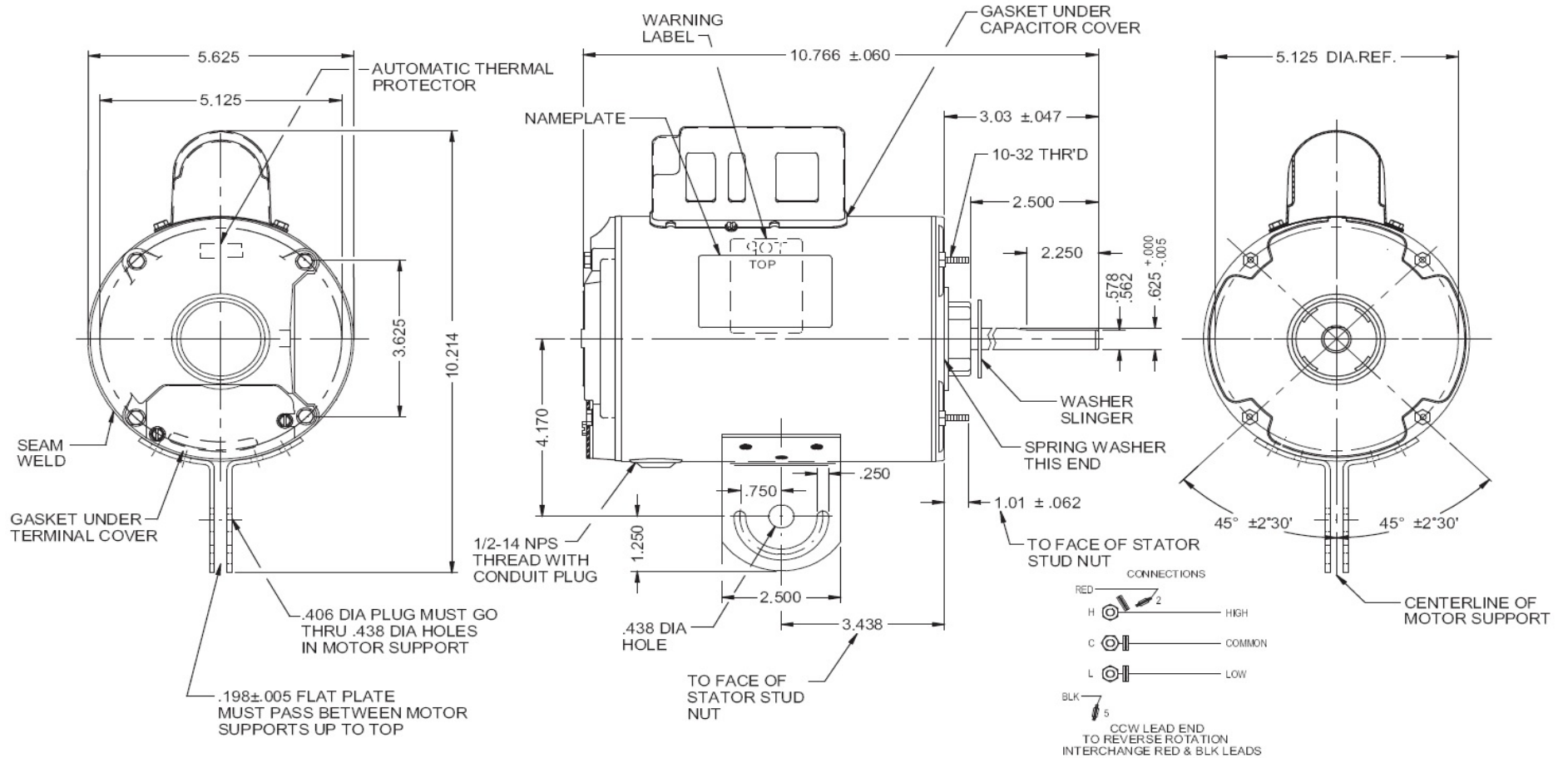
Dimensional Drawing



3M505BG

REV.
-

MODEL	REF	CUSTOMER	HP	VOLTS	AMPS	HZ	RPM	ROTATION	CUSTOMER PN	DESCRIPTION / REMARKS
K55HXJWT-2292	-----	GRAINGER	1/2	115	7.2	60	1075 / 2SPD	CCW LEAD END, REV	3M505BG	48YZ, TEAO, BALL BEARING.



DRAWING NO. PAGE 1 of 1 REV.
3M505BG -

Performance Data



3M505BG

REV.
-

MOTOR PERFORMANCE

HP:	1/2HP								
Poles:	6P								
No. of Speeds:	2	High	Low						
Volts:	115	115	115						
HZ:	60	60	60						
Service Factor:	1								
Efficiency:	@ Rated Load								
Power Factor:	@ Rated Load								
Amps:	@ No Load								
	@ Rated Load	6	4.4						
	@ Service Factor	N/A	N/A						
	@ Locked Rotor	19	N/A						
RPM:	@ Rated Load	1131	1075						
Ambient (°C):	40								
Altitude (FASL):									
Torques:	Breakdown	67.1	34.5						
	Locked Rotor	12	N/A						
	Pull-Up	12	N/A						
	Rated Load	37	29.2						
	Service Factor	N/A	N/A						
Watts:	Rated Load	547	423						
KVA Code:									
Temperature Rise:	@ Rated Load	TEAO	TEAO						
	@ Service Factor								
Thermal Protector:	Trip Temp (°C)								
Winding Material:	Start (Auxiliary)	Cu							
	Run (Main)	Cu							
Capacitor(s):	Start (MFD / Volts)	N/A							
	No. of Start Capacitors								
	Run (MFD / Volts)	N/A							
	No. of Run Capacitors								

PERFORMANCE DATA:

HP:									
Poles:									
Volts:									
HZ:									
Efficiency:	@ Rated Load								
Power Factor:	@ Rated Load								
Amps:	@ No Load								
	@ Rated Load								
	@ Service Factor								
	@ Locked Rotor								
Torques:	@ Rated Load								
	Locked Rotor								
	Pull-Up								
	Rated Load								
	Service Factor								
Watts:	@ Rated Load								
Temperature Rise:	@ Rated Load								
	@ Service Factor								

DRAWING NO. PAGE 1 of 1 REV.
3M505BG -

Performance Data



3M505BG

REV.

-

Dayton Manufacturing Company

Motor Description

Model: K055JWT2292 3M505
 Motor ID: 1/1
 Poles: 6
 Volts: 115
 Frequency: 60
 HP: 1/2
 Speed: 1075/2
 Phase: 1
 Protector: 7AM

Test Conditions

Test Type: Run
 Test Number: 1
 Poles: 6
 Volts: 115
 Hz: 60
 Rotation:
 Special Cond:
 Speed Conn: M1
 TestBoard: Amtps Performance Fixture #3
 Run Cap: 12.5 uf 370v
 Start Cap:
 Environment:
 Tested: 4/15/2015 8:49:50 AM
 Tested By: Sharp, Gerald
 Gear Ratio: 1:1
 Bearing Friction: -0.38 Oz-Ft
 Windage Torque: -1.45 Oz-Ft

Special Points	Vline (V)	Vaux (V)	Vcap(V)	Iline (A)	Watts	RPM	Tq(Oz-ft)	HP	Eff(%)	PF(%)
	115.0	275.9	335.4	3.761	146.9	1197	0.00	0.000	0.0	34.0
	115.0	271.0	325.8	3.871	226.9	1185	7.99	0.113	37.0	51.0
	115.0	265.7	313.5	4.346	322.0	1171	17.29	0.241	55.8	64.4
	115.0	260.3	303.2	4.947	408.2	1159	25.04	0.346	63.1	71.7
	115.0	253.8	292.8	5.592	492.1	1145	32.09	0.437	66.3	76.5
0.5 HP	115.0	248.9	285.6	6.036	547.5	1136	36.99	0.500	68.1	78.9
	115.0	246.3	282.0	6.262	574.0	1131	39.03	0.525	68.3	79.7
	115.0	237.7	270.6	6.974	654.8	1115	45.25	0.601	68.4	81.6
7.2 AMPS	115.0	234.9	266.9	7.200	679.2	1110	47.11	0.623	68.4	82.0
	115.0	228.3	258.6	7.724	733.8	1098	50.97	0.666	67.8	82.6
	115.0	218.4	246.8	8.490	810.6	1080	55.43	0.713	65.6	83.0
1075 RPM	115.0	215.2	243.1	8.738	833.9	1075	56.65	0.725	64.9	83.0
	115.0	208.0	235.0	9.273	884.7	1061	59.43	0.751	63.3	83.0
	115.0	197.6	223.6	10.057	956.7	1040	62.67	0.776	60.5	82.7
	115.0	186.7	212.5	10.832	1023.6	1018	64.82	0.785	57.2	82.2
	115.0	175.6	201.7	11.618	1089.2	992	66.58	0.787	53.9	81.5
	115.0	164.4	191.6	12.365	1148.7	966	66.94	0.769	50.0	80.8
BDT OZ-FT	115.0	162.1	189.7	12.514	1160.2	960	67.14	0.767	49.3	80.6
	115.0	153.2	182.6	13.102	1202.0	935	66.99	0.746	46.3	79.8
	115.0	142.4	174.5	13.815	1251.8	904	65.81	0.708	42.2	78.8
	115.0	131.7	167.7	14.494	1296.0	869	64.07	0.663	38.1	77.8
	115.0	121.3	162.3	15.137	1333.5	832	61.57	0.610	34.1	76.6
	115.0	111.5	158.1	15.728	1365.0	790	58.97	0.555	30.3	75.5
	115.0	102.1	155.2	16.291	1393.6	745	55.06	0.489	26.2	74.4
	115.0	93.4	153.4	16.799	1417.2	698	50.99	0.424	22.3	73.4
	115.0	85.0	152.5	17.271	1436.3	648	47.11	0.363	18.9	72.3
	115.0	77.5	152.7	17.698	1452.4	593	42.98	0.304	15.6	71.4
	115.0	69.9	153.0	18.078	1464.7	534	38.19	0.243	12.4	70.5
	115.0	62.9	154.1	18.413	1472.2	471	33.22	0.186	9.4	69.5
	115.0	56.3	155.9	18.680	1477.0	403	29.18	0.140	7.1	68.8
	115.0	51.3	159.1	18.890	1483.1	332	25.36	0.100	5.0	68.3
	115.0	48.1	162.9	19.066	1490.5	255	22.13	0.067	3.4	68.0
	115.0	46.0	166.7	19.197	1495.8	175	18.82	0.039	2.0	67.8

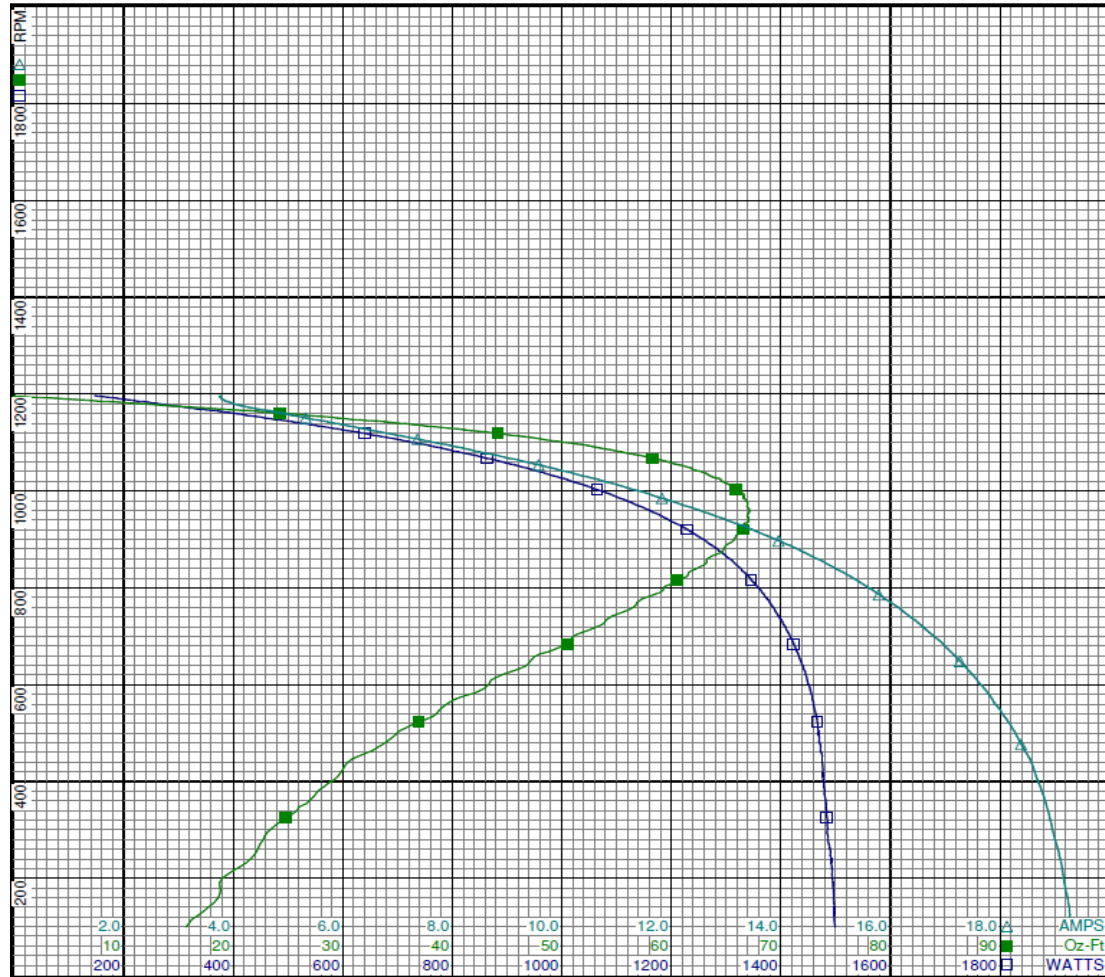
DRAWING NO.	PAGE 1 of 4	REV.
	3M505BG	-

Performance Data



3M505BG

REV.
-



Curve Descriptions:
 Motor(1) Test 1 Run 115V 60 Hz 6P
 M1
 □ SPEED vs WATTS
 ■ SPEED vs TORQUE
 △ SPEED vs ILine

Motor Ratings:
 K055JWT2292 3M505

DRAWING NO. PAGE 2 of 4 REV.
3M505BG -

Dayton Electric Mfg. Co. Lake Forest, IL 60045 USA

Performance Data



3M505BG

REV.

-

Dayton Manufacturing Company

Motor Description

Model: K055JWT2292 3M505
 Motor ID: 1/1
 Poles: 6
 Volts: 115
 Frequency: 60
 HP: 1/2
 Speed: 1075/2
 Phase: 1
 Protector: 7AM

Test Conditions

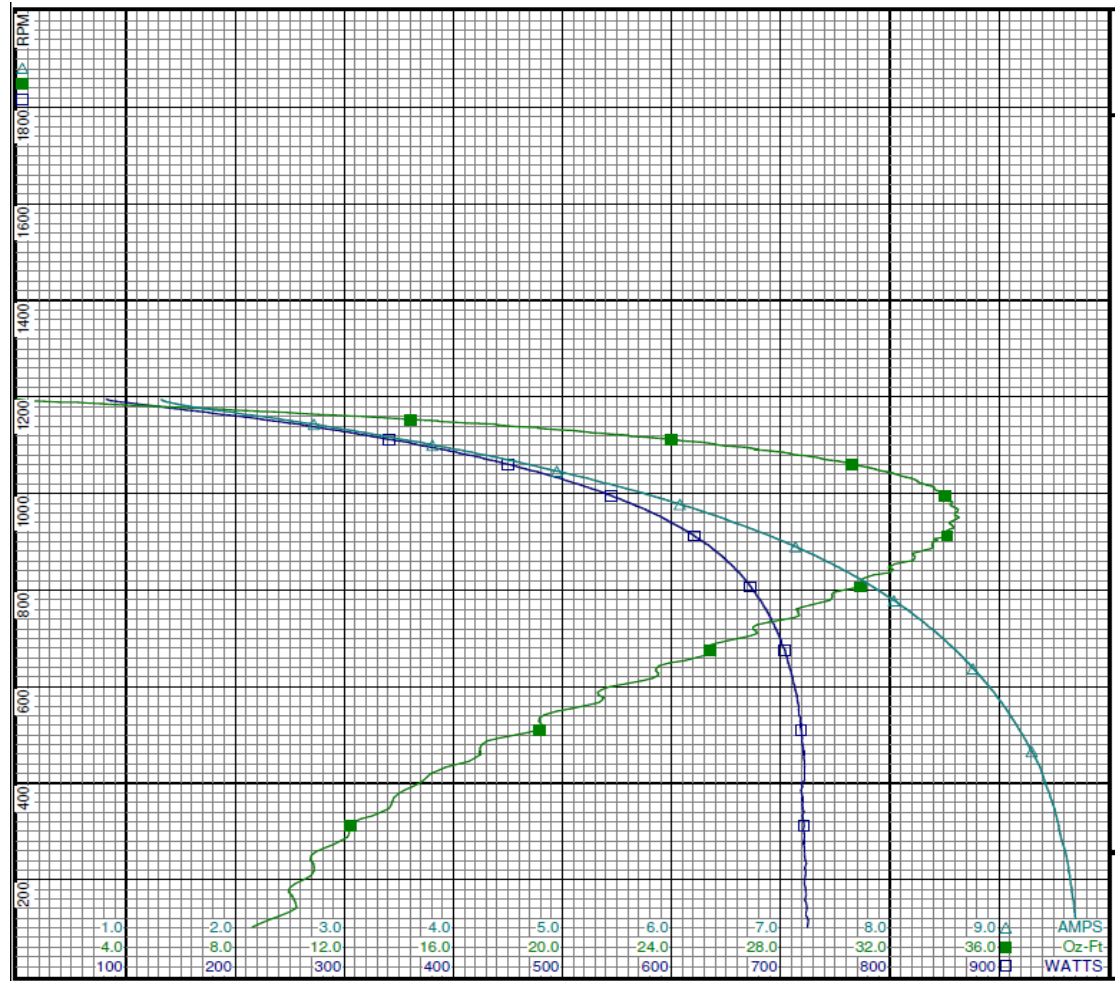
Test Type: Run
 Test Number: 2
 Poles: 6
 Volts: 115
 Hz: 60
 Rotation:
 Special Cond:
 Speed Conn: M2
 TestBoard: Amtps Performance Fixture #3
 Run Cap: 12.5 uf 370v
 Start Cap:
 Environment:
 Tested: 4/15/2015 10:16:52 AM
 Tested By: Sharp, Gerald
 Gear Ratio: 1:1
 Bearing Friction: -0.38 Oz-Ft
 Windage Torque: -1.44 Oz-Ft

Special Points	Vline (V)	Vaux (V)	Vcap(V)	Iline (A)	Watts	RPM	Tq(Oz-ft)	HP	Eff(%)	PF(%)
	115.0	218.3	219.8	1.319	81.6	1195	0.00	0.000	0.0	53.8
	115.0	212.4	220.2	1.570	126.7	1181	4.99	0.070	41.3	70.2
	115.0	203.6	220.6	1.992	176.0	1167	9.98	0.139	58.8	76.8
	115.0	195.1	221.0	2.469	229.9	1151	14.95	0.205	66.5	81.0
	115.0	187.9	215.8	2.859	271.5	1138	18.43	0.250	68.6	82.6
	115.0	181.4	207.4	3.217	309.2	1124	21.38	0.286	69.1	83.6
	115.0	174.1	198.3	3.617	350.5	1108	24.48	0.323	68.8	84.2
	115.0	166.5	189.5	4.011	388.4	1091	27.16	0.353	67.8	84.2
1075 RPM	115.0	159.3	181.5	4.383	423.0	1075	29.24	0.374	66.0	83.9
	115.0	158.9	181.1	4.403	424.7	1074	29.34	0.375	65.9	83.9
	115.0	150.9	172.6	4.791	459.7	1054	31.16	0.391	63.5	83.4
	115.0	143.0	164.6	5.183	493.7	1033	32.59	0.401	60.6	82.8
	115.0	134.9	156.9	5.579	525.9	1010	33.62	0.404	57.3	82.0
	115.0	126.9	149.9	5.961	555.5	986	33.91	0.398	53.4	81.0
	115.0	118.9	143.4	6.344	583.8	958	34.38	0.392	50.1	80.0
BDT OZ-FT	115.0	116.6	141.6	6.451	591.4	950	34.53	0.390	49.3	79.7
	115.0	110.9	137.6	6.712	608.7	928	34.33	0.379	46.5	78.9
	115.0	103.0	132.6	7.067	630.9	896	33.56	0.358	42.3	77.6
7.2 AMPS	115.0	100.1	131.0	7.200	638.8	883	33.32	0.350	40.9	77.2
	115.0	95.3	128.5	7.404	650.3	861	32.85	0.337	38.6	76.4
	115.0	88.0	125.5	7.719	666.3	823	31.01	0.304	34.0	75.1
	115.0	81.0	123.4	8.008	679.7	783	29.87	0.278	30.6	73.8
	115.0	74.6	122.1	8.283	691.4	738	28.02	0.246	26.5	72.6
	115.0	68.4	121.5	8.534	700.5	689	25.61	0.210	22.4	71.4
	115.0	62.5	121.5	8.763	708.3	637	23.43	0.178	18.7	70.3
	115.0	57.2	121.9	8.971	714.6	582	21.33	0.148	15.4	69.3
	115.0	52.1	122.9	9.154	718.2	523	19.21	0.120	12.4	68.2
	115.0	47.1	124.2	9.318	720.8	458	16.97	0.093	9.6	67.3
	115.0	43.1	125.7	9.436	719.7	392	14.48	0.068	7.0	66.3
	115.0	39.7	127.8	9.540	720.8	319	12.36	0.047	4.9	65.7
	115.0	37.6	130.7	9.623	722.3	241	10.75	0.031	3.2	65.3
	115.0	36.3	133.3	9.678	722.2	158	10.16	0.019	2.0	64.9

DRAWING NO.	PAGE 3 of 4	REV.
	3M505BG	-

3M505BG

REV.
-



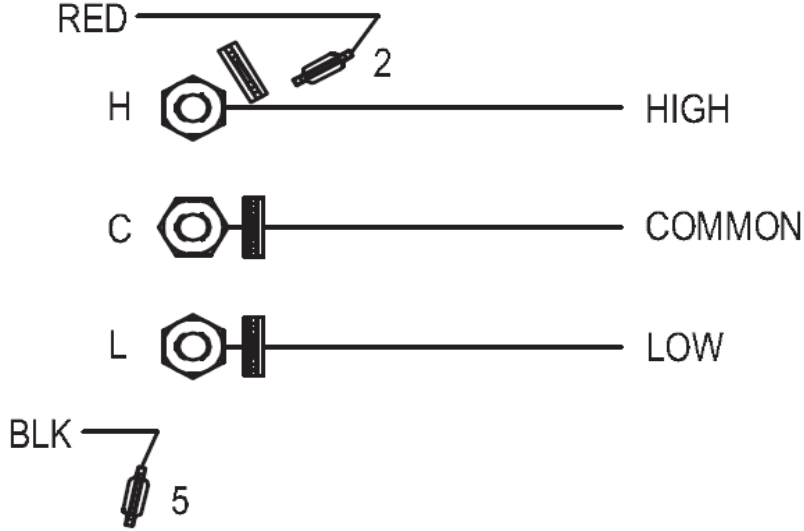
Curve Descriptions:
 Motor(1) Test 2 Run 115V 60 Hz 6P M2
 □ SPEED vs WATTS
 ■ SPEED vs TORQUE
 △ SPEED vs ILine

Motor Ratings:
 K055JW2292 3M505

DRAWING NO.	PAGE 4 of 4	REV.
3M505BG		-

3M505BG REV.
-

CONNECTIONS



CCW LEAD END
TO REVERSE ROTATION
INTERCHANGE RED & BLK LEADS

DRAWING NO.	PAGE 1 of 1	REV.
3M505BG		-

Dayton[®]

AIR CIRCULATOR MOTOR

HP: 1/2

VOLTS: 115

AMPS: 7.2

RPM: 1075/2SPD

DUTY: CONT

SF: 1.0

KVA CODE: P

ENCL: TEAO

THERMALLY PROTECTED: AUTO

MFG. NO. PROT. CODE: 7A010

MTR REF: K55HXJWT-2292

PH: 1

HZ: 60

FR: 48YZ

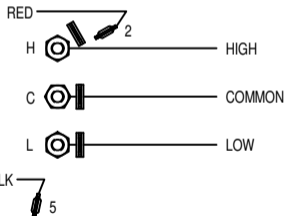
INS CL: B

AMB: 40 °C

SFA: 7.2

AVG. F.L.
EFF.Part
No 3M505BG**Disconnect Power Before Making Any
Electrical Connections or Changes**

CONNECTIONS

**CCW LEAD END
TO REVERSE ROTATION
INTERCHANGE RED & BLK LEADS**

E37403



258501

Mfd for Dayton Electric Mfg. Co., Lake Forest, IL 60045 USA

Made in Mexico