

Dimensional Drawing



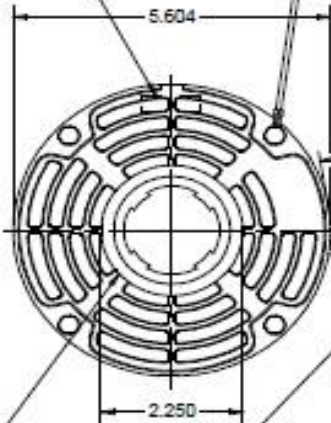
3LU83BH

REV.
-

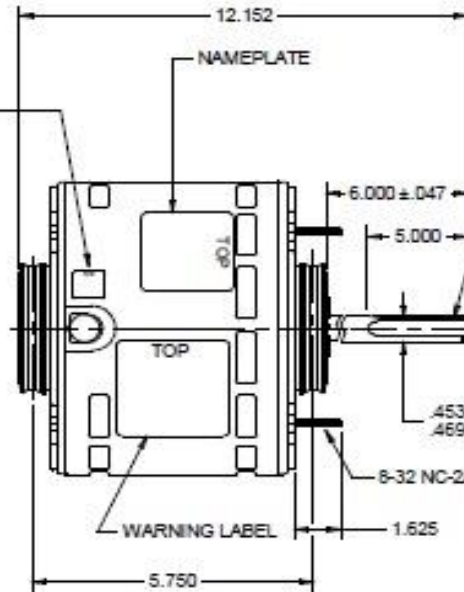
MODEL	REF	CUSTOMER	HP	VOLTS	AMPS	Hz	RPM	ROTATION	CUSTOMER PN	DESCRIPTION / REMARKS
KSSHXXKDE-2276		DAYTON	1/2	115	7.1	60	1075	C.CW. LEAD END REV	3LU83BH	SAB

#16 GRN/YEL GROUND LEAD TO BE 12±.250 BETWEEN CENTERS OF TERMS. TERM. TO FIT #10 SCREW.

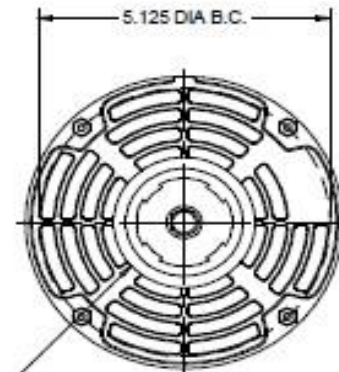
AUTOMATIC THERMAL PROTECTOR



WARNING LABEL TO BE ADJACENT TO REVERSING LEADS



DOUBLE SHAFT FLAT 90° APART



SEAM WELD

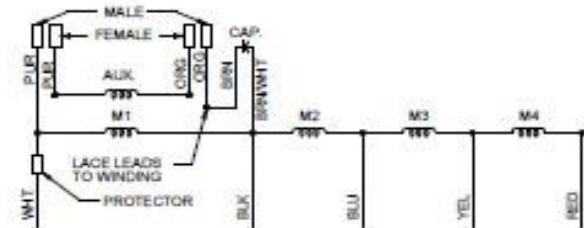
.750±.052 SKINNED

(2).250 FLAG TYPE Q.C. TERMS.

6 LEADS, #18, .031 THICK INSUL. TO EXTEND BEYOND MOTOR.
 WHT = 30.000 +2 -0, BLK = 30.000 +2 -0, YEL = 30.000 +2 -0,
 BLU = 30.000 +2 -0, RED = 30.000 +2 -0,
 BRN = 30.000 +2 -0, BRN/WHIT = 30.000 +2 -0

ROTATION: CCW VIEWING LEAD END WITH ORG-ORG AND PUR-PUR. TO REV. ROTATION INTERCHANGE ORG. AND PUR LEADS.

ROTATION: C.CW. LEAD END REV



DIMENSIONS UNITS, INCHES

DRAWING NO.	PAGE 1 of 1	REV.
	3LU83BH	-

3LU83BH

REV.
-

SHADED-POLE & PSC MOTOR PERFORMANCE

HP:	1/2							
Poles:	6							
Ambient (°C):	40							
Altitude (FASL):	1000							
No. of Speeds:	4							
HIGH SPEED								
Volts:	115	115	208	230	277	460	100	200
HZ:	60	60	60	60	60	60	50	50
Service Factor:	1.0							
Efficiency:	@ Rated Load	58.7						
Power Factor:	@ Rated Load	78.5						
Amps:	@ No Load	5.3						
	@ Rated Load	8.6						
	@ Locked Rotor	17.2						
RPM:	@ Rated Load	1075						
Torques: Oz.Ft.	Breakdown	57						
	Locked Rotor	9.6						
	Pull-Up							
	Rated Load	47.6						
	Service Factor	1.0						
Watts:	Rated Load	776						
Temperature Rise:	@ Rated Load							
Thermal Protector:	Trip Temp (°C)	140~150						
Winding Material:	Start (Auxiliary)	Copper						
	Run (Main)	Copper						
Capacitor:	Run (MFD / Volts)	7.5 MFD 370V						
	No. of Run Capacitors	1						

MEDIUM-HIGH SPEED

HP:	1/2							
Volts:	115	115	208	230	277	460	100	200
HZ:	60	60	60	60	60	60	50	50
Efficiency:	@ Rated Load							
Power Factor:	@ Rated Load							
Amps:	@ No Load	3.1						
	@ Rated Load							
	@ Locked Rotor							
Torques: Oz.Ft.	Breakdown	40.3						
	Locked Rotor							
	Pull-Up							
	Rated Load							
Watts:	Rated Load							
Temperature Rise:	@ Rated Load							

DRAWING NO. PAGE REV.
3LU83BH -

3LU83BH

REV.
-

SHADED-POLE & PSC MOTOR PERFORMANCE

MEDIUM-LOW SPEED

HP:	1/2							
Volts:	115	115	208	230	277	460	100	200
HZ:	60	60	60	60	60	60	50	50
Efficiency:	@ Rated Load							
Power Factor:	@ Rated Load							
Amps:	@ No Load	2.1						
	@ Rated Load							
Torques: Oz.Ft.	Breakdown	30						
	Locked Rotor							
	Pull-Up							
	Rated Load							
Watts:	Rated Load							
Temperature Rise:	@ Rated Load							
Watts:	Rated Load							
Temperature Rise:	@ Rated Load							
Thermal Protector:	Trip Temp (°C)	140~150						
Winding Material:	Start (Auxiliary)	Copper						
	Run (Main)	Copper						

LOW SPEED

HP:	1/2							
Volts:	115	120	208	230	277	460	100	200
HZ:	60	60	60	60	60	60	50	50
Efficiency:	@ Rated Load							
Power Factor:	@ Rated Load							
Amps:	@ No Load	1.6						
	@ Rated Load							
Torques: Oz.Ft.	Breakdown	23.3						
	Locked Rotor							
	Pull-Up							
	Rated Load							
Watts:	Rated Load							
Temperature Rise:	@ Rated Load							

Notes:

DRAWING NO. PAGE REV.
3LU83BH -

Performance Data



3LU83BH

REV.

-

Dayton Manufacturing Company

Motor Description

Model: 3LU83BH
 Motor ID: 1
 Poles: 6
 Volts: 115
 Frequency: 60
 HP: 1/2
 Speed: 1075/4
 Phase: 1
 Protector:

Test Conditions

Test Type: Run
 Test Number: 1
 Poles: 6
 Volts: 115
 Hz: 60
 Rotation:
 Special Cond:
 Speed Conn: HI
 TestBoard: Amtps Performance Fixture #4
 Run Cap: 7.5
 Start Cap: 0µfd
 Environment: 20.8 Deg C 50 % RH 997 hPa
 Tested: 3/22/2012 9:31:48 AM
 Tested By: Sharp, Gerald
 Gear Ratio: 1:1
 Bearing Friction: -0.96 Oz-Ft
 Windage Torque: -2.06 Oz-Ft

Special Points	Vline (V)	Vaux (V)	Vcap (V)	Iline (A)	Imain (A)	Iaux (A)	Watts	RPM	Tq(Oz-ft)	HP	Eff (%)	PF (%)	Cap
	115.0	359.8	380.2	4.731	4.878	1.094	155.6	1194	0.00	0.000	0.0	28.6	7.6
	115.0	356.8	375.2	4.744	4.799	1.079	192.0	1188	3.66	0.052	20.1	35.2	7.6
	115.0	353.0	369.3	4.843	4.794	1.064	235.6	1182	7.93	0.112	35.3	42.3	7.6
	115.0	349.6	363.7	4.999	4.858	1.050	278.6	1174	11.96	0.167	44.8	48.5	7.7
	115.0	345.1	356.9	5.235	4.997	1.032	330.7	1165	16.59	0.230	51.9	54.9	7.7
	115.0	339.7	349.6	5.528	5.204	1.012	385.5	1156	21.22	0.292	56.5	60.6	7.7
	115.0	334.8	342.6	5.860	5.472	0.990	438.4	1143	25.62	0.348	59.3	65.1	7.7
	115.0	325.3	331.1	6.345	5.890	0.958	512.2	1131	31.33	0.422	61.4	70.2	7.7
	115.0	314.1	318.2	6.937	6.446	0.920	589.4	1119	36.65	0.488	61.8	73.9	7.7
0.5 HP	115.0	311.8	315.6	7.069	6.573	0.912	605.4	1115	37.66	0.500	61.6	74.5	7.7
	115.0	302.1	304.4	7.593	7.081	0.879	667.4	1102	41.60	0.546	61.0	76.4	7.7
	115.0	289.5	290.1	8.317	7.803	0.838	746.6	1084	46.12	0.595	59.5	78.1	7.7
1075 RPM	115.0	284.8	284.8	8.582	8.071	0.821	775.5	1075	47.64	0.610	58.7	78.6	7.6
	115.0	273.0	271.7	9.259	8.759	0.784	841.2	1060	50.42	0.637	56.4	79.0	7.7
	115.0	259.5	257.3	9.988	9.523	0.741	913.6	1038	53.29	0.659	53.8	79.5	7.6
	115.0	241.6	238.5	10.955	10.526	0.688	1000.9	1008	55.61	0.668	49.8	79.5	7.6
	115.0	221.1	217.6	12.039	11.662	0.628	1092.7	970	56.89	0.657	44.9	78.9	7.7
BDT OZ-FT	115.0	215.0	211.8	12.345	11.982	0.611	1115.7	959	56.96	0.650	43.5	78.6	7.7
	115.0	202.1	199.4	12.997	12.668	0.576	1166.0	932	56.53	0.627	40.1	78.0	7.7
	115.0	185.2	184.1	13.825	13.541	0.532	1225.0	893	55.24	0.588	35.8	77.0	7.7
	115.0	169.3	170.5	14.590	14.354	0.493	1276.2	852	53.05	0.538	31.4	76.1	7.7
	115.0	154.4	159.1	15.263	15.070	0.463	1315.7	809	50.40	0.486	27.5	75.0	7.7
	115.0	140.4	149.2	15.891	15.739	0.435	1350.2	763	47.30	0.430	23.7	73.9	7.7
	115.0	127.7	141.6	16.433	16.319	0.414	1377.6	717	43.99	0.375	20.3	72.9	7.8
	115.0	116.2	135.6	16.909	16.833	0.397	1399.9	668	40.31	0.321	17.1	72.0	7.8
	115.0	105.1	130.8	17.329	17.287	0.384	1416.4	619	36.61	0.270	14.2	71.1	7.8
	115.0	95.3	127.6	17.703	17.693	0.375	1431.2	568	32.81	0.222	11.6	70.3	7.8
	115.0	85.6	125.0	18.037	18.055	0.368	1441.8	513	28.97	0.177	9.2	69.5	7.8
	115.0	76.6	123.6	18.315	18.362	0.365	1449.4	457	25.45	0.138	7.1	68.8	7.8
	115.0	67.5	123.3	18.550	18.625	0.361	1454.5	399	22.35	0.106	5.4	68.2	7.8
	115.0	60.4	124.8	18.729	18.832	0.365	1460.4	338	19.43	0.078	4.0	67.8	7.8
	115.0	54.9	127.1	18.874	18.999	0.372	1464.2	274	16.74	0.055	2.8	67.5	7.8
	115.0	49.7	129.5	18.999	19.145	0.379	1469.7	207	13.84	0.034	1.7	67.3	7.8
	115.0	45.4	133.0	19.087	19.255	0.390	1472.3	129	10.66	0.016	0.8	67.1	7.8

DRAWING NO. PAGE 1 of 8 REV.
 3LU83BH -

Performance Data



3LU83BH

REV.

-



Curve Descriptions:
 Motor(1) Test 1 Run 115V 60 Hz 6P
 HI 7.5ufd Run
 □ SPEED vs WATTS
 ■ SPEED vs TORQUE
 △ SPEED vs ILine

Motor Ratings:
 (1) 3LU83BH

-2.0 4.0 6.0 8.0 10.0 12.0 14.0 16.0 18.0 Δ AMPS
 -10 20 30 40 50 60 70 80 90 ■ Oz-Ft
 200 400 600 800 1000 1200 1400 1600 1800 □ WATTS

DRAWING NO. PAGE 2 of 8 REV.
 3LU83BH -

Performance Data



3LU83BH

REV.

-

Dayton Manufacturing Company

Motor Description

Model: 3LU83BH
 Motor ID: 1
 Poles: 6
 Volts: 115
 Frequency: 60
 HP: 1/2
 Speed: 1075/4
 Phase: 1
 Protector:

Test Conditions

Test Type: Run
 Test Number: 3
 Poles: 6
 Volts: 115
 Hz: 60
 Rotation:
 Special Cond:
 Speed Conn: MED-HI
 TestBoard: Amtps Performance Fixture #4
 Run Cap: 7.5
 Start Cap: 0µfd
 Environment: 20.8 Deg C 50 % RH 997 hPa
 Tested: 3/22/2012 9:29:42 AM
 Tested By: Sharp, Gerald
 Gear Ratio: 1:1
 Bearing Friction: -0.98 Oz-Ft
 Windage Torque: -2.09 Oz-Ft

Special Points	Vline(V)	Vaux(V)	Vcap(V)	Iline(A)	Imain(A)	Iaux(A)	Watts	RPM	Tq(Oz-ft)	HP	Eff(%)	PF(%)	Cap
	115.0	328.0	343.0	2.906	2.999	0.983	118.5	1192	0.00	0.000	0.0	35.5	7.6
	115.0	323.7	335.4	3.005	2.977	0.961	152.0	1186	3.31	0.047	22.9	44.0	7.6
	115.0	317.2	326.0	3.172	3.020	0.937	192.8	1178	7.12	0.100	38.7	52.9	7.6
	115.0	310.5	316.7	3.373	3.133	0.911	228.7	1170	10.38	0.144	47.1	59.0	7.6
	115.0	304.3	308.0	3.659	3.336	0.886	273.0	1159	14.13	0.195	53.3	64.9	7.6
	115.0	298.1	299.8	3.966	3.579	0.862	317.2	1148	17.66	0.241	56.7	69.5	7.6
	115.0	288.0	287.7	4.386	3.950	0.828	372.1	1136	21.88	0.296	59.3	73.8	7.6
	115.0	278.0	275.8	4.850	4.391	0.793	426.8	1122	25.79	0.345	60.2	76.5	7.6
	115.0	266.7	262.5	5.370	4.899	0.756	484.5	1106	29.24	0.385	59.3	78.4	7.6
	115.0	254.7	248.7	5.925	5.460	0.716	543.0	1088	32.57	0.422	58.0	79.7	7.6
1075 RPM	115.0	247.2	240.0	6.283	5.825	0.691	579.3	1075	34.37	0.440	56.6	80.2	7.6
	115.0	243.0	235.0	6.479	6.026	0.677	598.3	1067	35.27	0.448	55.9	80.3	7.6
	115.0	228.4	219.0	7.157	6.730	0.631	663.3	1043	37.67	0.468	52.6	80.6	7.6
	115.0	214.3	203.8	7.775	7.381	0.588	718.8	1018	39.20	0.475	49.3	80.4	7.7
	115.0	199.8	188.6	8.415	8.057	0.545	773.1	988	39.83	0.469	45.2	79.9	7.7
BDT OZ-FT	115.0	193.4	182.1	8.694	8.354	0.527	795.9	975	40.28	0.467	43.8	79.6	7.7
	115.0	185.5	174.2	9.023	8.704	0.505	822.2	957	40.03	0.456	41.4	79.2	7.7
	115.0	171.2	160.7	9.607	9.338	0.468	866.7	922	39.38	0.432	37.2	78.4	7.7
	115.0	157.5	148.5	10.149	9.922	0.433	903.8	886	38.35	0.404	33.4	77.4	7.7
	115.0	144.8	138.0	10.644	10.452	0.403	936.4	847	36.73	0.370	29.5	76.5	7.8
	115.0	132.9	129.0	11.090	10.935	0.378	962.2	806	34.81	0.334	25.9	75.4	7.8
	115.0	122.3	122.0	11.477	11.351	0.358	984.3	765	32.75	0.298	22.6	74.6	7.8
	115.0	111.9	115.9	11.843	11.752	0.341	1004.2	721	30.40	0.261	19.4	73.7	7.8
	115.0	102.6	111.3	12.162	12.098	0.328	1020.3	676	28.00	0.225	16.5	72.9	7.8
	115.0	93.0	107.7	12.463	12.431	0.319	1032.8	628	25.39	0.190	13.7	72.1	7.9
	115.0	84.1	105.0	12.725	12.719	0.312	1044.0	578	22.77	0.157	11.2	71.3	7.9
	115.0	75.7	103.1	12.961	12.980	0.306	1051.5	525	20.27	0.127	9.0	70.5	7.9
	115.0	67.2	101.7	13.166	13.212	0.301	1058.9	468	17.79	0.099	7.0	69.9	7.8
	115.0	58.8	101.6	13.337	13.404	0.300	1061.8	410	15.12	0.074	5.2	69.2	7.8
	115.0	51.4	103.0	13.459	13.548	0.303	1067.1	349	13.58	0.056	3.9	68.9	7.8
	115.0	44.4	106.8	13.571	13.686	0.314	1070.6	285	11.41	0.039	2.7	68.6	7.8
	115.0	39.2	108.5	13.650	13.781	0.317	1073.1	213	9.80	0.025	1.7	68.4	7.7
	115.0	33.8	110.4	13.725	13.872	0.323	1076.0	142	7.56	0.013	0.9	68.2	7.8

DRAWING NO. PAGE 3 of 8 REV.
 3LU83BH -

Performance Data



3LU83BH REV.
-



Dayton

Curve Descriptions:
 Motor(1) Test 3 Run 115V 60 Hz 6P
 MED-HI 7.5ufd Run
 □ SPEED vs WATTS
 ■ SPEED vs TORQUE
 △ SPEED vs ILine

Motor Ratings:
 (1) 3LU83BH

DRAWING NO. PAGE 4 of 8 REV.
3LU83BH -

Performance Data



3LU83BH

REV.

-

Dayton Manufacturing Company

Motor Description

Model: 3LU83BH
 Motor ID: 1
 Poles: 6
 Volts: 115
 Frequency: 60
 HP: 1/2
 Speed: 1075/4
 Phase: 1
 Protector:

Test Conditions

Test Type: Run
 Test Number: 4
 Poles: 6
 Volts: 115
 Hz: 60
 Rotation:
 Special Cond:
 Speed Conn: MED-LO
 TestBoard: Amtps Performance Fixture #4
 Run Cap: 7.5
 Start Cap: 0µfd
 Environment: 20.8 Deg C 50 % RH 997 hPa
 Tested: 3/22/2012 9:28:11 AM
 Tested By: Sharp, Gerald
 Gear Ratio: 1:1
 Bearing Friction: -0.89 Oz-Ft
 Windage Torque: -2.22 Oz-Ft

Special Points	Vline (V)	Vaux (V)	Vcap (V)	Iline (A)	Imain (A)	Iaux (A)	Watts	RPM	Tq(Oz-ft)	HP	Eff (%)	PF (%)	Cap
	115.0	297.7	307.6	2.037	2.105	0.883	93.7	1191	0.00	0.000	0.0	40.0	7.6
	115.0	293.0	297.8	2.193	2.111	0.852	126.1	1184	2.89	0.041	24.1	50.0	7.6
	115.0	283.2	284.2	2.393	2.184	0.816	163.9	1175	6.42	0.090	40.8	59.6	7.6
	115.0	275.7	275.7	2.605	2.335	0.792	193.7	1166	8.96	0.124	47.9	64.7	7.6
	115.0	269.6	267.4	2.872	2.539	0.767	229.2	1153	11.85	0.163	53.0	69.4	7.6
	115.0	262.7	257.9	3.171	2.787	0.741	269.0	1141	14.99	0.204	56.5	73.8	7.6
	115.0	252.7	245.8	3.548	3.137	0.706	313.1	1128	18.20	0.244	58.2	76.7	7.6
	115.0	242.8	233.7	3.951	3.529	0.672	357.9	1113	21.09	0.279	58.2	78.8	7.6
	115.0	232.3	221.1	4.380	3.960	0.637	403.2	1095	23.65	0.308	57.0	80.1	7.6
	115.0	221.6	208.6	4.808	4.408	0.601	445.3	1076	25.85	0.331	55.5	80.5	7.6
1075 RPM	115.0	221.1	208.0	4.830	4.430	0.600	447.4	1075	25.94	0.332	55.3	80.6	7.6
	115.0	210.3	195.6	5.266	4.880	0.564	488.9	1054	27.57	0.346	52.8	80.7	7.6
	115.0	198.5	182.5	5.727	5.366	0.527	530.6	1031	28.84	0.354	49.8	80.6	7.7
	115.0	186.4	169.4	6.192	5.862	0.490	570.8	1004	29.59	0.354	46.2	80.2	7.7
BDT OZ-FT	115.0	174.9	157.3	6.630	6.332	0.457	606.4	977	29.94	0.348	42.8	79.5	7.7
	115.0	174.9	157.3	6.630	6.332	0.457	606.4	977	29.94	0.348	42.8	79.5	7.7
	115.0	163.2	145.3	7.063	6.800	0.423	640.3	945	29.69	0.334	38.9	78.8	7.7
	115.0	152.0	134.7	7.459	7.229	0.393	668.9	913	29.16	0.317	35.4	78.0	7.7
	115.0	141.4	125.2	7.830	7.633	0.366	694.3	879	28.17	0.295	31.7	77.1	7.8
	115.0	131.0	116.8	8.179	8.011	0.342	716.3	841	27.03	0.271	28.2	76.2	7.8
	115.0	121.5	109.6	8.491	8.356	0.322	735.2	804	25.52	0.244	24.8	75.3	7.8
	115.0	112.3	103.7	8.778	8.669	0.306	750.9	764	24.07	0.219	21.8	74.4	7.8
	115.0	103.5	98.9	9.041	8.960	0.292	764.1	721	22.35	0.192	18.7	73.5	7.8
	115.0	95.3	94.9	9.283	9.229	0.282	776.2	676	20.56	0.166	15.9	72.7	7.9
	115.0	87.2	91.9	9.492	9.472	0.273	784.4	629	18.68	0.140	13.3	71.9	7.9
	115.0	79.7	89.9	9.691	9.694	0.268	793.1	579	16.56	0.114	10.7	71.2	7.9
	115.0	72.1	88.3	9.866	9.891	0.264	799.5	524	14.35	0.090	8.4	70.5	7.9
	115.0	65.0	87.4	10.017	10.065	0.261	802.6	468	12.49	0.070	6.5	69.7	7.9
	115.0	57.6	87.4	10.135	10.204	0.259	806.8	408	11.04	0.054	5.0	69.2	7.9
	115.0	50.5	89.4	10.228	10.318	0.262	807.9	347	9.41	0.039	3.6	68.7	7.8
	115.0	44.5	92.1	10.310	10.417	0.272	811.3	280	8.20	0.027	2.5	68.4	7.8
	115.0	39.5	94.2	10.378	10.499	0.276	813.5	213	6.78	0.017	1.6	68.2	7.8
	115.0	34.5	95.9	10.429	10.565	0.280	815.5	141	5.21	0.009	0.8	68.0	7.8

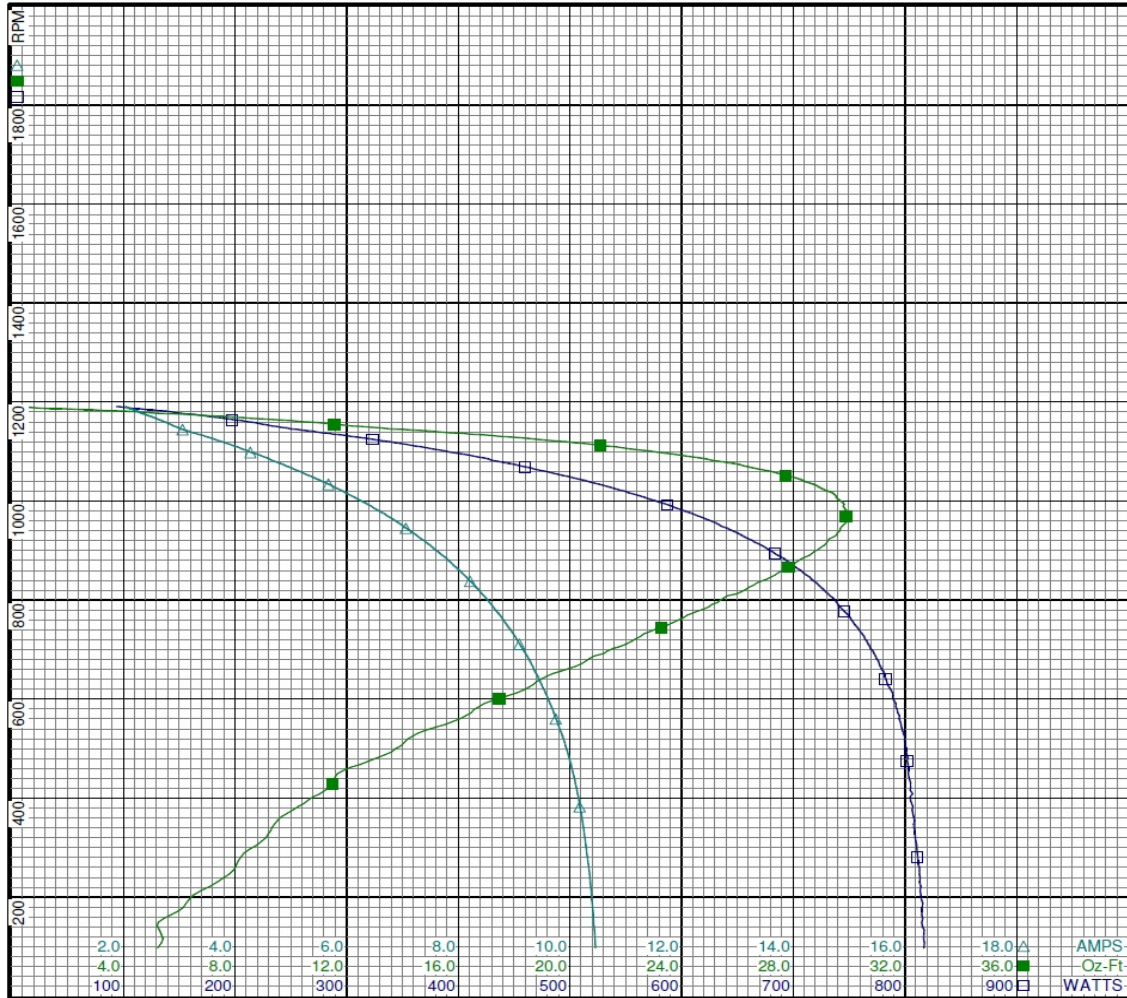
DRAWING NO. PAGE 5 of 8 REV.
3LU83BH -

Performance Data



3LU83BH

REV.
-



Curve Descriptions:
 Motor(1) Test 4 Run 115V 60 Hz 6P
 MED-LO 7.5ufd Run
 □ SPEED vs WATTS
 ■ SPEED vs TORQUE
 △ SPEED vs ILine

Motor Ratings:
 (1) 3LU83BH

DRAWING NO.	PAGE 6 of 8	REV.
3LU83BH		-

Performance Data



3LU83BH REV.
-

Dayton Manufacturing Company

Motor Description

Model: 3LU83BH
 Motor ID: 1
 Poles: 6
 Volts: 115
 Frequency: 60
 HP: 1/2
 Speed: 1075/4
 Phase: 1
 Protector:

Test Conditions

Test Type: Run Run Cap: 7.5
 Test Number: 5 Start Cap: 0µfd
 Poles: 6 Environment: 20.8 Deg C 50 % RH 997 hPa
 Volts: 115 Tested: 3/22/2012 9:11:16 AM
 Hz: 60 Tested By: Sharp, Gerald
 Rotation: Gear Ratio: 1:1
 Special Cond: Bearing Friction: -0.86 Oz-Ft
 Speed Conn: LO Windage Torque: -2.15 Oz-Ft
 TestBoard: Amps Performance Fixture #4

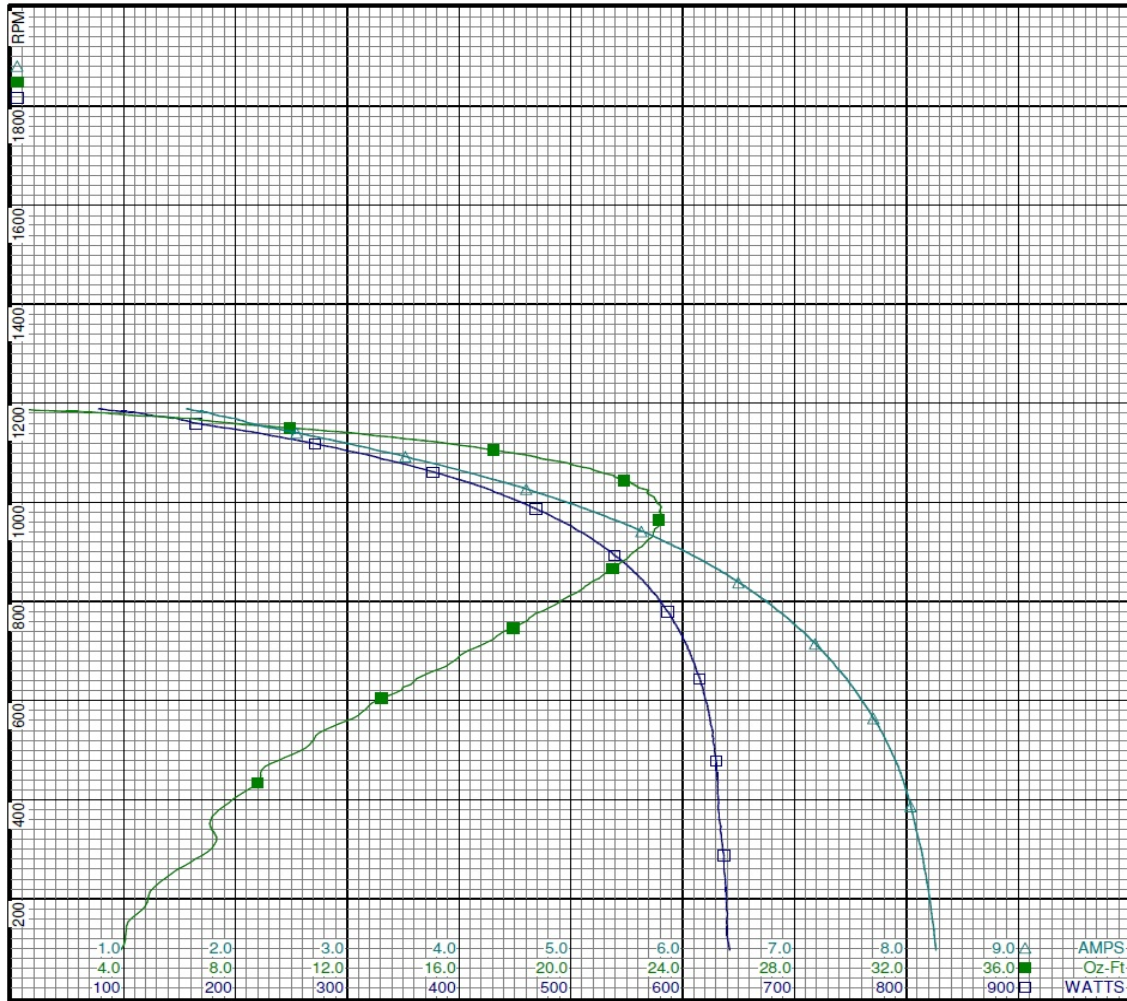
Special Points	Vline (V)	Vaux (V)	Vcap (V)	Iline (A)	Imain (A)	Iaux (A)	Watts	RPM	Tq(Oz-ft)	HP	Eff (%)	PF (%)	Cap
	115.0	271.5	276.8	1.563	1.610	0.792	77.5	1189	0.00	0.000	0.0	43.1	7.6
	115.0	265.4	264.0	1.740	1.625	0.755	108.2	1182	2.85	0.040	27.6	54.1	7.6
	115.0	254.7	250.0	1.932	1.713	0.717	139.3	1172	5.74	0.080	42.8	62.7	7.6
	115.0	248.5	243.6	2.107	1.850	0.699	161.8	1161	7.75	0.107	49.4	66.8	7.6
	115.0	242.6	234.8	2.362	2.038	0.674	196.2	1149	10.27	0.140	53.4	72.2	7.6
	115.0	234.6	224.5	2.642	2.288	0.644	229.4	1136	12.81	0.173	56.3	75.5	7.6
	115.0	226.4	213.9	2.942	2.570	0.615	263.6	1122	15.22	0.203	57.5	77.9	7.6
	115.0	217.6	202.8	3.263	2.889	0.583	298.0	1105	17.25	0.227	56.8	79.4	7.6
	115.0	208.3	191.8	3.591	3.227	0.551	330.9	1088	19.01	0.246	55.5	80.1	7.6
1075 RPM	115.0	201.6	183.8	3.836	3.481	0.529	355.1	1075	20.11	0.257	54.1	80.5	7.6
	115.0	198.9	180.3	3.944	3.593	0.519	365.7	1068	20.70	0.263	53.7	80.6	7.6
	115.0	189.3	169.1	4.294	3.964	0.488	398.5	1047	21.78	0.271	50.8	80.7	7.7
	115.0	179.6	158.0	4.640	4.334	0.458	429.1	1024	22.78	0.278	48.3	80.4	7.7
	115.0	169.6	146.9	4.985	4.709	0.427	457.0	999	23.09	0.275	44.8	79.7	7.7
BDT OZ-FT	115.0	161.1	137.7	5.279	5.026	0.401	480.7	974	23.26	0.270	41.9	79.2	7.7
	115.0	159.9	136.5	5.316	5.066	0.397	483.1	971	23.25	0.269	41.5	79.0	7.7
	115.0	150.4	126.9	5.631	5.408	0.370	507.2	942	22.98	0.258	37.9	78.3	7.7
	115.0	141.4	118.0	5.926	5.731	0.345	528.7	911	22.55	0.244	34.5	77.6	7.8
	115.0	132.3	109.9	6.210	6.044	0.322	547.6	878	21.78	0.228	31.0	76.7	7.8
	115.0	123.8	102.6	6.471	6.332	0.302	564.6	843	20.85	0.209	27.6	75.9	7.8
	115.0	115.5	96.5	6.710	6.597	0.284	578.0	806	19.77	0.190	24.5	74.9	7.8
	115.0	107.5	91.2	6.935	6.847	0.270	590.1	767	18.51	0.169	21.4	74.0	7.8
	115.0	100.1	87.0	7.141	7.076	0.258	600.4	724	17.23	0.148	18.4	73.1	7.9
	115.0	92.6	83.5	7.330	7.289	0.249	609.1	680	15.83	0.128	15.7	72.3	7.9
	115.0	85.6	80.8	7.502	7.485	0.242	616.7	632	14.27	0.107	13.0	71.5	7.9
	115.0	78.9	79.1	7.655	7.660	0.237	622.4	583	12.67	0.088	10.5	70.7	7.9
	115.0	72.4	77.9	7.796	7.820	0.233	626.6	529	10.88	0.069	8.2	69.9	8.0
	115.0	66.1	77.1	7.915	7.960	0.231	630.1	472	9.25	0.052	6.2	69.2	7.9
	115.0	59.9	77.3	8.005	8.069	0.230	631.1	413	8.26	0.041	4.8	68.6	7.9
	115.0	53.9	79.1	8.075	8.156	0.233	633.2	352	7.08	0.030	3.5	68.2	7.8
	115.0	48.2	82.1	8.143	8.239	0.239	636.9	287	6.81	0.023	2.7	68.0	7.7
	115.0	43.8	83.8	8.198	8.308	0.245	638.6	215	4.95	0.013	1.5	67.7	7.8
	115.0	39.8	85.1	8.241	8.364	0.250	639.5	144	4.10	0.007	0.8	67.5	7.8

DRAWING NO. PAGE 7 of 8 REV.
3LU83BH -

Performance Data



3LU83BH REV.
-



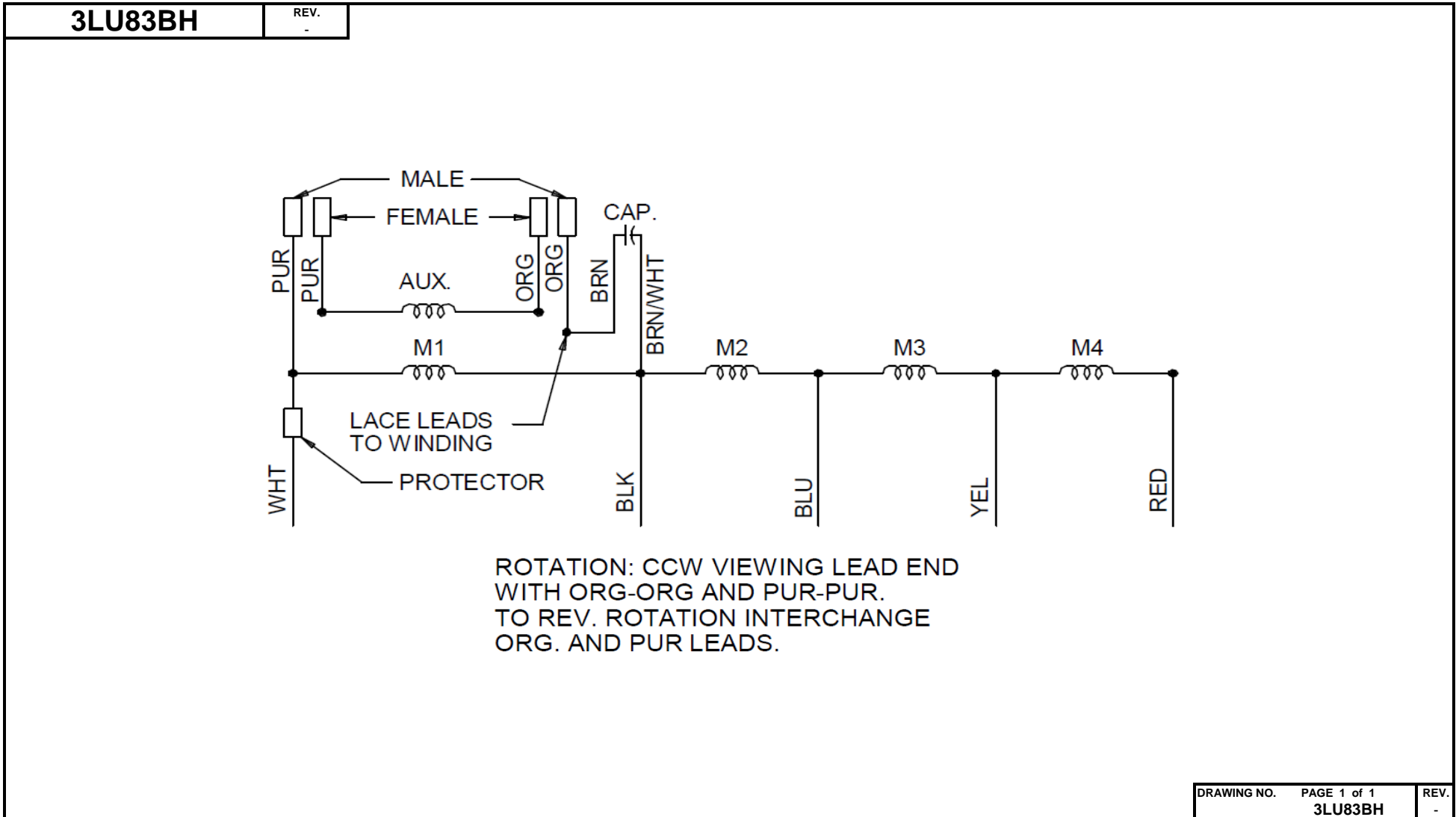
Curve Descriptions:
 Motor(1) Test 5 Run 115V 60 Hz 6P
 LO 7.5ufd Run
 □ SPEED vs WATTS
 ■ SPEED vs TORQUE
 △ SPEED vs ILine

Motor Ratings:
 (1) 3LU83BH

DRAWING NO. PAGE 8 of 8 REV.
3LU83BH -

©2019 W.W. Grainger, Inc. This design may not be reproduced, modified or redistributed without written permission from W.W. Grainger, Inc.

Wiring Diagram



Dayton Electric Mfg. Co. Lake Forest, IL 60045 USA

©2019 W.W. Grainger, Inc. This design may not be reproduced, modified or redistributed without written permission from W.W. Grainger, Inc.

Dayton®

DIRECT DRIVE BLOWER MOTOR

HP: 1/2
VOLTS: 115
AMPS: 7.1
RPM: 1075 /4SPD
DUTY: CONT
SF: 1.0
KVA CODE:
ENCL: OAO
THERMALLY PROTECTED: AUTO

BAR CODE

Part No 3LU83BH

PH: 1
HZ: 60
FR: 48YZ
INS CL: B
AMB: 40 °C
SFA:

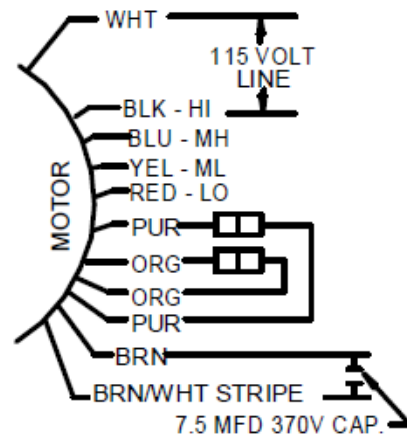
Disconnect Power Before Making Any
Electrical Connections or Changes

TO REVERSE ROTATION
INTERCHANGE ORG
AND PUR LEADS

MFG. NO. PROT. CODE : 7A010

AVG.F.L
EFF.

MTR REF: K55HXKDE-2276



E37403



258501

Mfd for Dayton Electric Mfg. Co., Lake Forest, IL 60045 USA

Made in China