

Document Number	Revision	Revision Date	Product Date Code Beginning With
L4281	Rev. D	06/2022	B

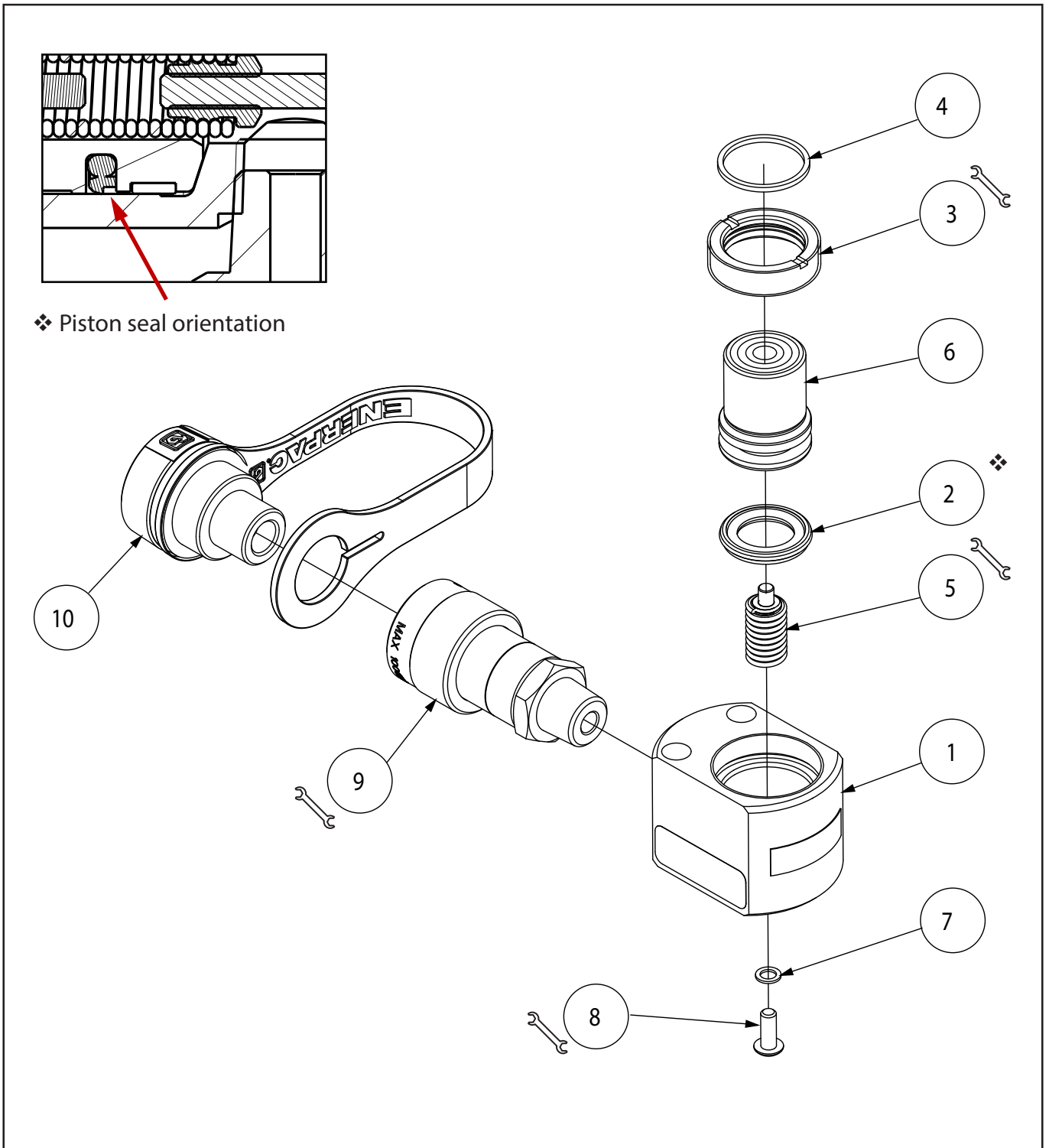


Figure 1, RC Hydraulic Cylinder, 5 Ton

Repair Parts List, Figure 1			
Item	Description	Qty	RC50
1	Base	1	N/A
2	Piston Seal	1	▲ ●
3	Stop Ring	1	CR34044
4	Wiper	1	▲ ✕
5	Spring Assembly	1	RC5K30
6	Plunger	1	RC50040
7	Copper Gasket	1	▲ ■
8	Screw, Button Head Socket #10-32 x .50"	1	▲ ■
9	Coupler	1	CR400
10	Dust Cap ▲	1	CD411
N/S	O-ring, coupler	1	▲
N/S	Enerpac Decal	1	▲
N/S	Warning Decal	1	▲

Notes:

- ▲ Indicated item included in and available as a part of the Repair Kit RC5NK0<sup>(1)</sup>
- Indicated item included in and available as a part of the Spring Assembly
- Indicated item included in and available as packs of 10 units in Seal Kit RC5NKS (see below)
- ✕ Indicated item included in and available as packs of 10 units in Wiper Kit RC5NKW2 (see below)

● ✕ Kits only available in America

<sup>(1)</sup>Viton® seals are available in the RC5NK0V seal kit. Viton® equipped coupler CR400V can also be ordered separately for a complete conversion.



Item nr.	Torque/ remark
3	Secure with Loctite 222 and torque to 70-90 in-lbs [7.9-10.2 Nm]
5	Secure with Loctite 222 and torque to 40-50 in-lbs [3.5-5.5 Nm]
8	Torque to 40-50 in-lbs [3.5-5.5 Nm]
9	Torque to 40-60 ft-lbs [54-81 Nm]
	Use Loctite 545 or Teflon Tape