

Twist-Lock® Devices
 30A, 125V AC, 2 Pole, 3 Wire Grounding
 Watertight Safety-Shroud® Receptacle

HUBBELL

Features

- High impact, thermoplastic housing for heavy-duty industrial environments
- Alignment arrows with lock and unlock symbols provide a visual indication that devices are properly connected
- Catalog number and color coded voltage rating are visible even when in use



30A 125V
 NEMA L5-30R
 UL/CSA
 2 HP



Ordering Information

Description	Device Color	UPC	Catalog Number
PBT housing and flange.	Gray	783585231587	HBL2610SW

Listings

Listed to UL 498
 Fed. Spec. W-C-596
 Certified to CSA C22.2 No.42
 UL Listed, CSA Certified to Type 4, 4X and Type 12

Specifications

Housing / Cover	Gray RPT
Terminal Retainer	Clear polycarbonate
Body Contact Carrier	Natural (white) nylon
Drive Screws	Steel, zinc plated
Contacts	Brass
Lift-Cover Spring & Pin	Stainless Steel

Performance

Electrical

Current Interrupting	Certified for current interrupting at full rated current
Dielectric Voltage	Withstands 2,000V minimum

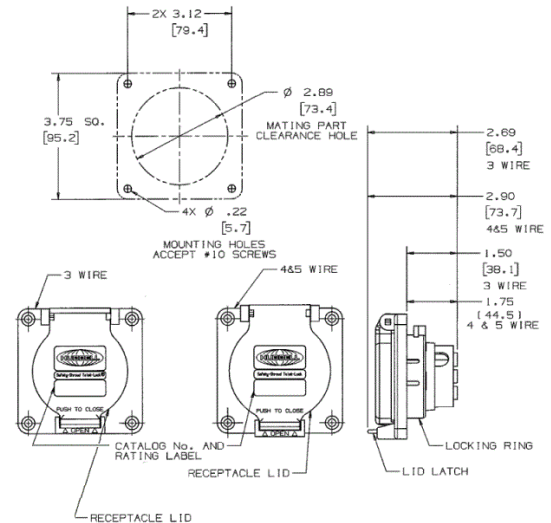
Mechanical

Terminal Accommodation	#16 AWG - #8 AWG solid or stranded copper wire only.
------------------------	--

Terminal Identification	Terminals identified in accordance with UL 498
-------------------------	--

Environmental

Flammability	V2 or better per UL94/CSA 22.2 No.0.17
Moisture Resistance	IP20 Suitability
Operating Temperatures	Maximum Continuous 75°C; Minimum -40°C (w/o impact)



Accessories

Watertight Safety Shroud Plug	HBL2611SW
Non-Metallic Backbox	BB2030N
2-Gang Weatherproof Box	HBL2030AP
Adapter Plate	
Mechanical Interlock	HBLMITL

Resources

Customer Use Drawing
 eCatalog

Dimensions in Inches (mm)

Hubbell Wiring Device-Kellems • Hubbell Incorporated (Delaware) • 40 Waterview Drive • Shelton, CT 06484

Phone (800) 288-6000 • Fax (800) 255-1031 • Specifications subject to change without notice.

