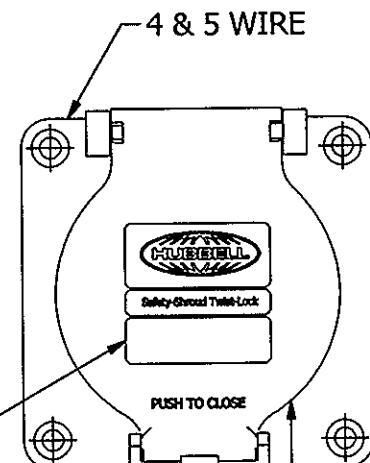
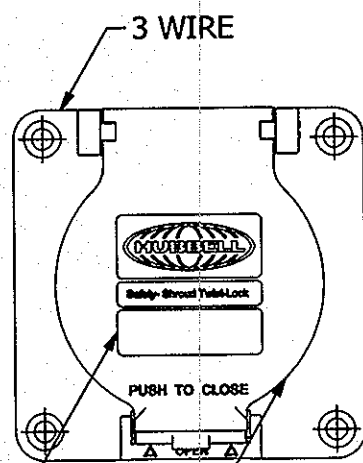
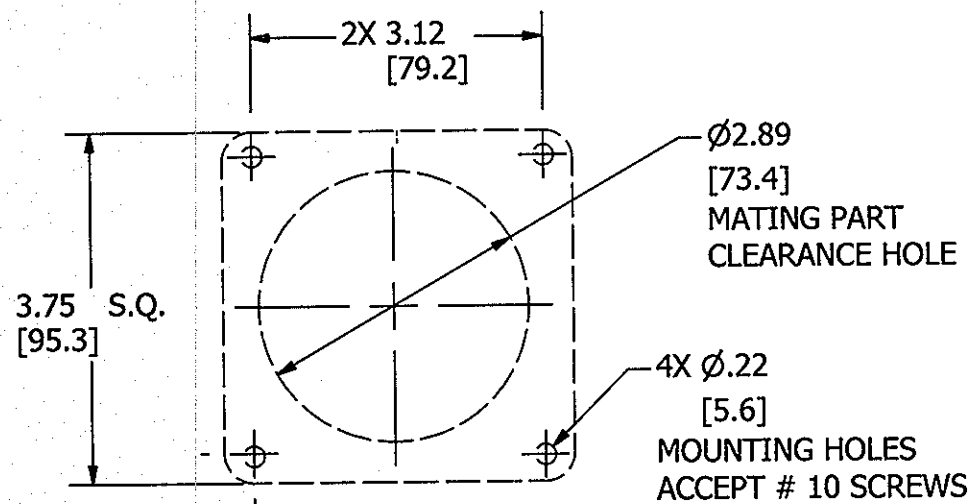


M-7316

7

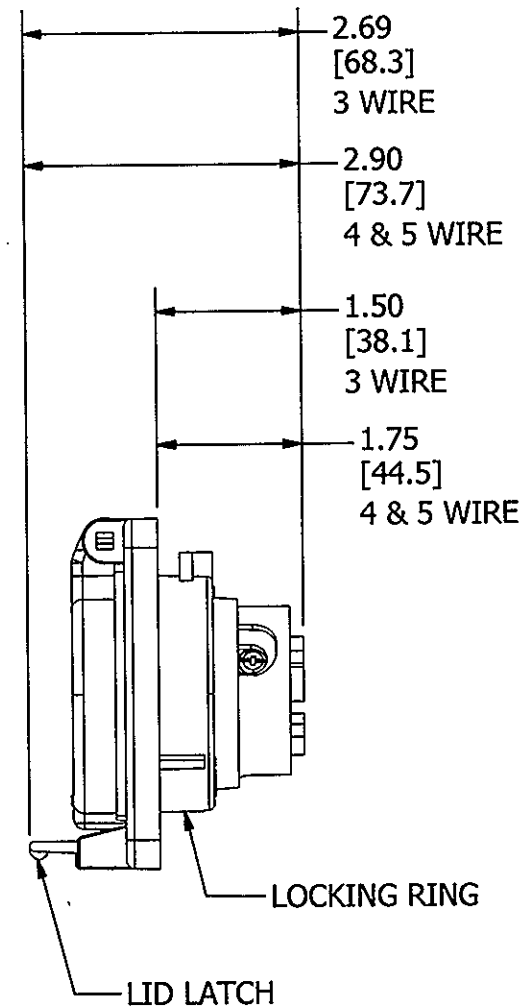


CATALOG NO. AND RATING LABEL

RECEPTACLE LID

CATALOG NO. AND RATING LABEL

RECEPTACLE LID

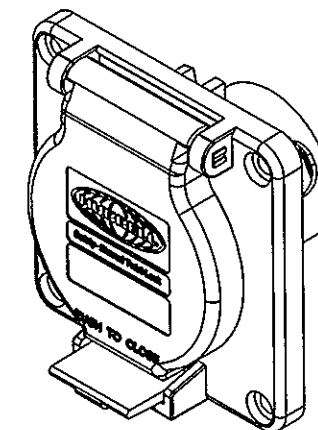


	RECEPTACLE ¹	CONFIGURATION RATING	MATING ¹ PLUG	MATING NEMA PLUG ²		IEC COLOR CODE
	CATALOG #		CATALOG #	NEMA #	HUBBELL	
3 WIRE	HBL2310SW	20A 125V	HBL2311SW	L5-20P	HBL2311	YELLOW
	HBL2320SW	20A 250V	HBL2321SW	L6-20P	HBL2321	BLUE
	HBL2330SW	20A 277VAC	HBL2331SW	L7-20P	HBL2331	GRAY
	HBL2410SW	20A 125/250V	HBL2411SW	L14-20P	HBL2411	ORANGE
4 WIRE	HBL2420SW	20A 250V 3Ø	HBL2421SW	L15-20P	HBL2421	BLUE
	HBL2430SW	20A 480V 3Ø	HBL2431SW	L16-20P	HBL2431	RED
5 WIRE	HBL2510SW	20A 120/208V 3ØY	HBL2511SW	L21-20P	HBL2511	BLUE
3 WIRE	HBL2610SW	30A 125V	HBL2611SW	L5-30P	HBL2611	YELLOW
	HBL2620SW	30A 250V	HBL2621SW	L6-30P	HBL2621	BLUE
4 WIRE	HBL2710SW	30A 125/250V	HBL2711SW	L14-30P	HBL2711	ORANGE
	HBL2720SW	30A 250V 3Ø	HBL2721SW	L15-30P	HBL2721	BLUE
	HBL2730SW	30A 480V 3Ø	HBL2731SW	L16-30P	HBL2731	RED
	HBL2740SW	30A 600V 3Ø	HBL2741SW	L17-30P	HBL2741	BLACK
5 WIRE	HBL2810SW	30A 120/208V 3ØY	HBL2811SW	L21-30P	HBL2811	BLUE
	HBL2830SW	30A 347/600V 3ØY	HBL2831SW	L23-30P	HBL2831	BLACK

¹TYPES 4, 4X, 12 WHEN CLOSED OR CONNECTED ² TYPES 1 WHEN CONNECTED

NOTES: (UNLESS OTHERWISE SPECIFIED)
 1) DIMENSIONS ARE INCHES [mm].
 2) U.L. LISTED, CSA CERTIFIED

LIST OF PARTS		
DESCRIPTION	MATERIAL	FINISH
RECEPTACLE	PBTP	
HOUSING, LID	PBTP	
LOCKING RING	PBTP	
GASKET	CBR	
DRIVE SCREW	STEEL	ZINC PLATED
SCREWS	SST	



CATALOG NO. HBL2310SW
(NOT SHOWN TO SCALE)

7	REDRAWN WITH EMBEDDED CAD MODEL WITH NO CHANGES TO PART GEOMETRY. PER DCN 21895 SPN	DJP	2/5/16
REV	DESCRIPTION	APP	DATE

THE DESIGN AND DIMENSIONS OF THE PRODUCT SHOWN ON THIS DRAWING ARE SUBJECT TO CHANGE WITHOUT NOTICE

TITLE
 SAFETY-SHROUD™ TWIST-LOCK®
 RECEPTACLES

TOLERANCES UNLESS OTHERWISE SPECIFIED		WIRING DEVICE-KELLEMS HUBBELL INCORPORATED SHELTON, CT	
.XX = ± .01	.XXX = ± .005	DR. BY EEM	APP. BY JC A
ANGLES = ± 2'		TR. BY	SCALE 1:2
		CHK. BY JC A	DATE 10/5/94