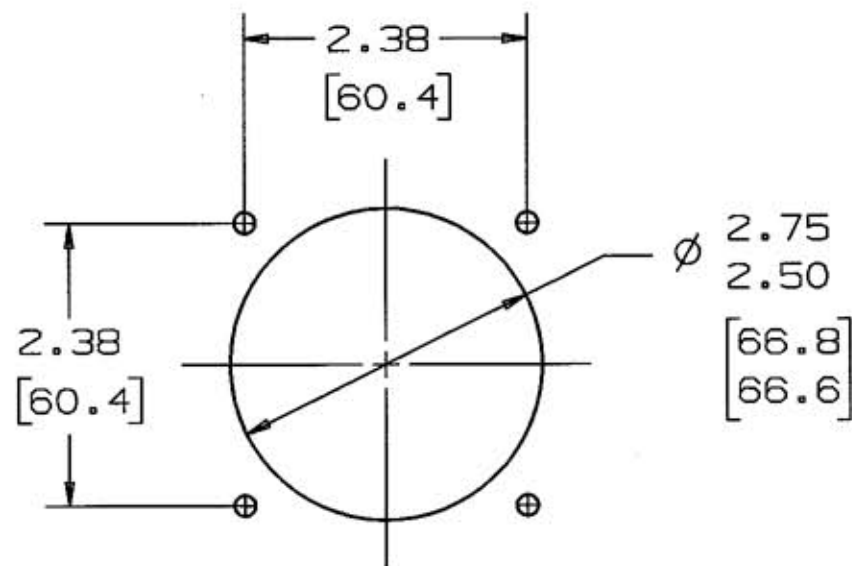
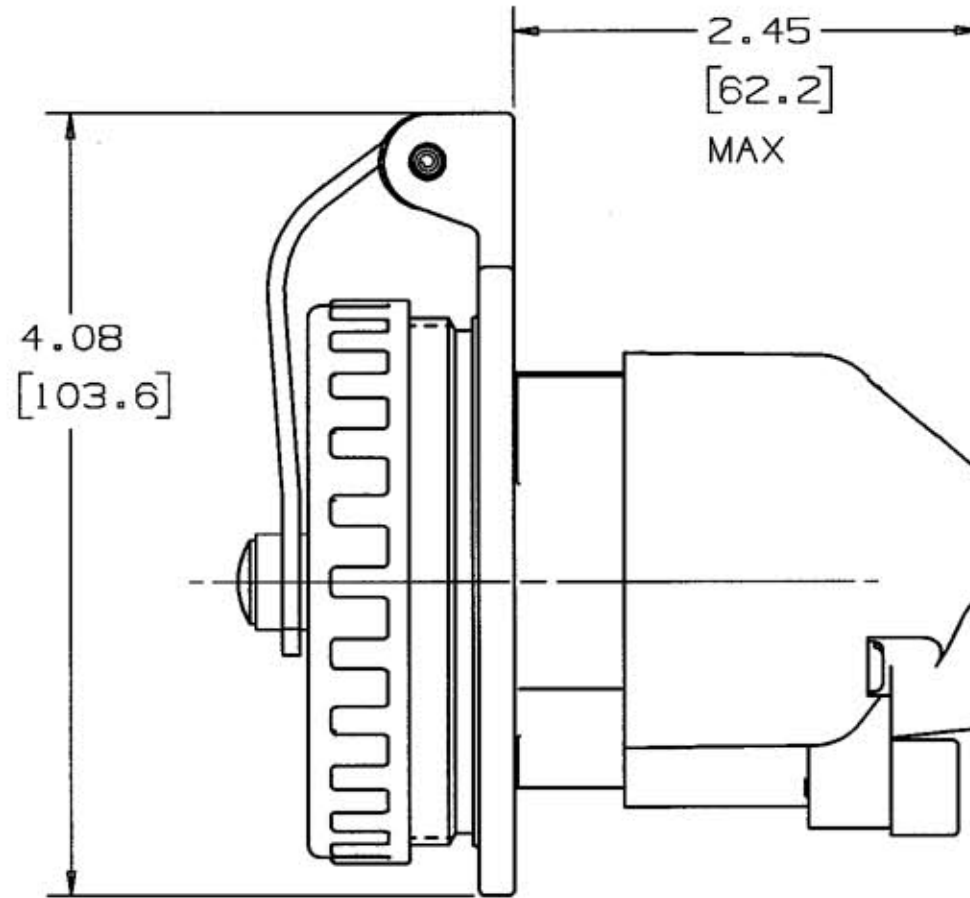
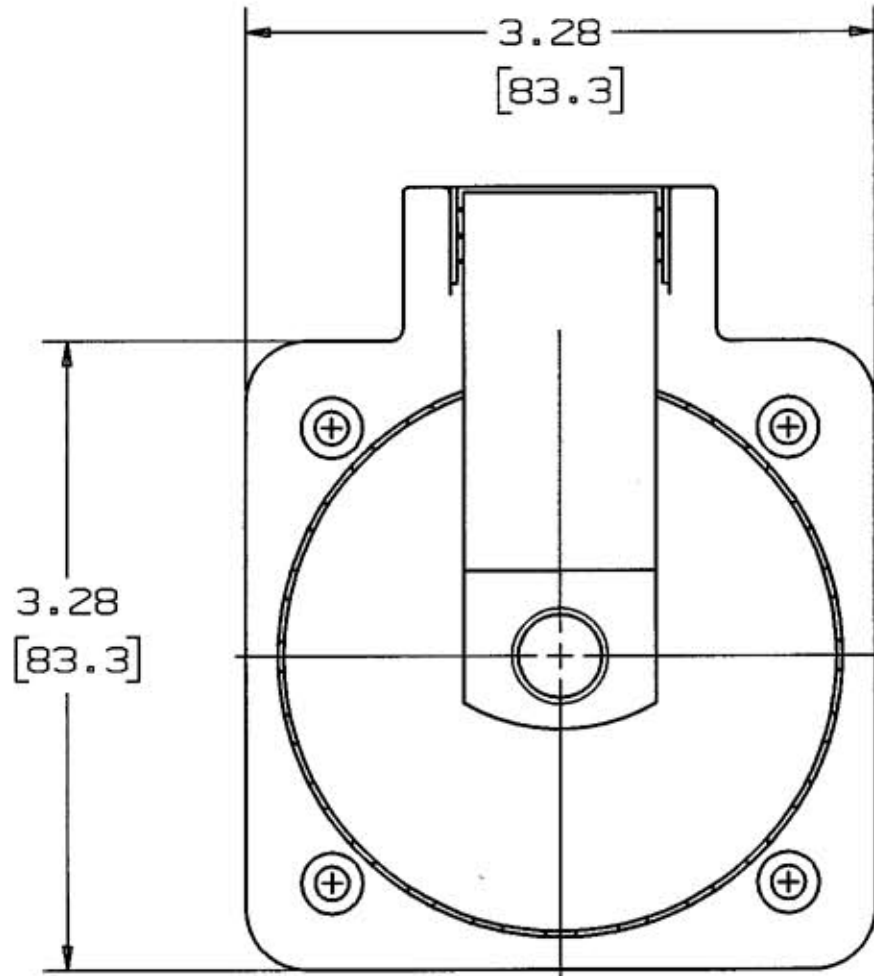


# M-7808 3



CUTOUT OPENING

NOTE: INCHES  
[ MM ]

CATALOG NO.	AMPERAGE	VOLTAGE
HBL332SSX	32A	230V
HBL303SS	30A	125V
HBL316SSX	16A	230V

## LIST OF PARTS

DESCRIPTION	MATERIAL	FINISH
INLET COVER & FLANGE ASSY	ST. STEEL	
INTERIOR	NYLON	
BLADES	BRASS	NICKEL PLATE
INTERIOR SCREWS	ST. STEEL	
MOUNTING SCREWS	BRASS	CHROME
STRAIN RELIEF	NYLON	
STRAIN RELIEF SCREWS	ST. STEEL	
GASKETS	NEOPRENE	

SYM	REVISIONS	APP	DATE
3	ADDED MM TO DIMS.; ADDED 3.28, TABLE & CUTOUT OPENING (W/DIMS) PER DCN #8685 RCM	TCM	11/19/01
2	2.38 WAS 2.41; 4 HOLES WAS 4 SLOTS PER DCN #5904 RCM	WUH	4/14/98
1	RELEASED PER DCN 5337	WUH	11/14/97

THE DESIGN AND DIMENSIONS OF THE PRODUCT SHOWN ON THIS DRAWING ARE SUBJECT TO CHANGE WITHOUT NOTICE

TITLE  
STAINLESS STEEL  
SHORE POWER INLET

TOLERANCES UNLESS OTHERWISE SPECIFIED  
FRACTIONS ±1/64  
DECIMALS ±.005  
ANGLES ±2°

WIRING DEVICE-KELLEMS  
HUBBELL INCORPORATED  
BRIDGEPORT, CT  
DR. BY SRE APP. BY WUH  
TR. BY SCALE 1:1  
CHK'D BY WUH DATE 9/22/97

DIMENSION SHEET FOR CAT. NO.  
SEE TABLE

REPAIRABLE  NON-REPAIRABLE

B  
M-7808

(W)