

Wallplates  
 Weatherproof Covers for Flanged Devices  
 for Flanged Inlets and Flanged Receptacles

# HUBBELL

## Ordering Information

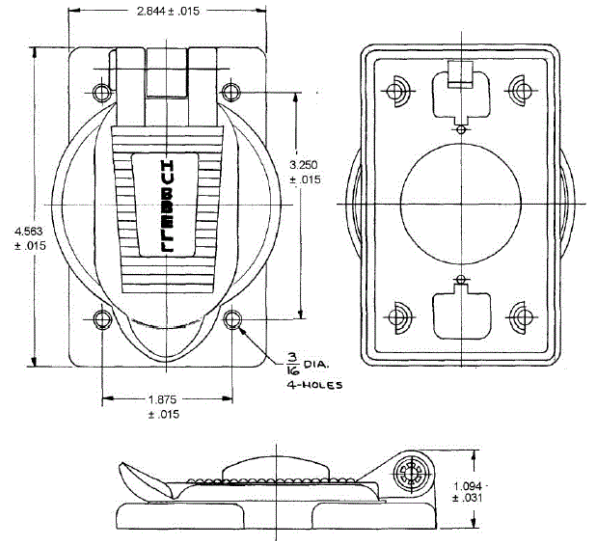
Description	Color	Catalog Number	UPC
RTP, gray, for FS/FD Box Mounting.	Gray	WP1	783585392271

## Listings

UL Listed  
 CSA Certified

## Specifications

Material	RTP
Gasket	Neoprene
Spring	Stainless steel
Hinge Pin	Stainless steel



## Online Resources

Customer Use Drawing  
 eCatalog  
 Installation Instructions

Dimensions in Inches (mm)

Hubbell Wiring Device-Kellems • Hubbell Incorporated (Delaware) • 40 Waterview Drive • Shelton, CT 06484

Phone (800) 288-6000 • Fax (800) 255-1031 • Specifications subject to change without notice.

