

## Straight Blade Devices

15A, 125V, 2 Pole, 3 Wire Grounding

# HBL<sup>®</sup> Extra Heavy Duty MAX Hospital Grade Duplex Receptacles

# HUBBELL

## Features

- Unique tamper-resistant contact mechanism prevents injury
- Integral wire leads for fast installation and no exposed live parts
- One-piece nickel-plated brass ground strap
- I.D. marking surface helps in quick circuit identification

## Ordering Information

Description	Device Color	UPC Number	Catalog Number
Tamper-resistant receptacle with wire leads	Gray	783585152240	HBL8200SGGYA

## Listings

UL Listed to UL498 File No. E2186  
CSA Certified 22.2, No. 42 File 285  
Fed. Spec. W-C-596  
NEMA<sup>®</sup> WD-6 Compliant

## Specifications

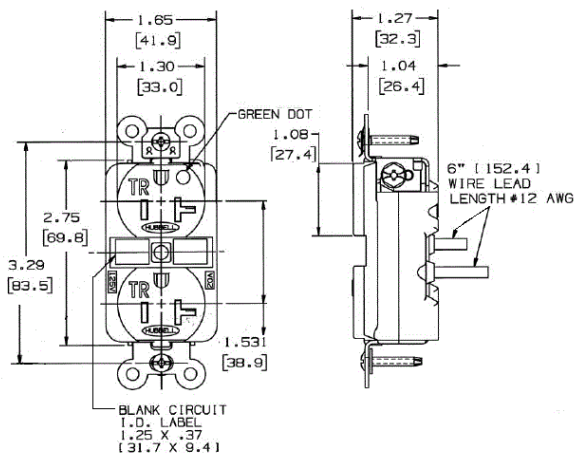
Face	PBT
Base	PBT
Contacts	.037 in. (.9) Nickel plated brass
Lead Wires	6 in. (15.24), #12 AWG 65/30 stranded copper wire
Mounting Strap	.050 in. (1.3) Nickel plated brass
Automatic Self-Grounding Clip	Stainless steel
Mounting Screws	Zinc plated

## Performance

Electrical	
Current Interrupting	Certified for current interrupting at full rated current
Dielectric Voltage	Withstands 2,000V minimum
Mechanical	
Ground Terminal Accommodation	#12-#10 AWG stranded or solid copper wire only
Product Identification	Ratings are a permanent part of the device
Terminal Identification	Terminals identified in accordance with UL 498 and CSA
Environmental	
Flammability	UL 94V-0 and UL 94-5 VA
IP Suitability	IP20
Operating Temperatures	Maximum continuous 75°C; minimum -40°C (w/o impact)



15A 125V AC  
NEMA 5-15R  
UL CSA  
0.5 HP



## Complementary Products

Wallplate or Weatherproof Cover

Duplex Opening

## Online Resources

Customer Sales Drawings  
eCatalog  
Installation Instructions

Dimensions in Inches (mm)

Hubbell Wiring Device-Kellems • Hubbell Incorporated (Delaware) • 40 Waterview Drive • Shelton, CT 06484

Phone (800) 288-6000 • Fax (800) 255-1031 • Specifications subject to change without notice.

